



MASON INDUSTRIES, Inc.

Manufacturers of Vibration Control Products

350 Rabro Drive
Hauppauge, NY 11788
631/348-0282
FAX 631/348-0279
Info@Mason-Ind.com

2101 W. Crescent Ave., Suite D
Anaheim, CA 92801
714/535-2727
FAX 714/535-5738
Info@MasonAnaheim.com
www.Mason-Ind.com

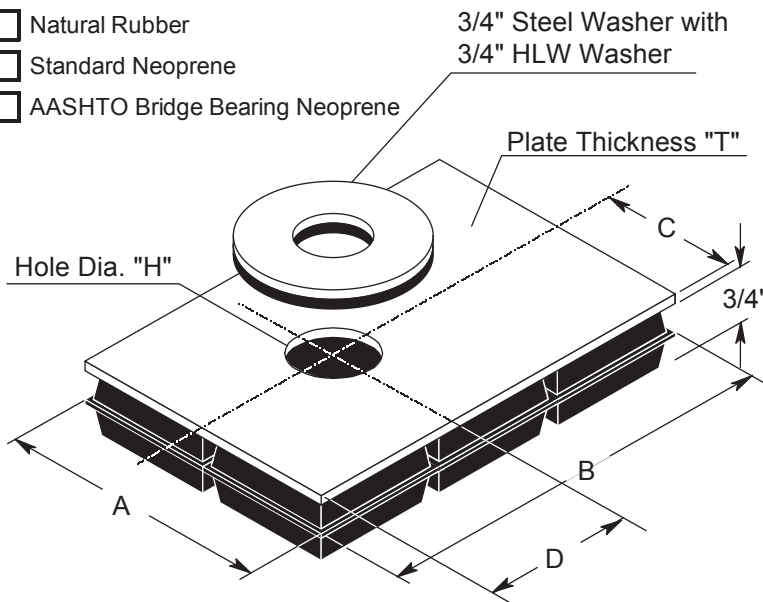
JOB NAME _____
CUSTOMER _____
CUSTOMER P.O. _____
MASON M. _____
DWG No. _____

MBSW

WAFFLE PAD

MATERIAL:

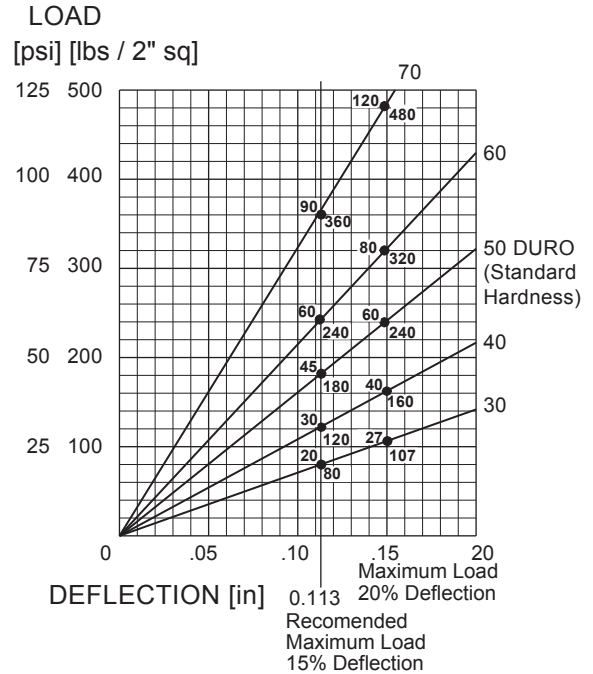
- Natural Rubber
- Standard Neoprene
- AASHTO Bridge Bearing Neoprene



TYPE MBSW LOAD RATINGS per SQUARE

Durometer	Recommended Load per 2x2" sq.		Recommended Load per Area		Maximum Load per Area	
	[lbs]	[kg]	[lbs/in ²]	[kg/mm ²]	[lbs/in ²]	[kg/mm ²]
30	80	35	20	.014	27	.019
40	120	55	30	.021	40	.028
Standard 50	180	80	45	.032	60	.042
60	240	110	60	.042	80	.056
70	360	165	90	.063	120	.084

Load Deflection Curves



Actual Pads Sizes are as scheduled below.

CERTIFICATION DATA

TAG: _____

UNIT: _____

PLAN VIEW OF PAD LOCATION:



1:	6:
2:	7:
3:	8:
4:	9:
5:	10:
Material for One Set:	Sets Required:

Type Super MBSW Dimensions (inches) (mm)

A	B	C	D	T	H

Durometer of Pad Material to be: _____ DURO