



MASON INDUSTRIES, Inc.

Manufacturers of Vibration Control Products

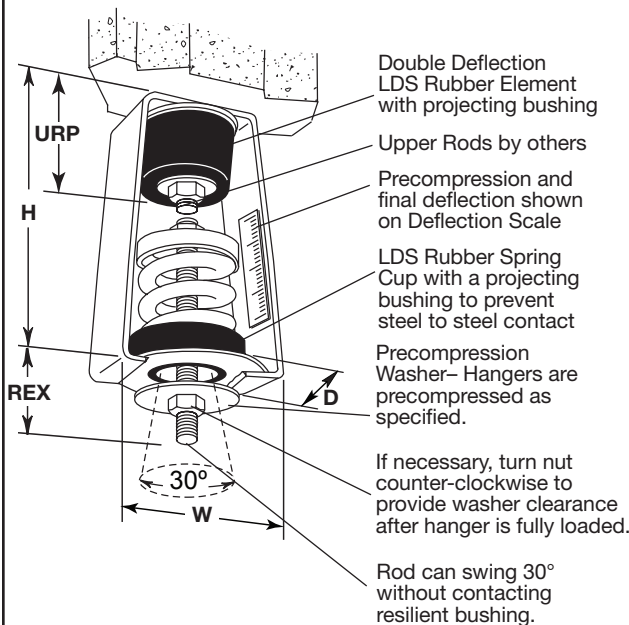
350 Rabro Drive
Hauppauge, NY 11788
631/348-0282
FAX 631/348-0279
Info@Mason-Ind.com

2101 W. Crescent Ave., Suite D
Anaheim, CA 92801
714/535-2727
FAX 714/535-5738
Info@MasonAnaheim.com
www.Mason-Ind.com

JOB NAME _____
 CUSTOMER _____
 CUSTOMER P.O. _____
 MASON M. _____
 DWG No. _____

PC30N

1" 25mm Deflection
 X, A, B, C, D & F
 Precompressed
 Series Hangers



LDS stands for **Low Dynamic Stiffness Bridge Bearing**
 Natural Rubber to minimize noise and vibration transmission.

TYPE PC30N RATINGS

Type and Size	Rated Capacity (lbs) (kg)		Rated Deflection† (in) (mm)		Spring Constant†† (lbs/in) (kg/mm)		Avg LDS Deflection (in) (mm)	Spring Color/Stripe
PC30N-X-12	12	5	1.45	37	10	0.18	0.20 5.1	Orange
PC30N-X-23	23	10	1.50	38	18	0.30		Brown
PC30N-X-33	33	15	1.30	33	30	0.54		Red
PC30N-X-54	54	24	1.40	36	45	0.80		White
PC30N-X-76	76	34	1.22	31	73	1.36		Black
PC30N-X-113	113	51	1.20	30	113	2.04		Yellow
PC30N-X-130	130	59	1.20	30	130	2.36		Purple
PC30N-X-175	175	79	1.20	30	175	3.16	Silver	
PC30N-X-210	210	95	1.20	30	210	3.80	Blue	
PC30N-A-12	12	5	1.35	34	12	0.20	0.35 8.9	Red
PC30N-A-18	18	8	1.35	34	18	0.32		Gray
PC30N-A-25	25	11	1.35	34	25	0.44		Orange
PC30N-A-41	41	19	1.53	39	35	0.63		Pink
PC30N-A-56	56	25	1.49	38	49	0.83		Black
PC30N-A-73	73	33	1.41	36	69	1.22		Tan
PC30N-A-95	95	43	1.36	35	94	1.65		Green
PC30N-B-138	138	63	1.67	42	105	1.85	0.35 8.9	White
PC30N-B-222	222	101	1.51	38	191	3.48		Blue
PC30N-B-278	278	126	1.44	37	255	4.50		Purple
PC30N-B-336	336	152	1.35	34	336	6.08		Silver
PC30N-B-410	410	186	1.42	36	385	6.89		Black
PC30N-B-540	540	245	1.35	34	540	9.80		Yellow
PC30N-C-630	630	286	1.53	39	558	9.86		0.40 10
PC30N-C-800	800	363	1.40	36	800	14.52	Orange	
PC30N-C-1010	1010	458	1.50	38	920	16.36	Green	
PC30N-C-1265	1265	574	1.40	36	1265	22.96	Red	
PC30N-D-1575	1575	714	1.63	41	1280	23.03	0.40 10	Pink
PC30N-D-2150	2150	975	1.43	36	2095	37.50		Purple
PC30N-F-2760	2760	1252	1.40	36	2760	50.08	0.40 10	Silver

† includes double deflection LDS Rubber element.

†† applies to spring only.

TYPE PC30N DIMENSIONS

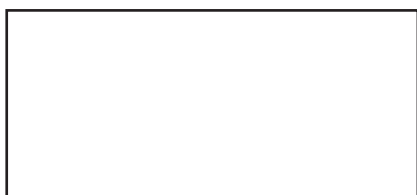
Size Range	D		H		W		REX		URP		MRD	
	(in)	(mm)	(in)	(mm)	(in)	(mm)	(in)	(mm)	(in)	(mm)	(in)	(mm)
PC30N-X-12-210	2 1/2	64	5 1/2	140	27/8	73	2 1/4	57	1 3/4	44	3/8	10
PC30N-A-12-25	2 3/4	70	6 3/4	171	3 1/4	83	2 1/4	57	2 1/4	57	5/8	16
PC30N-A-41-95	2 3/4	70	6 3/4	171	3 1/4	83	2 1/4	57	2 1/4	57	5/8	16
PC30N-B-138-540	4	102	6 3/4	171	4 3/4	121	2 1/4	57	2 3/4	70	5/8	16
PC30N-C-630-1265	4 3/4	121	9	229	5 1/4	133	2 1/2	64	3	76	3/4	19
PC30N-D-1575-2150	4 3/4	121	12 1/2	318	5 3/4	146	2 1/2	64	4 1/4	108	7/8	22
PC30N-F-2760	6	152	14 1/2	368	6 1/4	159	2 1/2	64	5	127	7/8	22

REX - Rod Extension
 URP - Upper Rod Penetration
 MRD - Maximum Rod Diameter

All springs have additional travel to solid equal to 50% of the Rated Deflection. Hanger elements have straight line deflection curves.

PLAN VIEW OF HANGER LOCATIONS

TAG: _____
 UNIT: _____



SPECIFIED DEFLECTION

1:	6:
2:	7:
3:	8:
4:	9:
5:	10:
Sets Required:	



MASON INDUSTRIES, Inc.

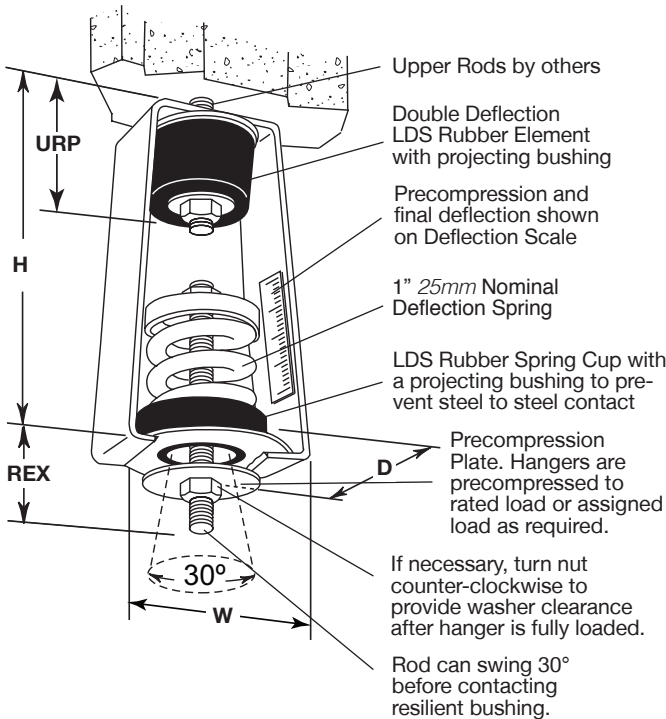
Manufacturers of Vibration Control Products

350 Rabro Drive 2101 W. Crescent Ave., Suite D
 Hauppauge, NY 11788 Anaheim, CA 92801
 631/348-0282 714/535-2727
 FAX 631/348-0279 FAX 714/535-5738
 Info@Mason-Ind.com • www.Mason-Ind.com

JOB NAME _____
 CUSTOMER _____
 CUSTOMER P.O. _____
 MASON M. _____
 DWG No. _____

SSPC30N

Stainless Steel 316
 1" 25mm Deflection
 A, B, C & E Series
 Precompressed
 Hangers



TYPE SSPC30N RATINGS

Type and Size	Rated Capacity (lbs) (kg)	Rated Deflection† (in) (mm)	Spring Constant†† (lbs/in) (kg/mm)	Avg LDS Deflection (in) (mm)	Spring Color Stripe
SSPC30N-A-12	12 5	1.35 34	12 0.22	0.35 9	White Black Red Green Blue
SSPC30N-A-25	25 11	1.35 34	25 0.45		
SSPC30N-A-40	40 18	1.35 34	40 0.72		
SSPC30N-A-73	73 33	1.35 34	73 1.32		
SSPC30N-A-100	100 45	1.35 34	100 1.81		
SSPC30N-B-115	115 52	1.35 34	115 2.08	0.35 9	Yellow Purple Silver Brown
SSPC30N-B-150	150 68	1.35 34	150 2.71		
SSPC30N-B-200	200 90	1.35 34	200 3.62		
SSPC30N-B-300	300 136	1.35 34	300 5.43		
SSPC30N-C-400	400 181	1.40 36	400 7.24	0.40 10	Orange Tan
SSPC30N-C-535	535 242	1.40 36	535 9.68		
SSPC30N-E-650	650 295	1.40 36	650 11.75	0.40 10	Gray White
SSPC30N-E-875	875 397	1.40 36	875 15.84		

† includes double deflection LDS Rubber element.

†† applies to spring only.

LDS stands for **Low Dynamic Stiffness** AASHTO Bridge Bearing Natural Rubber to minimize noise and vibration transmission. Maximum Dynamic Stiffness is 1.4.

All steel, including springs, is Stainless Steel 316.

REX - Rod Extension
 URP - Upper Rod Penetration
 MRD - Maximum Rod Diameter

TYPE SSPC30N DIMENSIONS

Size Range	D - Depth (in) (mm)		H - Height (in) (mm)		W - Width (in) (mm)		REX (in) (mm)		URP (in) (mm)		MRD (in) (mm)	
SSPC30N-A-12-100	23/4	70	71/4	184	31/4	82	21/2	64	21/2	64	5/8	16
SSPC30N-B-115-300	4	102	8	203	43/4	119	21/2	64	21/2	64	5/8	16
SSPC30N-C-400-535	43/4	121	103/4	273	51/4	133	21/2	64	31/4	82	3/4	19
SSPC30N-E-650	5	127	13	330	6	152	61/4	159	31/4	82	3/4	19
SSPC30N-E-875	5	127	13	330	6	152	8	203	31/4	82	3/4	19

All springs have additional travel to solid equal to 50% of the Rated Deflection. Hanger elements have straight line deflection curves.

NOTE: Standard sizes shown. For heavier capacities, consult factory.

PLAN VIEW OF HANGER LOCATIONS

TAG: _____
 UNIT: _____



SPECIFIED DEFLECTION

1:	6:
2:	7:
3:	8:
4:	9:
5:	10:
Sets Required:	



MASON INDUSTRIES, Inc.

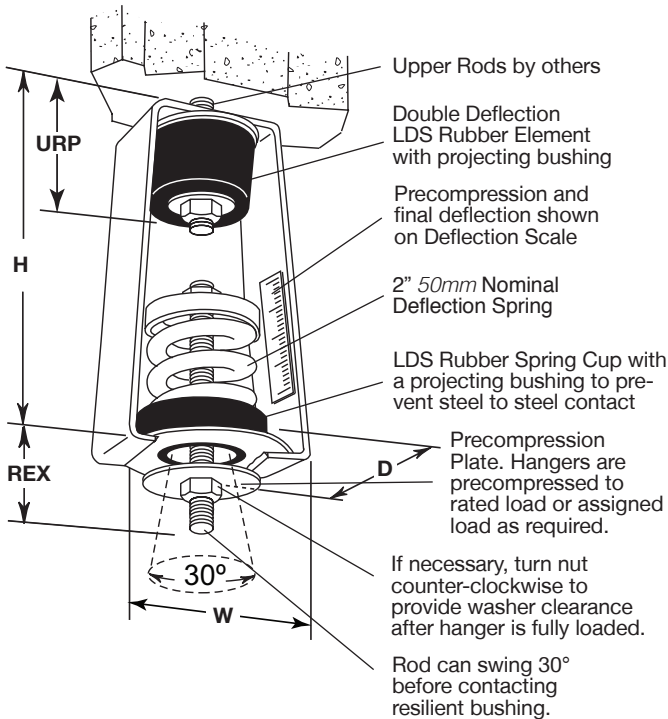
Manufacturers of Vibration Control Products

350 Rabro Drive 2101 W. Crescent Ave., Suite D
 Hauppauge, NY 11788 Anaheim, CA 92801
 631/348-0282 714/535-2727
 FAX 631/348-0279 FAX 714/535-5738
 Info@Mason-Ind.com • www.Mason-Ind.com

JOB NAME _____
 CUSTOMER _____
 CUSTOMER P.O. _____
 MASON M. _____
 DWG No. _____

SSPC30N

Stainless Steel 316
 2" 50mm Deflection
 B, C, D, E, F & G Series
 Precompressed
 Hangers



TYPE SSPC30N RATINGS

Type and Size	Rated Capacity (lbs) (kg)		Rated Deflection [†] (in) (mm)		Spring Constant ^{††} (lbs/in) (kg/mm)		Avg LDS Deflection (in) (mm)		Spring Color Stripe
SSPC30N-B-30	30	14	2.35	59	15	0.27			White
SSPC30N-B-45	45	20	2.35	59	23	0.41	0.35	9	Black
SSPC30N-B-70	70	32	2.35	59	35	0.64			Red
SSPC30N-C-100	100	45	2.40	60	50	0.91	0.40	10	Green
SSPC30N-C-140	140	64	2.40	60	70	1.27			Blue
SSPC30N-D-200	200	91	2.40	60	100	1.82	0.40	10	Yellow
SSPC30N-D-275	275	125	2.40	60	138	2.50			Purple
SSPC30N-E-375	375	170	2.40	60	188	3.41	0.40	10	Silver
SSPC30N-F-500	500	227	2.40	60	250	4.55	0.40	10	Brown
SSPC30N-G-670	670	305	2.40	60	335	6.09	0.40	10	Orange

[†] includes double deflection LDS Rubber element.

^{††} applies to spring only.

All steel, including springs, is Stainless Steel 316.

LDS stands for Low Dynamic Stiffness AASHTO Bridge Bearing Natural Rubber to minimize noise and vibration transmission. Maximum Dynamic Stiffness is 1.4.

TYPE SSPC30N DIMENSIONS

Size Range	D - Depth (in) (mm)		H - Height (in) (mm)		W - Width (in) (mm)		REX (in) (mm)		URP (in) (mm)		MRD (in) (mm)	
SSPC30N-B-30-70	4	102	8	203	43/4	119	21/2	64	21/2	64	5/8	16
SSPC30N-C-100-140	43/4	121	103/4	273	51/4	133	21/2	64	31/4	82	3/4	19
SSPC30N-D-200-275	43/4	121	121/2	318	53/4	146	21/2	64	31/2	89	3/4	19
SSPC30N-E-375	5	127	13	330	6	152	21/2	64	31/2	89	3/4	19
SSPC30N-F-500	6	152	141/2	368	61/4	159	21/2	64	31/2	89	3/4	19
SSPC30N-G-670	6	152	151/2	394	71/4	184	21/2	64	31/2	89	3/4	19

REX - Rod Extension
 URP - Upper Rod Penetration
 MRD - Maximum Rod Diameter

All springs have additional travel to solid equal to 50% of the Rated Deflection. Hanger elements have straight line deflection curves.

NOTE: Standard sizes shown. For heavier capacities, consult factory.

PLAN VIEW OF HANGER LOCATIONS

TAG: _____
 UNIT: _____



SPECIFIED DEFLECTION

1:	6:
2:	7:
3:	8:
4:	9:
5:	10:
Sets Required:	



MASON INDUSTRIES, Inc.

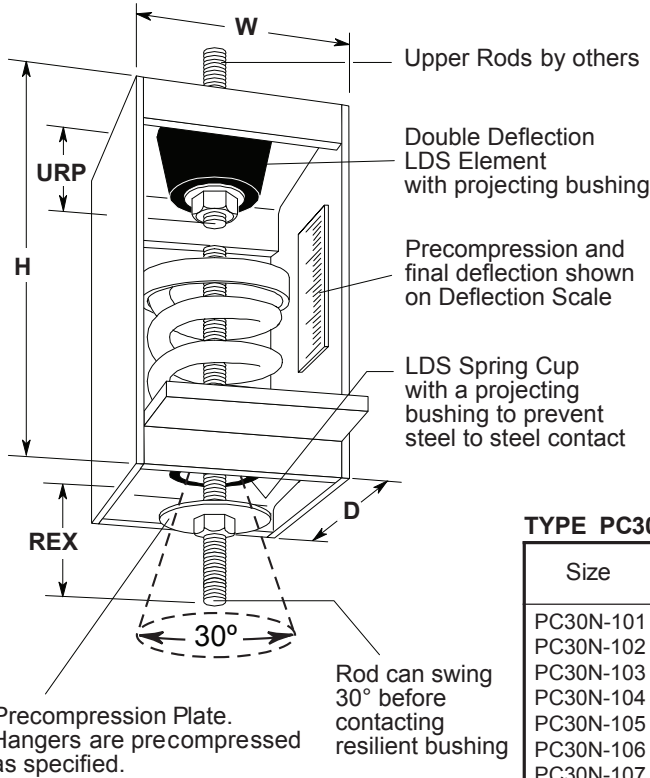
Manufacturers of Vibration Control Products
 350 Rabro Drive 2101 W. Crescent Ave., Suite D
 Hauppauge, NY 11788 Anaheim, CA 92801
 631/348-0282 714/535-2727
 FAX 631/348-0279 FAX 714/535-5738
 Info@Mason-Ind.com Info@MasonAnaheim.com
 www.Mason-Ind.com

JOB NAME _____
 CUSTOMER _____
 CUSTOMER P.O. _____
 MASON M.I. _____
 DWG. NO. _____

PC30N

2" Deflection
 100 Series
 Precompressed
 Hangers

NOTE: Illustration shows typical construction.
 Components vary depending on capacity.



LDS stands for Low Dynamic Stiffness Bridge Bearing Natural Rubber to minimize noise and vibration transmission.

- REX - Rod Extension
- URP - Upper Rod Penetration
- MRD - Maximum Rod Diameter
- SRD - Recommended Minimum Rod Diameter (to maintain spring stability)

TYPE PC30N RATINGS

Size	Rated Capacity		Rated Deflection†		Spring Constant††		Avg. Def. LDS		Spring Color/Stripe
	lbs	kg	in	mm	lbs/in	kg/mm	in	mm	
PC30N-101	125	57	2.90	74	50	0.77	0.40	10	Purple
PC30N-102	200	91	2.90	74	80	1.23	0.40	10	Brown
PC30N-103	310	141	2.90	74	125	1.91	0.40	10	Pink
PC30N-104	500	227	2.90	74	200	3.07	0.40	10	Green
PC30N-105	740	336	2.80	71	310	4.73	0.40	10	Red
PC30N-106	1050	476	2.50	64	500	7.44	0.40	10	White
PC30N-107	1400	635	2.40	61	700	10.41	0.40	10	Blue
PC30N-108	1660	753	2.45	62	810	12.15	0.40	10	Silver
PC30N-109	2250	1021	2.40	61	1125	16.74	0.40	10	Orange
PC30N-110	3000	1361	2.40	61	1500	22.31	0.40	10	Gray
PC30N-111	4000	1814	2.40	61	2000	29.74	0.40	10	Tan
PC30N-112	5300	2404	2.40	61	2665	39.41	0.40	10	Black
PC30N-113	7100	3221	2.40	61	3550	52.80	0.40	10	Yellow
PC30N-114	9300	4218	2.40	61	4650	69.15	0.40	10	Blue/Orng
PC30N-115	12600	5715	2.40	61	6300	93.69	0.40	10	Blue/Red

† includes double deflection LDS element.
 †† applies to spring.

TYPE PC30N DIMENSIONS

Size	D		H		W		REX		URP		MRD		SRD	
	in	mm	in	mm	in	mm	in	mm	in	mm	in	mm	in	mm
PC30N-101	5	127	13 1/2	343	6	152	4 1/2	114	3 1/4	83	7/8	22	5/8	16
PC30N-102	5	127	13 1/2	343	6	152	4 1/2	114	3 1/4	83	7/8	22	5/8	16
PC30N-103	5	127	13 1/2	343	6	152	4 1/2	114	3 1/4	83	7/8	22	5/8	16
PC30N-104	5	127	13 1/2	343	6	152	4 1/2	114	3 1/4	83	7/8	22	5/8	16
PC30N-105	5	127	13 1/2	343	6	152	4 1/2	114	3 1/4	83	7/8	22	5/8	16
PC30N-106	5	127	13 1/2	343	6	152	4 1/2	114	3 1/4	83	7/8	22	5/8	16
PC30N-107	5	127	13 1/2	343	6	152	4 1/2	114	3 1/4	83	7/8	22	5/8	16
PC30N-108	6	152	15 3/8	391	7 1/4	184	5	127	3 1/4	83	7/8	22	5/8	16
PC30N-109	6	152	15 3/8	391	7 1/4	184	5	127	3 1/4	83	7/8	22	5/8	16
PC30N-110	6	152	16	406	7 1/4	184	5	127	3 1/4	83	7/8	22	3/4	19
PC30N-111	6	152	16	406	7 1/4	184	5	127	3 1/4	83	7/8	22	3/4	19
PC30N-112	7	178	17	432	9 1/4	235	5 1/2	140	3 1/4	83	11/8	29	7/8	22
PC30N-113	7	178	17	432	9 1/4	235	5 1/2	140	3 1/4	83	11/8	29	7/8	22
PC30N-114	8	203	22	559	10	254	5 1/2	140	6 1/2	165	1 1/8	29	1	25
PC30N-115	8	203	22	559	10	254	5 1/2	140	6 1/2	165	1 1/8	29	1	25

All springs have additional travel to solid equal to 50% of Rated Deflection.
 Hanger elements have straight line deflection curves.

PLAN VIEW OF HANGER LOCATIONS

TAG: _____
 UNIT: _____



SPECIFIED DEFLECTION

1:	6:
2:	7:
3:	8:
4:	9:
5:	10:
Sets Required:	



MASON INDUSTRIES, Inc.

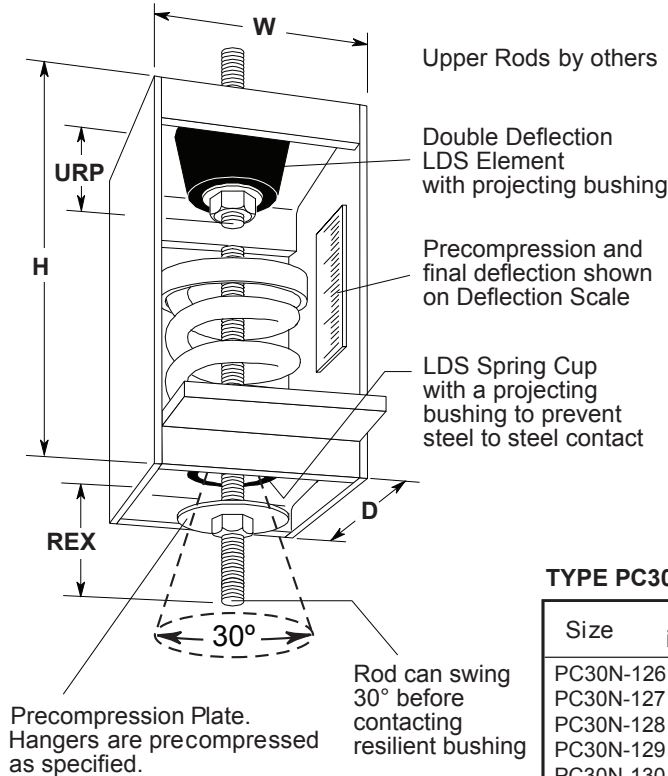
Manufacturers of Vibration Control Products
 350 Rabro Drive 2101 W. Crescent Ave., Suite D
 Hauppauge, NY 11788 Anaheim, CA 92801
 631/348-0282 714/535-2727
 FAX 631/348-0279 FAX 714/535-5738
 Info@Mason-Ind.com Info@MasonAnaheim.com
 www.Mason-Ind.com

JOB NAME _____
 CUSTOMER _____
 CUSTOMER P.O. _____
 MASON M.I. _____
 DWG. NO. _____

PC30N

3" Deflection
 100 Series
 Precompressed
 Hangers

NOTE: Illustration shows typical construction.
 Components vary depending on capacity.



LDS stands for Low Dynamic Stiffness Bridge Bearing Natural Rubber to minimize noise and vibration transmission.

- REX - Rod Extension
- URP - Upper Rod Penetration
- MRD - Maximum Rod Diameter
- SRD - Recommended Minimum Rod Diameter (to maintain spring stability)

TYPE PC30N RATINGS

Size	Rated Capacity lbs	Rated Capacity kg	Rated Deflection in	Rated Deflection mm	Spring Constant lbs/in	Spring Constant kg/mm	Avg. Defl. LDS in	Avg. Defl. LDS mm	Spring Color/Stripe
PC30N-126	195	88	3.65	93	60	0.95	0.40	10	Purple
PC30N-127	280	127	3.65	93	85	1.37	0.40	10	Brown
PC30N-128	390	177	3.65	93	120	1.90	0.40	10	Orange
PC30N-129	520	236	3.65	93	160	2.54	0.40	10	Green
PC30N-130	710	322	3.65	93	220	3.046	0.40	10	Red
PC30N-131	940	426	3.65	93	290	4.58	0.40	10	White
PC30N-132	1280	581	3.65	93	395	6.25	0.40	10	Blue
PC30N-133	1770	803	3.65	93	545	8.63	0.40	10	Black
PC30N-134	2490	1129	3.65	93	765	2.14	0.40	10	Yellow
PC30N-135	3300	1497	3.65	93	1000	16.10	0.40	10	Gray
PC30N-136	4500	2041	3.65	93	1370	21.95	0.40	10	Blue/Brwn
PC30N-137	6200	2818	3.65	93	1900	30.24	0.40	10	Blue/Orng
PC30N-138	8300	3765	3.65	93	2560	40.48	0.40	10	Blue/Red
PC30N-139	11400	5171	3.65	93	3500	55.60	0.40	10	Blue/Wht

† includes double deflection LDS element.
 †† applies to spring.

TYPE PC30N DIMENSIONS

Size	D in	D mm	H in	H mm	W in	W mm	REX in	REX mm	URP in	URP mm	MRD in	MRD mm	SRD in	SRD mm
PC30N-126	5	127	13 1/2	343	6	152	4 1/2	114	3 1/4	83	7/8	22	5/8	16
PC30N-127	5	127	13 1/2	343	6	152	4 1/2	114	3 1/4	83	7/8	22	5/8	16
PC30N-128	5	127	13 1/2	343	6	152	4 1/2	114	3 1/4	83	7/8	22	5/8	16
PC30N-129	5	127	13 1/2	343	6	152	4 1/2	114	3 1/4	83	7/8	22	5/8	16
PC30N-130	6	152	15 3/8	391	7 1/4	184	4 1/2	114	3 1/4	83	7/8	22	5/8	16
PC30N-131	6	152	15 3/8	391	7 1/4	184	4 1/2	114	3 1/4	83	7/8	22	5/8	16
PC30N-132	6	152	15 3/8	391	7 1/4	184	4 1/2	114	3 1/4	83	7/8	22	5/8	16
PC30N-133	7 1/2	191	17 1/2	445	8 1/4	210	4 1/2	114	3 1/4	83	7/8	22	3/4	19
PC30N-134	7 1/2	191	17 1/2	445	8 1/4	210	4 1/2	114	3 1/4	83	7/8	22	3/4	19
PC30N-135	7 1/2	191	17 1/2	445	8 1/4	210	4 1/2	114	3 1/4	83	7/8	22	3/4	19
PC30N-136	8	203	20	508	9	229	5	127	3 1/2	83	7/8	22	7/8	22
PC30N-137	9	229	24	610	11	279	5 1/2	140	6 1/2	83	1 1/8	29	1	25
PC30N-138	9	229	24	610	11	279	5 1/2	140	6 1/2	83	1 1/8	29	1	25
PC30N-139	9	229	25 1/2	648	11	279	5 1/2	140	6 1/2	165	1 1/8	29	1	25

All springs have additional travel to solid equal to 50% of Rated Deflection.
 Hanger elements have straight line deflection curves.

PLAN VIEW OF HANGER LOCATIONS

TAG: _____
 UNIT: _____



SPECIFIED DEFLECTION

1:	6:
2:	7:
3:	8:
4:	9:
5:	10:
Sets Required:	



MASON INDUSTRIES, Inc.

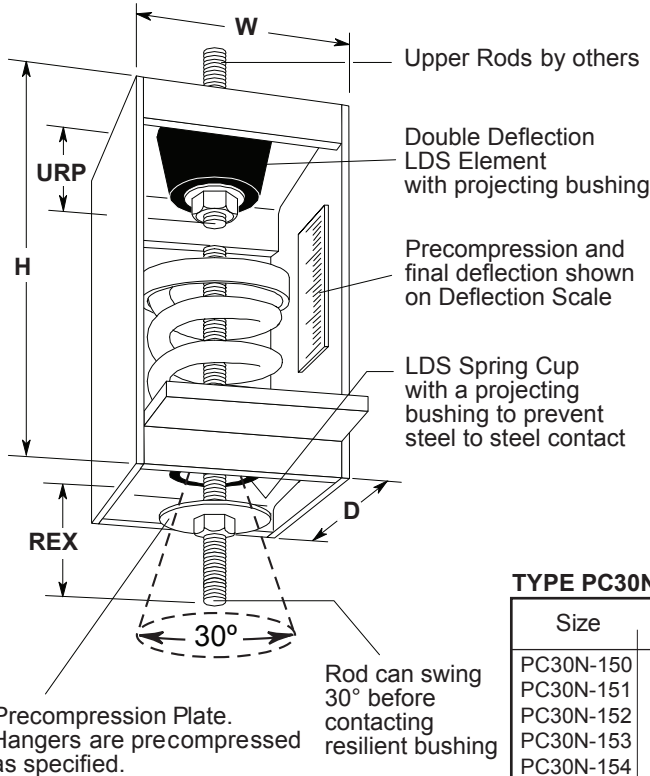
Manufacturers of Vibration Control Products
 350 Rabro Drive 2101 W. Crescent Ave., Suite D
 Hauppauge, NY 11788 Anaheim, CA 92801
 631/348-0282 714/535-2727
 FAX 631/348-0279 FAX 714/535-5738
 Info@Mason-Ind.com Info@MasonAnaheim.com
 www.Mason-Ind.com

JOB NAME _____
 CUSTOMER _____
 CUSTOMER P.O. _____
 MASON M.I. _____
 DWG. NO. _____

PC30N

4" Deflection
 100 Series
 Precompressed
 Hangers

NOTE: Illustration shows typical construction.
 Components vary depending on capacity.



LDS stands for Low Dynamic Stiffness Bridge Bearing Natural Rubber to minimize noise and vibration transmission.

REX - Rod Extension
 URP - Upper Rod Penetration
 MRD - Maximum Rod Diameter
 SRD - Recommended Minimum Rod Diameter (to maintain spring stability)

TYPE PC30N RATINGS

Size	Rated Capacity		Rated Deflection†		Spring Constant††		Avg. Defl. LDS		Color/Stripe
	lbs	kg	in	mm	lbs/in	kg/mm	in	mm	
PC30N-150	240	109	4.78	121	55	0.98	0.40	10	Purple
PC30N-151	330	150	4.78	121	75	1.35	0.40	10	Brown
PC30N-152	420	191	4.78	121	95	1.72	0.40	10	Orange
PC30N-153	530	240	4.78	121	120	2.16	0.40	10	Green
PC30N-154	680	308	4.78	121	155	2.77	0.40	10	Red
PC30N-155	880	399	4.78	121	200	3.59	0.40	10	White
PC30N-156	1120	508	4.78	121	255	4.58	0.40	10	Blue
PC30N-157	1420	644	4.78	121	325	5.80	0.40	10	Black
PC30N-158	1840	835	4.78	121	420	7.52	0.40	10	Yellow
PC30N-159	2370	1075	4.78	121	540	9.68	0.40	10	Gray
PC30N-160	3000	1361	4.78	121	695	12.26	0.40	10	Blue/Brown
PC30N-161	3900	1769	4.78	121	895	15.94	0.40	10	Blue/Red
PC30N-162	5100	2313	4.78	121	1155	20.84	0.40	10	Blue/Orange
PC30N-163	6500	2948	4.78	121	1485	26.56	0.40	10	Blue/White
PC30N-164	8400	3810	4.78	121	1910	34.32	0.40	10	Blue/Silver
PC30N-165	10800	4899	4.78	121	2455	44.41	0.40	10	Blue/Gray

† includes double deflection LDS element.
 †† applies to spring.

TYPE PC30N DIMENSIONS

Size	D		H		W		REX		URP		MRD		SRD	
	in	mm	in	mm	in	mm	in	mm	in	mm	in	mm	in	mm
PC30N-150	6	152	153/8	391	71/4	184	5	127	31/4	83	7/8	22	5/8	16
PC30N-151	6	152	153/8	391	71/4	184	5	127	31/4	83	7/8	22	5/8	16
PC30N-152	6	152	153/8	391	71/4	184	5	127	31/4	83	7/8	22	5/8	16
PC30N-153	6	152	153/8	391	71/4	184	5	127	31/4	83	7/8	22	5/8	16
PC30N-154	7 1/2	181	17 1/2	445	8 1/4	210	5	127	3 1/4	83	7/8	22	5/8	16
PC30N-155	7 1/2	181	17 1/2	445	8 1/4	210	5	127	3 1/4	83	7/8	22	5/8	16
PC30N-156	7 1/2	181	17 1/2	445	8 1/4	210	5	127	3 1/4	83	7/8	22	5/8	16
PC30N-157	7 1/2	181	17 1/2	445	8 1/4	210	5	127	3 1/4	83	7/8	22	5/8	16
PC30N-158	8	203	20	508	9	229	5	127	3 1/4	83	7/8	22	5/8	16
PC30N-159	8	203	20	508	9	229	5 1/2	140	3 1/4	83	7/8	22	5/8	16
PC30N-160	9	229	24	610	11	279	6 1/2	165	6 1/2	165	1 1/8	29	3/4	19
PC30N-161	9	229	24	610	11	279	6 1/2	165	6 1/2	165	1 1/8	29	3/4	19
PC30N-162	9 1/2	241	26 1/2	673	12 1/4	311	6 1/2	165	6 1/2	165	1 1/8	29	1	25
PC30N-163	9 1/2	241	26 1/2	673	12 1/4	311	6 1/2	165	6 1/2	165	1 1/8	29	1	25
PC30N-164	9 1/2	241	26 1/2	673	12 1/4	311	6 1/2	165	6 1/2	165	1 1/8	29	1	25
PC30N-165	10	254	28	711	12 1/4	311	6 1/2	165	6 1/2	165	1 1/8	29	1	25

PLAN VIEW OF HANGER LOCATIONS

TAG: _____
 UNIT: _____



SPECIFIED DEFLECTION

1:	6:
2:	7:
3:	8:
4:	9:
5:	10:
Sets Required:	



MASON INDUSTRIES, Inc.

Manufacturers of Vibration Control Products

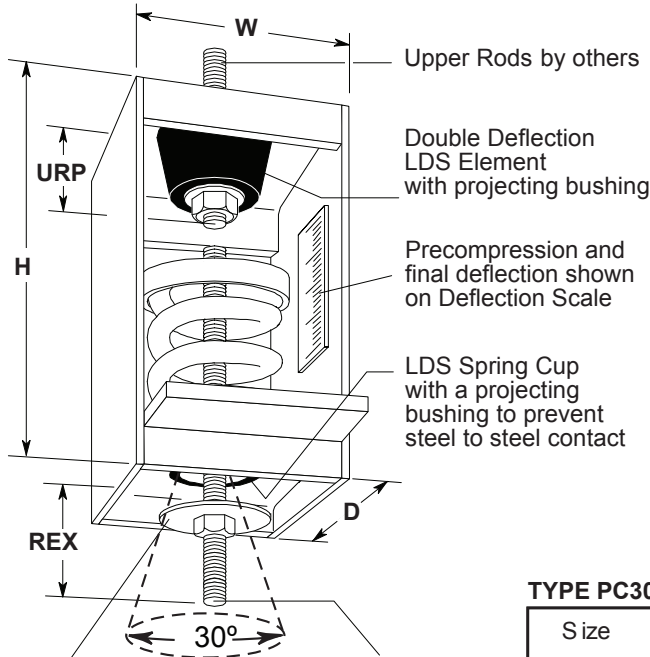
350 Rabro Drive 2101 W. Crescent Ave., Suite D
 Hauppauge, NY 11788 Anaheim, CA 92801
 631/348-0282 714/535-2727
 FAX 631/348-0279 FAX 714/535-5738
 Info@Mason-Ind.com Info@MasonAnaheim.com
 www.Mason-Ind.com

JOB NAME _____
 CUSTOMER _____
 CUSTOMER P.O. _____
 MASON M.I. _____
 DWG. NO. _____

PC30N

5" Deflection
 100 Series
 Precompressed
 Hangers

NOTE: Illustration shows typical construction.
 Components vary depending on capacity.



Precompression Plate.
 Hangers are precompressed
 as specified.

LDS stands for Low Dynamic Stiffness Bridge Bearing
 Natural Rubber to minimize noise and vibration
 transmission.

All springs have additional travel to solid
 equal to 50% of Rated Deflection.
 Hanger elements have straight line
 deflection curves.

- REX - Rod Extension
- URP - Upper Rod Penetration
- MRD - Maximum Rod Diameter
- SRD - Recommended Minimum Rod Diameter
 (to maintain spring stability)

TYPE PC30N RATINGS

Size	Rated Capacity lbs	Rated Capacity kg	Rated Deflection† in	Rated Deflection† mm	Spring Constant†† lbs/in	Spring Constant†† kg/mm	Avg. Defl. LDS in	Avg. Defl. LDS mm	Spring Color/ Stripe
PC30N-174	270	122	5.71	145	50	0.90	0.40	10	Purple
PC30N-175	320	145	5.71	145	60	1.07	0.40	10	Brown
PC30N-176	370	168	5.71	145	70	1.24	0.40	10	Orange
PC30N-177	460	209	5.78	147	85	1.53	0.40	10	Green
PC30N-178	560	254	5.78	147	105	1.85	0.40	10	Red
PC30N-179	670	304	5.78	147	125	2.22	0.40	10	White
PC30N-180	830	376	5.78	147	155	2.74	0.40	10	Blue
PC30N-181	1000	454	5.78	147	185	3.31	0.40	10	Black
PC30N-182	1240	562	5.78	147	230	4.13	0.40	10	Yellow
PC30N-183	1500	680	5.77	147	280	5.00	0.40	10	Gray
PC30N-184	1830	830	5.77	147	340	6.10	0.40	10	Pink
PC30N-185	2230	1012	5.77	147	415	7.44	0.40	10	Silver
PC30N-186	2710	1229	5.77	147	505	9.04	0.40	10	Tan
PC30N-187	3300	1497	5.77	147	615	11.01	0.40	10	Blue/Orange
PC30N-188	4100	1860	5.77	147	755	13.68	0.40	10	Blue/Red
PC30N-189	4900	2223	5.77	147	915	16.35	0.40	10	Blue/White
PC30N-190	6000	2722	5.77	147	1120	20.01	0.40	10	Blue/Yellow
PC30N-191	7300	3311	5.77	147	1365	24.35	0.40	10	Blue/Silver
PC30N-192	9000	4082	5.77	147	1670	30.01	0.40	10	Blue/Grey
PC30N-193	11000	4990	5.77	147	2040	36.69	0.40	10	Blue/Tan

† includes double deflection LDS element.
 †† applies to spring.

TYPE PC30N DIMENSIONS

Size	D		H		W		REX		URP		MRD		SRD	
	in	mm	in	mm	in	mm	in	mm	in	mm	in	mm	in	mm
PC30N-174	7	178	16	406	9 1/4	235	5	127	3 1/4	83	3/4	19	5/8	16
PC30N-175	7	178	16	406	9 1/4	235	5	127	3 1/4	83	3/4	19	5/8	16
PC30N-176	7	178	16	406	9 1/4	235	5	127	3 1/4	83	3/4	19	5/8	16
PC30N-177	7	178	16	406	9 1/4	235	5	127	3 1/4	83	3/4	19	5/8	16
PC30N-178	7	178	16	406	9 1/4	235	5	127	3 1/4	83	3/4	19	5/8	16
PC30N-179	8	203	19	483	10	254	5 1/2	140	3 1/2	89	3/4	19	5/8	16
PC30N-180	8	203	19	483	10	254	5 1/2	140	3 1/2	89	3/4	19	5/8	16
PC30N-181	8	203	19	483	10	254	5 1/2	140	3 1/2	89	3/4	19	5/8	16
PC30N-182	8	203	19	483	10	254	5 1/2	140	3 1/2	89	3/4	19	5/8	16
PC30N-183	9	229	21	533	11 1/4	286	6	152	3 1/2	89	7/8	22	3/4	19
PC30N-184	9	229	21	533	11 1/4	286	6	152	3 1/2	89	7/8	22	3/4	19
PC30N-185	9	229	21	533	11 1/4	286	6	152	3 1/2	89	7/8	22	3/4	19
PC30N-186	9	229	21	533	11 1/4	286	6	152	3 1/2	89	7/8	22	3/4	19
PC30N-187	9 1/2	241	26 1/2	673	12 1/4	311	6	152	6 1/2	165	7/8	22	7/8	22
PC30N-188	9 1/2	241	26 1/2	673	12 1/4	311	6	152	6 1/2	165	7/8	22	7/8	22
PC30N-189	9 1/2	241	26 1/2	673	12 1/4	311	6	152	6 1/2	165	7/8	22	7/8	22
PC30N-190	10	254	28	711	12 1/4	311	6 1/2	165	6 1/2	165	1 1/8	29	1	25
PC30N-191	10	254	28	711	12 1/4	311	6 1/2	165	6 1/2	165	1 1/8	29	1	25
PC30N-192	10 1/2	268	30	762	13 1/4	367	6 1/2	165	6 1/2	165	1 1/8	29	1	25
PC30N-193	10 1/2	268	30	762	13 1/4	367	6 1/2	165	6 1/2	165	1 1/8	29	1	25

PLAN VIEW OF HANGER LOCATIONS

TAG: _____
 UNIT: _____



SPECIFIED DEFLECTION

1:	6:
2:	7:
3:	8:
4:	9:
5:	10:
Sets Required:	