



# MASON INDUSTRIES, Inc.

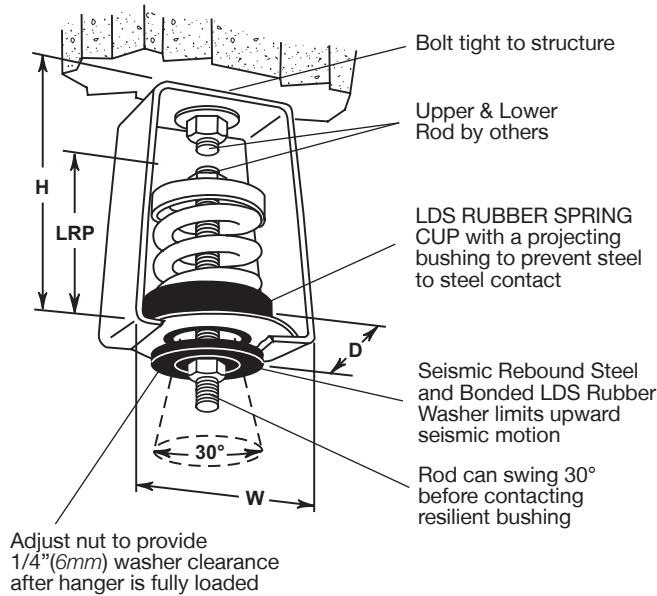
Manufacturers of Vibration Control Products

350 Rabro Drive                      2101 W. Crescent Ave., Suite D  
 Hauppauge, NY 11788              Anaheim, CA 92801  
 631/348-0282                          714/535-2727  
 FAX 631/348-0279                      FAX 714/535-5738  
 Info@Mason-Ind.com • www.Mason-Ind.com

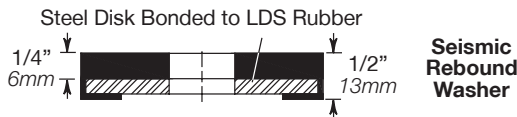
JOB NAME \_\_\_\_\_  
 CUSTOMER \_\_\_\_\_  
 CUSTOMER P.O. \_\_\_\_\_  
 MASON M. \_\_\_\_\_  
 DWG No. \_\_\_\_\_

# RW30

1" (25mm) Deflection  
 X, A, B, C, D & F  
 Series Spring  
 Hangers with  
 Rebound Washers



**LDS** stands for **Low Dynamic Stiffness** AASHTO Bridge Bearing Natural Rubber to minimize noise and vibration transmission. Maximum Dynamic Stiffness is 1.4.



### TYPE RW30 RATINGS

Type and Size	Rated Capacity (lbs) (kg)	Rated Deflection (in) (mm)	Spring Constant (lbs/in) (kg/mm)	Spring Color/Stripe
RW30-X-12	12 5	1.25 32	10 0.2	Orange
RW30-X-23	23 10	1.30 33	18 0.3	Brown
RW30-X-33	33 15	1.10 28	30 0.5	Copper
RW30-X-54	54 24	1.20 30	45 0.8	White
RW30-X-76	76 34	1.00 25	73 1.4	Black
RW30-X-113	113 51	1.00 25	113 2.1	Brass
RW30-X-130	130 59	1.00 25	130 2.4	Purple
RW30-X-175	175 79	1.00 25	175 3.2	Silver
RW30-X-210	210 95	1.00 25	210 3.8	Blue
RW30-A-12	12 5	1.00 25	12 0.2	Copper
RW30-A-18	18 8	1.00 25	18 0.3	Gray
RW30-A-25	25 11	1.00 25	25 0.4	Orange
RW30-A-41	41 19	1.18 30	35 0.6	Pink
RW30-A-56	56 25	1.14 30	49 0.8	Black
RW30-A-73	73 33	1.06 27	69 1.2	Tan
RW30-A-95	95 43	1.01 26	94 1.7	Green
RW30-B-138	138 63	1.32 34	105 1.9	White
RW30-B-222	222 101	1.16 29	191 3.5	Blue
RW30-B-278	278 126	1.09 28	255 4.5	Purple
RW30-B-336	336 152	1.00 25	336 6.1	Silver
RW30-B-410	410 186	1.07 27	385 6.9	Black
RW30-B-540	540 245	1.00 25	540 9.8	Yellow
RW30-C-630	630 286	1.13 29	558 9.9	Gray
RW30-C-800	800 363	1.00 25	800 14.5	Orange
RW30-C-1010	1010 458	1.10 28	920 16.4	Green
RW30-C-1265	1265 574	1.00 25	1265 23.0	Red
RW30-D-1575	1575 714	1.23 31	1280 23.1	Pink
RW30-D-2150	2150 975	1.03 26	2095 37.5	Purple
RW30-F-2760	2760 1252	1.00 25	2760 50.1	Silver

### TYPE RW30 DIMENSIONS

Size Range	D - Depth (in) (mm)		H - Height (in) (mm)		W - Width (in) (mm)		LRP (in) (mm)		MRD (in) (mm)	
RW30-X-12-210	2 1/2	64	4 1/4	108	2 7/8	73	3 1/2	89	3/8	10
RW30-A-12-25	2 3/4	70	5 3/4	146	3 1/4	83	3 1/2	89	5/8	16
RW30-A-41-95	2 3/4	70	5 3/4	146	3 1/4	83	4	102	5/8	16
RW30-B-138-540	4	102	7 1/4	184	4 3/4	121	4 1/4	108	5/8	16
RW30-C-630-1265	4	102	8 3/4	222	5 1/4	132	5	127	3/4	19
RW30-D-1575-2150	4 3/4	121	12 1/2	318	5 3/4	146	7	178	7/8	22
RW30-F-2760	6	152	12	305	6 1/4	159	7	178	7/8	22

LRP - Lower Rod Penetration  
 MRD - Maximum Rod Diameter

All springs have additional travel to solid equal to 50% of the Rated Deflection.

### PLAN VIEW OF HANGER LOCATIONS

TAG: \_\_\_\_\_  
 UNIT: \_\_\_\_\_



### SPECIFIED DEFLECTION

1:	6:
2:	7:
3:	8:
4:	9:
5:	10:
Sets Required:	