



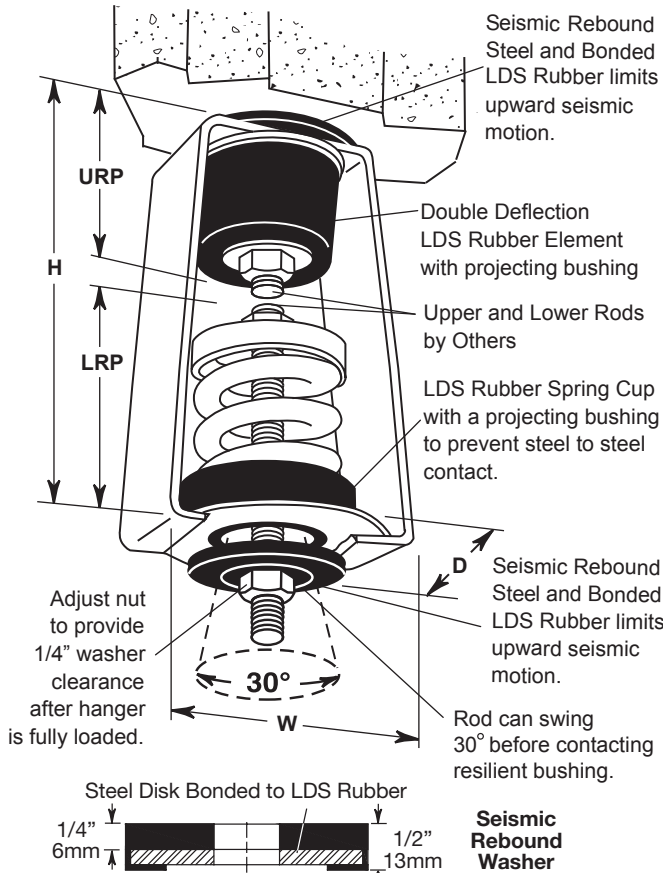
MASON INDUSTRIES, Inc.

Manufacturers of Vibration Control Products
 350 Rabro Drive 2101 W. Crescent Ave., Suite D
 Hauppauge, NY 11788 Anaheim, CA 92801
 631/348-0282 714/535-2727
 FAX 631/348-0279 FAX 714/535-5738
 Info@Mason-Ind.com Info@MasonAnaheim.com
 www.Mason-Ind.com

JOB NAME _____
 CUSTOMER _____
 CUSTOMER P.O. _____
 MASON M.I. _____
 DWG. NO. _____

RW30N

1" (25mm) Defl.
 X, A, B, C, D & F
 Series Seismic
 Hangers



TYPE RW30N RATINGS

Size	Rated Capacity (lbs)	Rated Capacity (kg)	Rated Defl.† (in)	Rated Defl.† (mm)	Spring Constant†† (lbs/in)	Spring Constant†† (kg/mm)	Avg. Defl. LDS (in)	Avg. Defl. LDS (mm)	Spring Color/Stripe
RW30N-X-12	12	5	1.45	37	10	0.18			Orange
RW30N-X-23	23	10	1.50	38	18	0.30			Brown
RW30N-X-33	33	15	1.30	33	30	0.54			White
RW30N-X-54	54	24	1.40	36	45	0.80			Copper
RW30N-X-76	76	34	1.22	31	73	1.36	0.20	5.1	Black
RW30N-X-113	113	51	1.20	30	113	2.04			Brass
RW30N-X-130	130	59	1.20	30	130	2.36			Purple
RW30N-X-175	175	79	1.20	30	175	3.16			Silver
RW30N-X-210	210	95	1.20	30	210	3.80			Blue
RW30N-A-12	12	6	1.10	28	12	0.20			Brass
RW30N-A-18	18	8	1.18	30	18	0.32			Gray
RW30N-A-25	25	11	1.15	29	25	0.44			Orange
RW30N-A-41	41	19	1.53	39	35	0.63	0.35	8.9	Pink
RW30N-A-56	56	25	1.49	38	49	0.83			Black
RW30N-A-73	73	33	1.41	36	69	1.22			Tan
RW30N-A-95	95	43	1.36	35	94	1.65			Green
RW30N-B-138	138	63	1.67	42	105	1.85			White
RW30N-B-222	222	101	1.51	38	191	3.48			Blue
RW30N-B-278	278	126	1.44	37	255	4.50	0.35	8.9	Purple
RW30N-B-336	336	152	1.35	34	336	6.08			Silver
RW30N-B-410	410	186	1.42	36	385	6.89			Black
RW30N-B-540	540	245	1.35	34	540	9.80			Yellow
RW30N-C-630	630	286	1.13	29	558	9.86			Gray
RW30N-C-800	800	363	1.00	25	800	14.52			Orange
RW30N-C-1010	1010	458	1.10	28	920	16.36	0.40	10	Green
RW30N-C-1265	1265	574	1.00	25	1265	22.96			Red
RW30N-D-1575	1575	714	1.23	31	1280	23.03			Pink
RW30N-D-2150	2150	975	1.03	26	2095	37.50	0.40	10	Purple
RW30N-F-2760	2760	1252	1.00	25	2760	50.08	0.40	10	Silver

† includes double deflection LDS element.

†† applies to spring only.

TYPE RW30N DIMENSIONS

Size Range	D (in)	D (mm)	H (in)	H (mm)	W (in)	W (mm)	LRP (in)	LRP (mm)	URP (in)	URP (mm)	MRD (in)	MRD (mm)
RW30N-X-12-210	2 1/2	64	5 1/2	140	2 7/8	73	3 1/4	83	1 3/4	44	3/8	10
RW30N-A-12-25	2 3/4	70	6 3/4	171	3 1/4	83	3 1/4	83	2 1/4	57	5/8	16
RW30N-A-41-95	2 3/4	70	6 3/4	171	3 1/4	83	3 5/8	92	2 1/4	57	5/8	16
RW30N-B-138-540	4	102	6 3/4	171	4 3/4	121	3 3/4	95	2 3/4	70	5/8	16
RW30N-C-630-1265	4 3/4	121	9	229	5 1/4	133	5	127	3	76	3/4	19
RW30N-D-1575-2150	4 3/4	121	12 1/2	318	5 3/4	146	7	178	4 1/4	108	7/8	22
RW30N-F-2760	6	152	14 1/2	368	6 1/4	159	7	178	5	127	7/8	22

LDS stands for Low Dynamic Stiffness Bridge Bearing Natural Rubber to minimize noise and vibration transmission.

LRP - Lower Rod Penetration
 URP - Upper Rod Penetration
 MRD - Maximum Rod Diameter

All springs have additional travel to solid equal to 50% of Rated Deflection.

Hanger elements have straight line deflection curves

PLAN VIEW OF HANGER LOCATIONS

TAG: _____

UNIT: _____



SPECIFIED DEFLECTION

1:	6:
2:	7:
3:	8:
4:	9:
5:	10:
Sets Required:	