



MASON INDUSTRIES, Inc.

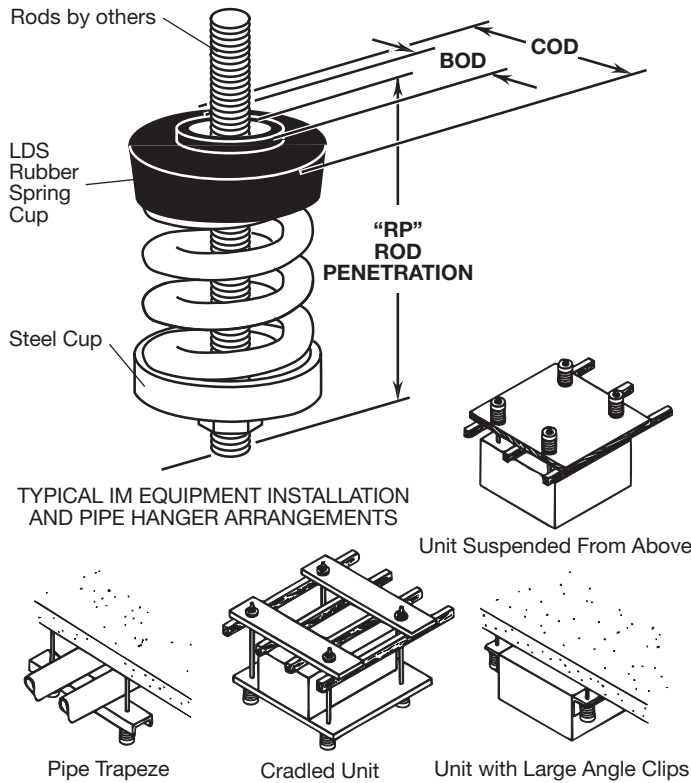
Manufacturers of Vibration Control Products

350 Rabro Drive
Hauppauge, NY 11788
631/348-0282
FAX 631/348-0279
Info@Mason-Ind.com

2101 W. Crescent Ave., Suite D
Anaheim, CA 92801
714/535-2727
FAX 714/535-5738
Info@MasonAnaheim.com
www.Mason-Ind.com

JOB NAME _____
CUSTOMER _____
CUSTOMER P.O. _____
MASON M. _____
DWG No. _____

IM
1" 25mm Deflection
X, A, B & C
Simple Spring
Hangers



TYPICAL IM EQUIPMENT INSTALLATION AND PIPE HANGER ARRANGEMENTS

Unit Suspended From Above

Pipe Trapeze

Cradled Unit

Unit with Large Angle Clips

TYPE IM DIMENSIONS (inches mm)

Size	Bushing Outside Dia. BOD	Cup Outside Dia. COD	Max Rod Dia. MRD	Rod Penetration RP
IM-X-23-210	7/8 22	2 51	3/8 10	23/4 70
IM-A-12-25	1 25	21/8 54	3/8 10	21/4 57
IM-A-45-400	1 25	21/8 54	1/2 13	33/8 86
IM-A-510	1 25	21/8 54	1/2 13	31/2 89
IM-A-625	1 25	21/8 54	1/2 13	33/4 95
IM-B-20-1650	1 1/2 38	23/4 70	3/4 19	5 127
IM-C-1000-2935	1 25	31/4 83	3/4 19	5 127

TYPE IM RATINGS

Type and Size	Rated Capacity (lbs) (kg)		Rated Deflection (in) (mm)		Spring Constant (lbs/in) (kg/mm)		Spring Color/Stripe
IM-X-23	23	10	1.50	33	18	0.3	Brown
IM-X-33	33	15	1.30	28	30	0.5	Red
IM-X-54	54	24	1.40	31	45	0.8	White
IM-X-76	76	34	1.22	26	73	1.3	Black
IM-X-113	113	51	1.00	25	113	2.0	Yellow
IM-X-130	130	59	1.00	25	130	2.3	Purple
IM-X-175	175	79	1.00	25	175	3.1	Silver
IM-X-210	210	95	1.00	25	210	3.8	Blue
IM-A-12	12	5	1.00	25	12	0.2	Red
IM-A-18	18	8	1.00	25	18	0.3	Gray
IM-A-25	25	11	1.00	25	25	0.4	Orange
IM-A-45	45	20	1.60	41	28	0.5	Blue
IM-A-75	75	34	1.50	38	50	0.9	Orange
IM-A-125	125	57	1.33	34	94	1.7	Brown
IM-A-200	200	91	1.15	29	174	3.1	Black
IM-A-310	310	141	1.00	25	310	5.5	Yellow
IM-A-400	400	182	1.00	25	400	7.2	Green
IM-A-510	510	232	1.00	25	510	9.1	Red
IM-A-625	625	284	1.00	25	625	11.2	White
IM-B-65	65	30	2.10	53	31	0.6	Brown
IM-B-85	85	39	2.10	53	40	0.7	White/Blk
IM-B-115	115	52	2.00	51	57	1.0	Silver
IM-B-150	150	68	2.00	51	75	1.3	Orange
IM-B-280	280	127	1.60	41	174	3.1	Green
IM-B-450	450	204	1.31	33	344	6.1	Red
IM-B-750	750	341	1.12	28	670	12.0	White
IM-B-1000	1000	455	1.00	25	1000	17.9	Blue
IM-1-1000	1000	455	1.00	25	1000	17.9	Black
IM-1-1350	1350	614	1.00	25	1350	24.2	Yellow
IM-1-1750	1750	795	1.00	25	1750	31.3	Black*
IM-1-2100	2100	955	1.00	25	2100	37.6	Yellow*
IM-1-2385	2385	1084	1.00	25	2385	42.7	Yellow**
IM-1-2650	2650	1205	1.00	25	2650	47.4	Red*
IM-1-2935	2935	1334	1.00	25	2935	52.5	Red**

* with Red inner spring ** with Green inner spring

All springs have additional travel to solid equal to 50% of the Rated Deflection.

LDS stands for **Low Dynamic Stiffness** Bridge Bearing Natural Rubber to minimize noise and vibration transmission.

PLAN VIEW OF HANGER LOCATIONS

TAG: _____

UNIT: _____



SPECIFIED DEFLECTION

1:	6:
2:	7:
3:	8:
4:	9:
5:	10:
Sets Required:	



MASON INDUSTRIES, Inc.

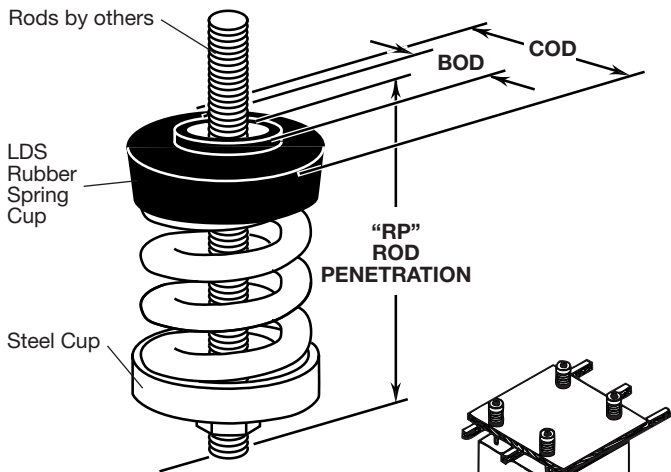
Manufacturers of Vibration Control Products

350 Rabro Drive
Hauppauge, NY 11788
631/348-0282
FAX 631/348-0279
Info@Mason-Ind.com

2101 W. Crescent Ave., Suite D
Anaheim, CA 92801
714/535-2727
FAX 714/535-5738
Info@MasonAnaheim.com
www.Mason-Ind.com

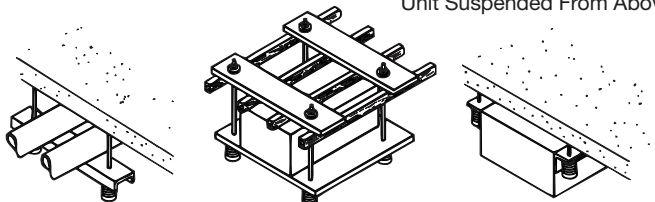
JOB NAME _____
 CUSTOMER _____
 CUSTOMER P.O. _____
 MASON M. _____
 DWG No. _____

IM
 2" 50mm Deflection
 B, B2 & C2
 Simple Spring
 Hangers



TYPICAL IM EQUIPMENT INSTALLATION AND PIPE HANGER ARRANGEMENTS

Unit Suspended From Above



Pipe Trapeze

Cradled Unit

Unit with Large Angle Clips

TYPE IM RATINGS

Type and Size	Rated Capacity (lbs) (kg)		Rated Deflection [†] (in) (mm)		Spring Constant ^{††} (lbs/in) (kg/mm)		Spring Color
IM-B-20	20	9	2.40	61	8	0.15	Tan
IM-B-26	26	12	2.18	55	12	0.22	White/Blue
IM-B-35	35	16	2.20	56	16	0.29	Purple
IM-B-50	50	23	2.20	56	24	0.41	White/Red
IM-B-65	65	30	2.10	53	31	0.57	Brown
IM-B-85	85	39	2.10	53	40	0.74	White/Blk
IM-B-115	115	52	2.00	51	57	1.0	Silver
IM-B-150	150	68	2.00	51	75	1.3	Orange
IM-B2-210	210	96	2.12	54	99	1.8	Silver
IM-B2-290	290	132	2.00	51	144	2.6	Blue
IM-B2-450 [†]	450	205	2.00	51	224	4.0	Tan
IM-B2-680 [†]	680	309	2.00	51	340	6.1	Gray
IM-C2-125	125	57	2.50	64	50	0.9	Purple
IM-C2-170	170	77	2.40	61	70	1.3	Brown
IM-C2-210	210	96	2.30	58	90	1.7	Red
IM-C2-260	260	118	2.20	56	120	2.1	White
IM-C2-330	330	150	2.00	51	165	2.9	Black
IM-C2-460	460	209	2.00	51	230	4.1	Blue
IM-C2-610	610	277	2.00	51	305	5.4	Green
IM-C2-880 [†]	880	400	2.00	51	440	7.8	Gray
IM-C2-1210 [†]	1210	550	2.00	51	605	10.8	Silver
IM-C2-1540 [†]	1540	700	2.00	51	770	13.7	Gray*
IM-C2-1870 [†]	1870	850	2.00	51	935	16.7	Silver*

*with Red inner spring

[†]Published ratings allow minimum 25% additional travel to solid. For a full 50% specified minimum, use the ratings shown in the table below

All springs have additional travel to solid equal to 50% of the Rated Deflection.

LDS stands for **Low Dynamic Stiffness Bridge Bearing**. Natural Rubber to minimize noise and vibration transmission.

TYPE IM DIMENSIONS

Type and Size	Bushing Outside Dia. BOD	Cup Outside Dia. COD	Max Rod Dia. MRD	Rod Penetration RP
IM-B-20-150	1 7/8 48	3 1/8 79	3/4 19	4 7/8 124
IM-B2-210-680	1 7/8 48	3 1/8 79	3/4 19	5 3/8 137
IM-C2-125-1870	2 3/8 60	3 5/8 92	3/4 19	5 7/8 149

Size	Derated Capacity (lbs) (kg)	Derated Deflection (in) (mm)	Size	Derated Capacity (lbs) (kg)	Derated Deflection (in) (mm)
B2-450	410 186	1.83 46.5	C2-1210	1010 459	1.67 42.4
B2-680	565 257	1.66 42.2	C2-1540	1285 584	1.67 42.4
C2-880	800 364	1.82 46.2	C2-1870	1560 709	1.67 42.4

PLAN VIEW OF HANGER LOCATIONS

TAG: _____
 UNIT: _____



SPECIFIED DEFLECTION

1:	6:
2:	7:
3:	8:
4:	9:
5:	10:
Sets Required:	