



MASON INDUSTRIES, Inc.

Manufacturers of Vibration Control Products

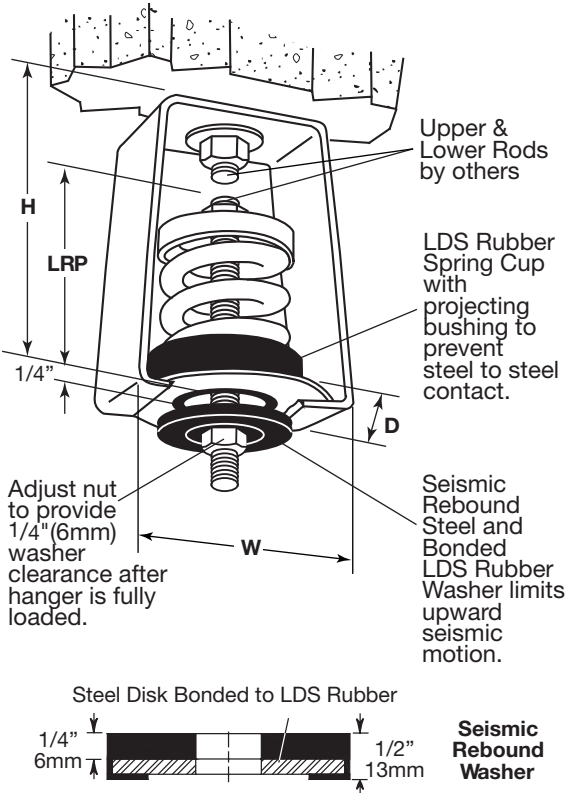
350 Rabro Drive
Hauppauge, NY 11788
631/348-0282
FAX 631/348-0279
Info@Mason-Ind.com

2101 W. Crescent Ave., Suite D
Anaheim, CA 92801
714/535-2727
FAX 714/535-5738
Info@MasonAnaheim.com
www.Mason-Ind.com

JOB NAME _____
CUSTOMER _____
CUSTOMER P.O. _____
MASON M. _____
DWG No. _____

RWHS

1" 25mm Deflection
B, 1, 2 & 4 Spring
Series Hangers with
Rebound Washer



TYPE RWHS RATINGS

Type and Size	Rated Capacity		Rated Deflection [†]		Spring Constant ^{††}		Spring Color	Vertical 'G' Ratings	
	(lbs)	(kg)	(in)	(mm)	(lbs/in)	(kg/mm)		Tension	Compression
RWHS-B-65	65	29	2.10	53	31	0.6	Brown	10.0*	10.0*
RWHS-B-85	85	39	2.10	53	40	0.7	White*	10.0*	10.0*
RWHS-B-115	115	52	2.00	51	57	1.0	Silver	10.0*	10.0*
RWHS-B-150	150	68	2.00	51	75	1.3	Orange	10.0*	10.0*
RWHS-B-280	280	127	1.60	41	174	3.1	Green	10.0*	5.4
RWHS-B-450	450	204	1.31	33	344	6.1	Red	10.0*	3.3
RWHS-B-750	750	340	1.12	28	670	12.1	White	10.0*	2.0
RWHS-B-1000	1000	454	1.00	25	1000	18.2	Blue	10.0*	1.5
RWHS-1-1000	1000	454	1.00	25	1000	18.2	Black	10.0*	3.2
RWHS-1-1350	1350	612	1.00	25	1350	24.5	Yellow	8.7	2.4
RWHS-1-1750	1750	794	1.00	25	1750	31.8	Black*	6.7	1.8
RWHS-1-2100	2100	953	1.00	25	2100	38.1	Yellow*	5.6*	1.5
RWHS-1-2385	2385	1082	1.00	25	2385	43.3	Yellow**	5.0*	1.4
RWHS-1-2650	2650	1202	1.00	25	2650	48.1	Red*	4.4	1.2
RWHS-1-2935	2935	1331	1.00	25	2935	53.2	Red**	4.0	1.1
RWHS-2-2700	2700	1225	1.00	25	2700	49.0	Yellow	10.0*	3.0
RWHS-2-3500	3500	1588	1.00	25	3500	63.5	Black*	10.0*	2.3
RWHS-2-4200	4200	1905	1.00	25	4200	76.2	Yellow*	9.8	1.9
RWHS-4-5400	5400	2449	1.00	25	5400	98.0	Yellow	10.0*	3.5
RWHS-4-7000	7000	3175	1.00	25	7000	127.0	Black*	8.4	2.7
RWHS-4-8400	8400	3810	1.00	25	8400	152.4	Yellow*	7.0*	2.2
RWHS-4-9540	9540	4327	1.00	25	9540	173.1	Yellow**	6.2	2.0
RWHS-4-10600	10600	4808	1.00	25	10600	192.3	Red*	5.5	1.8
RWHS-4-11740	11740	5325	1.00	25	11740	213.0	Red**	5.0	1.6

*with Red inner spring **with Green inner spring
All springs have additional travel to solid equal to 50% of Rated Deflection.

LDS stands for Low Dynamic Stiffness Bridge Bearing Natural Rubber to minimize noise and vibration transmission.

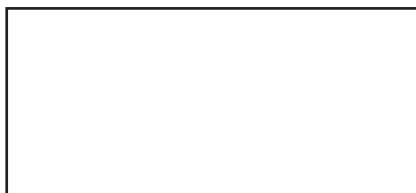
TYPE RWHS DIMENSIONS

Size Range	D		H		W		LRP		MRD	
	(in)	(mm)	(in)	(mm)	(in)	(mm)	(in)	(mm)	(in)	(mm)
RWHS-B-65-1000	4	102	7 1/4	184	4 3/4	121	4 1/4	108	3/4	19
RWHS-1-1000-2935	4	102	8 3/4	222	5 1/4	133	5	127	7/8	22
RWHS-2-3700-4200	9	229	10	254	5 1/4	133	7	178	1	25
RWHS-4-5400-11740	7	178	13	330	8 7/8	225	7	178	1 1/4	32

LRP - Lower Rod Penetration
MRD - Maximum Rod Diameter

PLAN VIEW OF HANGER LOCATIONS

TAG: _____
UNIT: _____



SPECIFIED DEFLECTION

1:	6:
2:	7:
3:	8:
4:	9:
5:	10:
Sets Required:	



MASON INDUSTRIES, Inc.

Manufacturers of Vibration Control Products

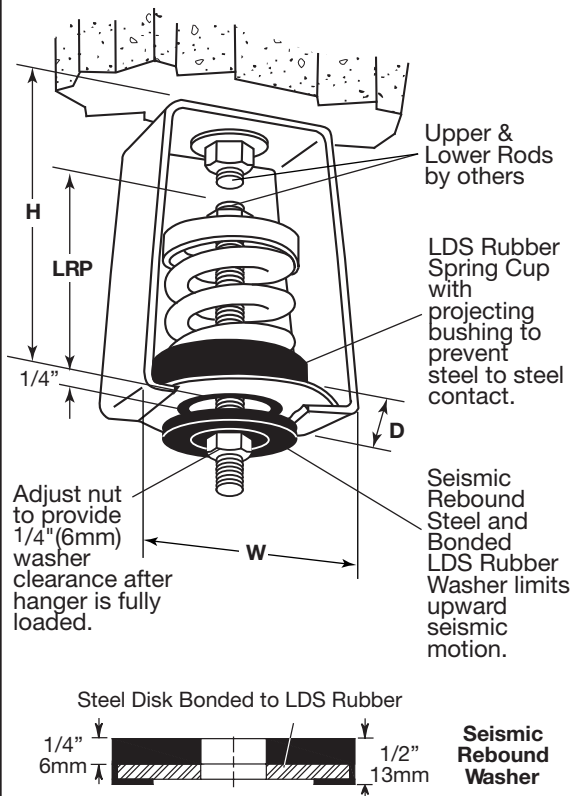
350 Rabro Drive
Hauppauge, NY 11788
631/348-0282
FAX 631/348-0279
Info@Mason-Ind.com

2101 W. Crescent Ave., Suite D
Anaheim, CA 92801
714/535-2727
FAX 714/535-5738
Info@MasonAnaheim.com
www.Mason-Ind.com

JOB NAME _____
 CUSTOMER _____
 CUSTOMER P.O. _____
 MASON M. _____
 DWG No. _____

RWHS

1" 25mm Deflection
X & A Spring Series
Hangers with
Rebound Washer



TYPE RWHS RATINGS

Type and Size	Rated Capacity		Rated Deflection [†]		Spring Constant ^{††}		Spring Color	Vertical 'G' Ratings	
	(lbs)	(kg)	(in)	(mm)	(lbs/in)	(kg/mm)		Tension	Compression
RWHS-X-12	12	5	1.25	32	10	0.18	Orange	10.0 ⁺	10.0 ⁺
RWHS-X-23	23	10	1.30	33	18	0.30	Brown	10.0 ⁺	10.0 ⁺
RWHS-X-33	33	15	1.10	28	30	0.54	Copper	10.0 ⁺	10.0 ⁺
RWHS-X-54	54	24	1.20	30	45	0.80	White	10.0 ⁺	10.0 ⁺
RWHS-X-76	76	34	1.02	25	73	1.36	Black	10.0 ⁺	10.0 ⁺
RWHS-X-113	113	51	1.00	25	113	2.04	Brass	10.0 ⁺	7.6
RWHS-X-130	130	59	1.00	25	130	2.36	Purple	10.0 ⁺	6.6
RWHS-X-175	175	79	1.00	25	175	3.16	Silver	10.0 ⁺	4.9
RWHS-X-210	210	95	1.00	25	210	3.80	Blue	9.0 ⁺	4.1
RWHS-A-12	12	5	1.00	25	12	0.20	Copper	10.0 ⁺	10.0 ⁺
RWHS-A-18	18	8	1.00	25	18	0.32	Gray	10.0 ⁺	10.0 ⁺
RWHS-A-25	25	11	1.00	25	25	0.44	Orange	10.0 ⁺	10.0 ⁺
RWHS-A-41	41	19	1.18	30	35	0.63	Pink	10.0 ⁺	10.0 ⁺
RWHS-A-56	56	25	1.14	30	49	0.83	Black	10.0 ⁺	10.0 ⁺
RWHS-A-73	73	33	1.06	27	69	1.22	Tan	10.0 ⁺	10.0 ⁺
RWHS-A-95	95	43	1.01	26	94	1.65	Green	10.0 ⁺	10.0 ⁺
RWHS-A-45	45	20	1.60	41	28	0.49	Blue	10.0 ⁺	10.0 ⁺
RWHS-A-75	75	34	1.50	38	50	0.89	Orange	10.0 ⁺	10.0 ⁺
RWHS-A-125	125	57	1.33	34	94	1.68	Brown	10.0 ⁺	10.0 ⁺
RWHS-A-200	200	91	1.15	29	174	3.14	Black	10.0 ⁺	10.0 ⁺
RWHS-A-310	310	141	1.00	25	310	5.64	Yellow	10.0 ⁺	7.1
RWHS-A-400	400	181	1.00	25	400	7.24	Green	10.0 ⁺	5.5
RWHS-A-510	510	231	1.00	25	510	9.24	Red	10.0 ⁺	4.3
RWHS-A-625	625	283	1.00	25	625	11.3	White	10.0 ⁺	3.5

All springs have additional travel to solid equal to 50% of Rated Deflection.

LDS stands for Low Dynamic Stiffness Bridge Bearing Natural Rubber to minimize noise and vibration transmission.

TYPE RWHS DIMENSIONS

Size Range	D		H		W		LRP		MRD	
	(in)	(mm)	(in)	(mm)	(in)	(mm)	(in)	(mm)	(in)	(mm)
RWHS-X-12-210	21/4	64	41/4	108	27/8	73	31/2	89	3/8	10
RWHS-A-12-25	23/4	70	53/4	146	31/4	83	31/2	89	5/8	16
RWHS-A-41-95	23/4	70	53/4	146	31/4	83	4	102	5/8	16
RWHS-A-45-125	23/4	70	53/4	146	31/4	83	4	102	5/8	16
RWHS-A-200-625	23/4	70	53/4	146	31/4	83	4	102	5/8	16

LRP - Lower Rod Penetration
MRD - Maximum Rod Diameter

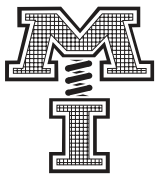
PLAN VIEW OF HANGER LOCATIONS

TAG: _____
 UNIT: _____



SPECIFIED DEFLECTION

1:	6:
2:	7:
3:	8:
4:	9:
5:	10:
Sets Required:	



MASON INDUSTRIES, Inc.

Manufacturers of Vibration Control Products

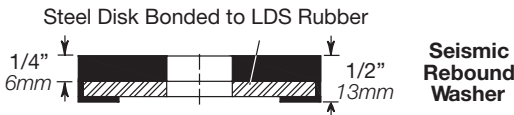
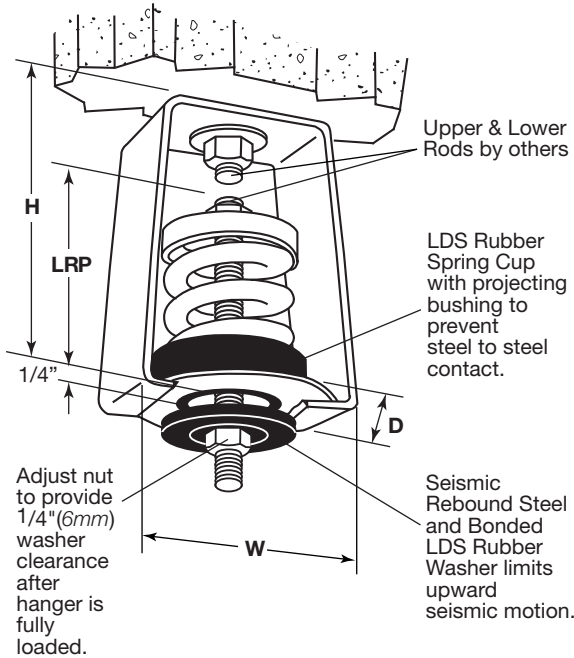
350 Rabro Drive
Hauppauge, NY 11788
631/348-0282
FAX 631/348-0279
Info@Mason-Ind.com

2101 W. Crescent Ave., Suite D
Anaheim, CA 92801
714/535-2727
FAX 714/535-5738
Info@MasonAnaheim.com
www.Mason-Ind.com

JOB NAME _____
 CUSTOMER _____
 CUSTOMER P.O. _____
 MASON M. _____
 DWG No. _____

RWHS

2" 50mm Deflection
B, B2, C2 Spring
Series Hangers with
Rebound Washer



LDS stands for Low Dynamic Stiffness AASHTO Bridge Bearing Natural Rubber to minimize noise and vibration transmission. Maximum Dynamic Stiffness is 1.4.

LRP - Lower Rod Penetration
MRD - Maximum Rod Diameter

TYPE RWHS RATINGS

Type and Size	Rated Capacity (lbs) (kg)		Rated Deflection [†] (in) (mm)		Spring Constant ^{††} (lbs/in) (kg/mm)		Spring Color
RWHS-B-20	20	9	2.40	61	8	0.15	Tan
RWHS-B-26	26	12	2.18	55	12	0.22	White/Blue
RWHS-B-35	35	16	2.20	56	16	0.29	Purple
RWHS-B-50	50	23	2.20	56	24	0.41	White/Red
RWHS-B-65	65	30	2.10	53	31	0.57	Brown
RWHS-B-85	85	39	2.10	53	40	0.74	White/Blk
RWHS-B-115	115	52	2.00	51	57	1.02	Silver
RWHS-B-150	150	68	2.00	51	75	1.33	Orange
RWHS-B2-210	210	96	2.12	54	99	1.76	Silver
RWHS-B2-290	290	132	2.00	51	144	2.59	Blue
RWHS-B2-450 [‡]	450	205	2.00	51	224	4.00	Tan
RWHS-B2-680 [‡]	680	308	2.00	51	340	6.04	Gray
RWHS-C2-125	125	57	2.50	64	50	0.89	Purple
RWHS-C2-170	170	77	2.40	61	70	1.26	Brown
RWHS-C2-210	210	96	2.30	58	90	1.64	Red
RWHS-C2-260	260	118	2.20	56	120	2.11	White
RWHS-C2-330	330	150	2.00	51	165	2.94	Black
RWHS-C2-460	460	209	2.00	51	230	4.10	Blue
RWHS-C2-610	610	277	2.00	51	305	5.43	Green
RWHS-C2-880 [‡]	880	399	2.00	51	440	7.82	Gray
RWHS-C2-1210 [‡]	1210	549	2.00	51	605	10.8	Silver
RWHS-C2-1540 [‡]	1540	699	2.00	51	770	13.7	Gray*
RWHS-C2-1870 [‡]	1870	848	2.00	51	935	16.6	Silver*
RWHS-2-C2-2420 [‡]	2420	1098	2.00	51	605	21.5	Silver
RWHS-2-C2-3080 [‡]	3080	1397	2.00	51	770	27.4	Gray*
RWHS-2-C2-3740 [‡]	3740	1696	2.00	51	935	33.3	Silver*
RWHS-4-C2-3520 [‡]	3520	1597	2.00	51	440	31.3	Gray
RWHS-4-C2-4840 [‡]	4840	2197	2.00	51	605	43.0	Silver
RWHS-4-C2-6160 [‡]	6160	2794	2.00	51	770	54.8	Gray*
RWHS-4-C2-7480 [‡]	7480	3393	2.00	51	935	66.5	Silver*

[‡]with Red inner spring ^{††}applies to spring only

[‡]Published ratings allow minimum 25% additional travel to solid. For a full 50% specified minimum, use the ratings shown in the table below.

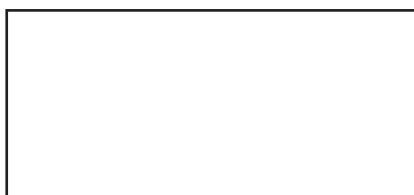
TYPE RWHS DIMENSIONS

Size Range	D - Depth (in) (mm)		H - Height (in) (mm)		W - Width (in) (mm)		LRP (in) (mm)	MRD (in) (mm)		
RWHS-B-20-150	4	102	7 1/4	184	4 3/4	121	5 1/8	130	3/4	19
RWHS-B-210-680	4	102	7 1/4	184	4 3/4	121	5 1/8	130	3/4	19
RWHS-C2-125-1870	4	102	8 3/4	222	5 1/4	133	5 1/4	133	7/8	22
RWHS-2-C2-2420-3740	9	229	10	254	5 1/4	133	6	152	1	25
RWHS-4-C2-3520-7480	7	178	13	330	8 7/8	225	8	203	1 1/4	32

Size	Derated Capacity		Deflection		Size	Derated Capacity		Deflection	
	(lbs)	(kg)	(in)	(mm)		(lbs)	(kg)	(in)	(mm)
B2-450	410	186	1.83	46	2-C2-1760	1600	726	1.82	46
B2-680	565	256	1.66	42	2-C2-2420	2020	916	1.67	42
C2-880	800	363	1.82	46	2-C2-3080	2570	1166	1.67	42
C2-1210	1010	458	1.67	42	2-C2-3740	3120	1415	1.67	42
C2-1540	1285	583	1.67	42	4-C2-4840	4040	1833	1.67	42
C2-1870	1560	708	1.67	42	4-C2-6160	5145	2334	1.67	42
					4-C2-7480	6245	2833	1.67	42

PLAN VIEW OF HANGER LOCATIONS

TAG: _____
 UNIT: _____



SPECIFIED DEFLECTION

1:	6:
2:	7:
3:	8:
4:	9:
5:	10:
Sets Required:	