



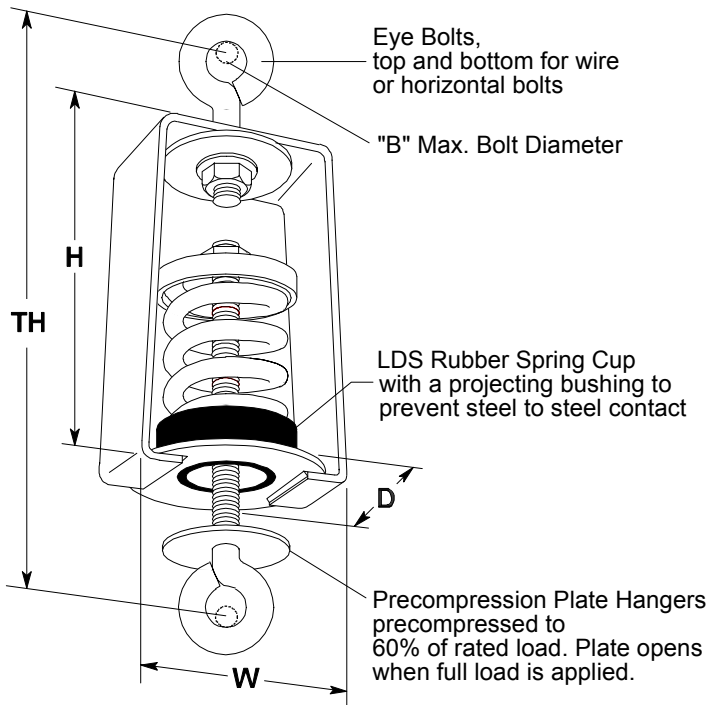
MASON INDUSTRIES, Inc.

Manufacturers of Vibration Control Products
 350 Rabro Drive 2101 W. Crescent Ave., Suite D
 Hauppauge, NY 11788 Anaheim, CA 92801
 631/348-0282 714/535-2727
 FAX 631/348-0279 FAX 714/535-5738
 Info@Mason-Ind.com Info@MasonAnaheim.com
 www.Mason-Ind.com

JOB NAME _____
 CUSTOMER _____
 CUSTOMER P.O. _____
 MASON M.I. _____
 DWG. NO. _____

WHS

1" Deflection
 X, A & B Series
 Ceiling Hangers



TH - Total Height between Bolt Centers as installed

TYPE WHS DIMENSIONS (inches)

Size Range	B	D	H	W	TH
WHS-X-23-210	1/4	2 1/2	4 1/2	2 7/8	5 7/8
WHS-A-12-25	3/8	2 3/4	5 3/4	3 1/4	6 1/2
WHS-A-41-95	3/8	2 3/4	5 3/4	3 1/4	6 1/2
WHS-A-45-625	3/8	2 3/4	5 3/4	3 1/4	6 5/8
WHS-B-65-750	1/2	4	7 1/4	4 3/4	10

TYPE WHS RATINGS

Size	Rated Capacity (lbs)	Rated Defl. (in)	Spring Constant (lbs/in)	Spring Color
WHS-X-23	23	1.30	18	Brown
WHS-X-33	33	1.10	30	Red
WHS-X-54	54	1.20	45	White
WHS-X-76	76	1.02	73	Black
WHS-X-113	113	1.00	113	Yellow
WHS-X-130	130	1.00	130	Purple
WHS-X-175	175	1.00	175	Silver
WHS-X-210	210	1.00	210	Blue
WHS-A-12	12	1.00	12	Red
WHS-A-18	18	1.00	18	Gray
WHS-A-25	25	1.00	25	Orange
WHS-A-41	41	1.18	35	Pink
WHS-A-56	56	1.14	49	Black
WHS-A-73	73	1.06	69	Tan
WHS-A-95	95	1.01	94	Green
WHS-A-45	45	1.60	28	Blue
WHS-A-75	75	1.50	50	Orange
WHS-A-125	125	1.33	94	Brown
WHS-A-200	200	1.15	174	Black
WHS-A-310	310	1.00	310	Yellow
WHS-A-400	400	1.00	400	Green
WHS-A-510	510	1.00	510	Red
WHS-A-625	625	1.00	625	White
WHS-B-65	65	2.10	31	Brown
WHS-B-85	85	2.10	40	White/Blk
WHS-B-115	115	2.00	57	Silver
WHS-B-150	150	2.00	75	Orange
WHS-B-280	280	1.60	174	Green
WHS-B-450	450	1.31	344	Red
WHS-B-750	750	1.12	670	White

All springs have additional travel to solid equal to 50% of Rated Deflection.

CERTIFICATION DATA

TAG : _____

UNIT : _____

PLAN VIEW OF HANGER LOCATION:



_____ SPECIFIED DEFLECTION

1 :	6 :
2 :	7 :
3 :	8 :
4 :	9 :
5 :	10 :
Sets Required:	

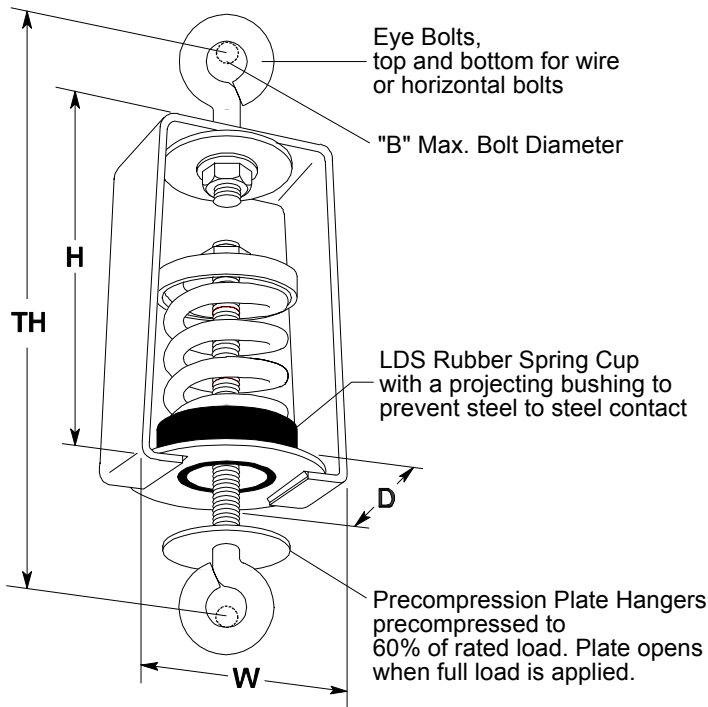


MASON INDUSTRIES, Inc.

Manufacturers of Vibration Control Products
 350 Rabro Drive 2101 W. Crescent Ave., Suite D
 Hauppauge, NY 11788 Anaheim, CA 92801
 631/348-0282 714/535-2727
 FAX 631/348-0279 FAX 714/535-5738
 Info@Mason-Ind.com Info@MasonAnaheim.com
 www.Mason-Ind.com

JOB NAME _____
 CUSTOMER _____
 CUSTOMER P.O. _____
 MASON M.I. _____
 DWG. NO. _____

WHS
 25mm Defl.
 X, A & B Series
 Ceiling Hangers



TH - Total Height between Bolt Centers as installed

TYPE WHS DIMENSIONS (mm)

Size Range	B	D	H	W	TH
WHS-X-23-210	6	64	114	73	149
WHS-A-12-25	10	70	146	83	165
WHS-A-41-95	10	70	146	83	165
WHS-A-45-625	10	70	146	83	168
WHS-B-65-750	13	102	184	121	254

TYPE WHS RATINGS

Size	Rated Capacity (kg)	Rated Defl. (mm)	Spring Constant (kg/mm)	Spring Color
WHS-X-23	10	33	0.3	Brown
WHS-X-33	15	28	0.5	Red
WHS-X-54	25	31	0.8	White
WHS-X-76	35	26	1.3	Black
WHS-X-113	51	25	2.0	Yellow
WHS-X-130	59	25	2.3	Purple
WHS-X-175	79	25	3.1	Silver
WHS-X-210	95	25	3.8	Blue
WHS-A-12	5	25	0.2	Red
WHS-A-18	8	25	0.3	Gray
WHS-A-25	11	25	0.4	Orange
WHS-A-41	19	30	0.6	Pink
WHS-A-56	25	29	0.9	Black
WHS-A-73	33	27	1.2	Tan
WHS-A-95	43	26	1.7	Green
WHS-A-45	20	41	0.5	Blue
WHS-A-75	34	38	0.9	Orange
WHS-A-125	57	34	1.7	Brown
WHS-A-200	91	29	3.1	Black
WHS-A-310	141	25	5.5	Yellow
WHS-A-400	182	25	7.2	Green
WHS-A-510	232	25	9.1	Red
WHS-A-625	284	25	11.2	White
WHS-B-65	30	58	0.6	Brown
WHS-B-85	39	53	0.7	Wht/Blk
WHS-B-115	52	51	1.0	Silver
WHS-B-150	68	51	1.3	Orange
WHS-B-280	127	41	3.1	Green
WHS-B-450	204	33	6.1	Red
WHS-B-750	341	28	12.0	White

All springs have additional travel to solid equal to 50% of Rated Deflection.

CERTIFICATION DATA

TAG : _____

UNIT : _____

PLAN VIEW OF HANGER LOCATION:



_____ SPECIFIED DEFLECTION

1 :	6 :
2 :	7 :
3 :	8 :
4 :	9 :
5 :	10 :
Sets Required:	

