



MASON INDUSTRIES, Inc.

Manufacturers of Vibration Control Products
 350 Rabro Drive 2101 W. Crescent Ave., Suite D
 Hauppauge, NY 11788 Anaheim, CA 92801
 631/348-0282 714/535-2727
 FAX 631/348-0279 FAX 714/535-5738
 Info@Mason-Ind.com Info@MasonAnaheim.com
 www.Mason-Ind.com

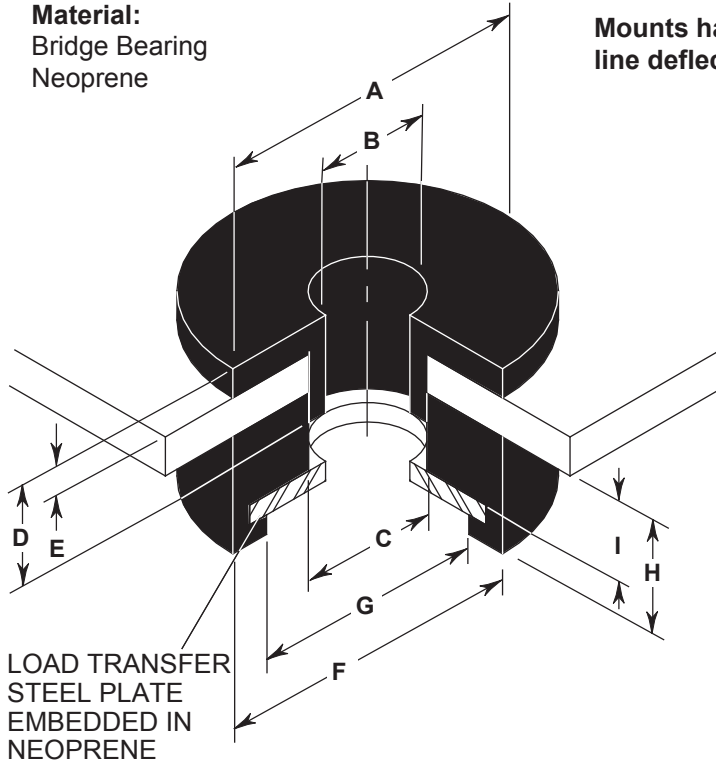
JOB NAME _____
 CUSTOMER _____
 CUSTOMER P.O. _____
 MASON M.I. _____
 DWG. NO. _____

HMIB

Hanger Mount
 Isolated
 Bushing

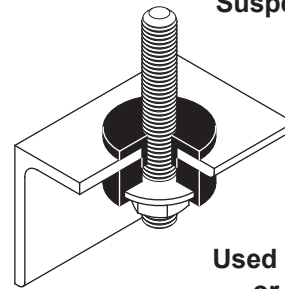
Material:
 Bridge Bearing
 Neoprene

Mounts have straight
 line deflection curves.

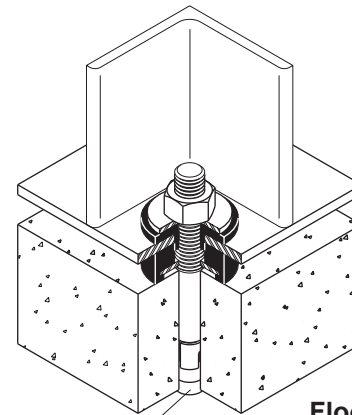


LOAD TRANSFER
 STEEL PLATE
 EMBEDDED IN
 NEOPRENE

Suspended Isolation



Used for Suspended
 or Floor Mounted
 Equipment



CONCRETE
 ANCHOR

**Floor Mounted
 Isolation**

TYPE HMIB DIMENSIONS

Size	A (in)(mm)	B (in)(mm)	C (in)(mm)	D (in)(mm)	E (in)(mm)	F (in)(mm)	G (in)(mm)	H (in)(mm)	I (in)(mm)	Rated Load (lbs)(kgs)	Rated Defl. (in)(mm)
HMIB-1/4	1 25	1/4 6	1/2 13	3/8 10	1/8 3	1 1/2 38	1 25	1/2 13	3/8 10	60 27	.075 1.9
HMIB-3/8	1 1/4 32	3/8 10	5/8 16	1/2 13	1/8 3	1 3/4 45	1 1/4 32	5/8 16	1/2 13	70 32	.095 2.4
HMIB-1/2	1 5/8 41	1/2 13	3/4 19	1/2 13	1/8 3	1 3/4 45	1 1/4 32	5/8 16	1/2 13	100 45	.095 2.4
HMIB-5/8	2 51	5/8 16	7/8 22	5/8 16	3/16 5	2 51	1 1/2 38	3/4 19	1/2 13	120 54	.110 2.8

PLAN VIEW OF BUSHING LOCATIONS

TAG : _____

UNIT : _____



SPECIFIED DEFLECTION

1 :	6 :
2 :	7 :
3 :	8 :
4 :	9 :
5 :	10 :
Sets Required:	