



MASON INDUSTRIES, Inc.

MERCER RUBBER Co.

350 Rabro Drive, Hauppauge, NY 11788
 Mason- 631/348-0282 • Info@Mason-Ind.com
 Mercer- 631/582-1524 • Info@Mercer-Rubber.com
 FAX 631/348-0279

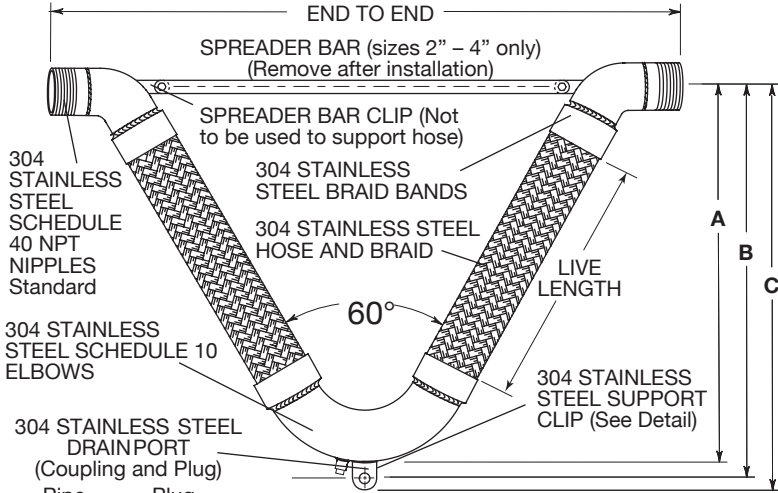


JOB NAME _____
 CUSTOMER _____
 CUSTOMER P.O. _____
 MASON M. _____
 DWG No. _____

VMNSS

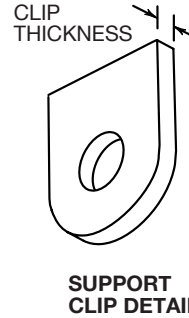
**60Vee SS BRAIDED
 HOSE with
 STAINLESS STEEL
 THREADED NIPPLES**

WARNING! If disinfecting (chlorinating) is required per the International Plumbing Code, AWWA C651, and AWWA C652, then tablets and granular chlorine (calcium hypochlorite), and chlorine for swimming pool disinfection CANNOT be used on our products. We recommend chlorinating with diluted liquid chlorine (sodium hypochlorite) and immediately flushing thoroughly with potable water, as defined in the above Code. All traces of chlorine must be removed, since residual chlorine will cause corrosion and lead to premature failure of our products. Failure to do so will void our warranty. Mason recommends installing hoses vertically where feasible to promote drainage of chlorine.



Pipe Size	Plug Size
1/2" - 1"	None
1 1/4" - 1 1/2"	1/4"
2" - 4"	1/2"

Drain Plugs are often removed to allow attachment of drain hose or steam trap for blow down or drainage.



STAINLESS STEEL SUPPORT CLIP

Pipe Size (in)	Pipe Size (mm)	Hole Diameter (in)	Hole Diameter (mm)	Thickness (in)	Thickness (mm)
1/2	15	1/2	13	1/8	3
3/4	20	1/2	13	1/8	3
1	25	1/2	13	1/8	3
1 1/4	32	1/2	13	1/8	3
1 1/2	40	1/2	13	1/8	3
2	50	5/8	16	1/8	3
2 1/2	65	5/8	16	1/8	3
3	80	3/4	19	1/8	3
4	100	3/4	19	1/8	3

Vacuum rating varies with size and application. Consult factory on all vacuum applications.

Our steam service ratings are very low in the interest of safety although our 70°F (21°C) pressure ratings are as high or higher than our competitors. All locations where failure could lead to personal injury or suffocation must be avoided. In dangerous locations we suggest housed expansion joints, solid loops, ball joints, packed devices etc. rather than thin walled flexible products regardless of manufacturer.

Consult factory with full location description as well as service conditions for higher pressure or temperature applications.

304 SS can be used up to 850°F (454°C) in applications such as engine exhaust.

When using these products in copper or brass water or steam systems, dielectric unions must be used on each end to prevent leakage from galvanic action.

RATED MOVEMENTS

- ±4" (100mm) All Directional Seismic Movement
- ±6" (150mm) Guided Thermal Movement Only

RATED PRESSURES @ ELEVATED TEMPERATURES (psi) (kg/cm²)

Hose Size (in) (mm)	250°F	350°F	450°F
	121°C Factor 0.92	176°C Factor 0.86	232°C Factor 0.81
1/2 15	1010 69	950 59	890 61
3/4 20	640 44	600 41	570 39
1 25	530 36	500 34	470 32
1 1/4 32	460 32	430 30	400 28
1 1/2 40	400 28	370 26	350 24
2 50	330 23	310 21	290 20
2 1/2 65	270 19	250 17	235 16
3 80	260 18	240 16	230 16
4 100	210 15	200 14	190 13

SATURATED STEAM RECOMMENDED PRESSURE LIMITS

Size (in) (mm)	Max Gauge (psi) (kg/cm²)	Temp Reference (°F) (°C)
1/2 15	200 14	387 197
3/4 20	200 14	387 197
1 25	150 11	362 183
1 1/4 32	150 11	362 183
1 1/2 40	150 11	362 183
2 50	150 11	362 183
2 1/2 65	125 9	355 179
3 80	125 9	355 179
4 100	125 9	355 179

VMNSS DIMENSIONS AND PRESSURE RATINGS (American Units)

Pipe Size & End to End (in)	Live Length (in)	Corrugations per foot	A (in)	B (in)	C (in)	Rated Pressure @70°F (psi)
1/2 X 23 1/2	14	92	15 1/8	15 7/8	16 3/8	1100
3/4 X 24	15	80	16 1/8	16 7/8	17 3/8	700
1 X 26	16	72	17 7/8	18 5/8	19 1/8	580
1 1/4 X 29	17	67	18 1/2	19 1/4	19 3/4	500
1 1/2 X 32	19	63	20 3/4	21 1/2	22	430
2 X 36	20	58	23 1/4	24 1/4	25	360
2 1/2 X 41	22	48	26	27	27 3/4	290
3 X 46	24	46	28 7/8	30 1/8	31 1/8	280
4 X 55	26	32	32 1/2	33 3/4	34 3/4	225

VMNSS DIMENSIONS AND PRESSURE RATINGS (Metric Units)

Pipe Size & End to End (mm)	Live Length (mm)	Corrugations per meter	A (mm)	B (mm)	C (mm)	Rated Pressure @21°C (kg/cm²)
15 X 597	356	302	384	403	416	76
20 X 610	381	262	410	429	441	48
25 X 660	406	236	454	473	486	40
32 X 737	432	220	470	489	502	34
40 X 813	483	207	527	546	559	30
50 X 914	508	190	591	616	635	25
65 X 1041	559	157	660	686	705	20
80 X 1168	610	151	733	765	791	19
100 X 1397	660	105	826	857	883	16

End to End Tolerance: minus 1% plus 3%. Minimum Burst is four times the Rated Pressure. Safety factor of 4.

QTY	SIZE	TAG

QTY	SIZE	TAG