



# MASON INDUSTRIES, Inc.

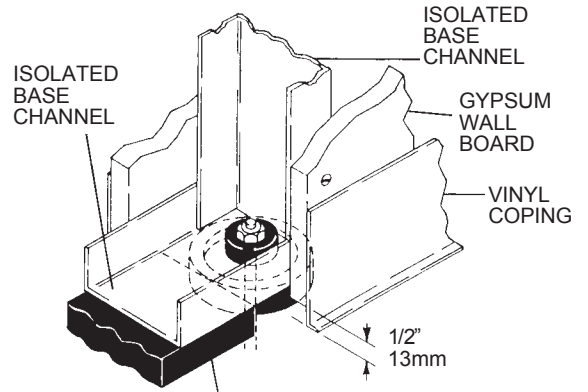
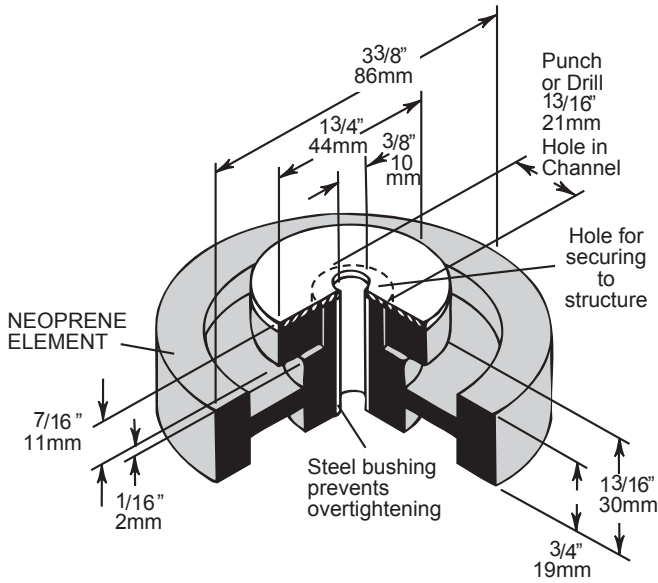
Manufacturers of Vibration Control Products

350 Rabro Drive      2101 W. Crescent Ave., Suite D  
 Hauppauge, NY 11788      Anaheim, CA 92801  
 631/348-0282      714/535-2727  
 FAX 631/348-0279      FAX 714/535-5738  
 Info@Mason-Ind.com      Info@MasonAnaheim.com  
 www.Mason-Ind.com

JOB NAME \_\_\_\_\_  
 CUSTOMER \_\_\_\_\_  
 CUSTOMER P.O. \_\_\_\_\_  
 MASON M.I. \_\_\_\_\_  
 DWG. NO. \_\_\_\_\_

# NPS

NEOPRENE  
PARTITION  
SUPPORTS



OPTIONAL 3/4" 19mm CLOSED CELL NEOPRENE OR VINYL TO IMPROVED ACOUSTICAL LOSS

### NPS LOAD RATINGS

NPS Size	Durometer	Color Code	RATED LOAD		Max Static Defl.	
			(lbs)	(kg)	(in)	(mm)
30	30	Black	140	64	0.12	2.8
40	40	Green	240	109	0.12	2.8

### CERTIFICATION DATA

SIZE	QTY.	TAG