



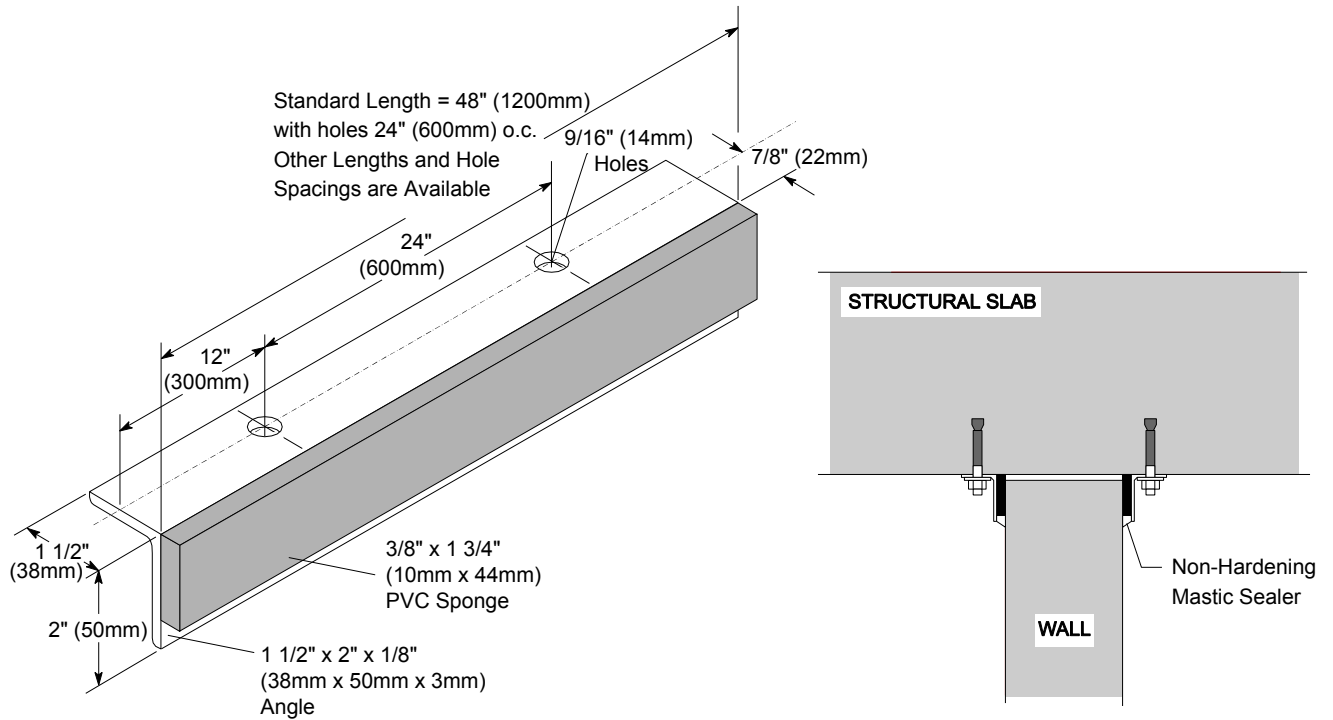
MASON INDUSTRIES, Inc.

Manufacturers of Vibration Control Products
 350 Rabro Drive 2101 W. Crescent Ave., Suite D
 Hauppauge, NY 11788 Anaheim, CA 92801
 631/348-0282 714/535-2727
 FAX 631/348-0279 FAX 714/535-5738
 Info@Mason-Ind.com Info@MasonAnaheim.com
 www.Mason-Ind.com

JOB NAME _____
 CUSTOMER _____
 CUSTOMER P.O. _____
 MASON M.I. _____
 DWG. NO. _____

AB-716

ISOLATED WALL
 ANGLE BRACKET
 SUPPORT



CERTIFICATION DATA

SIZE	QTY.	TAG

NOTE: AB-716 STANDARD LENGTH IS 48" (1200mm)

FORM S-012 09/2008

DWN:

CHKD:

DATE:

DWG. No.