



MASON INDUSTRIES, Inc.

Manufacturers of Vibration Control Products

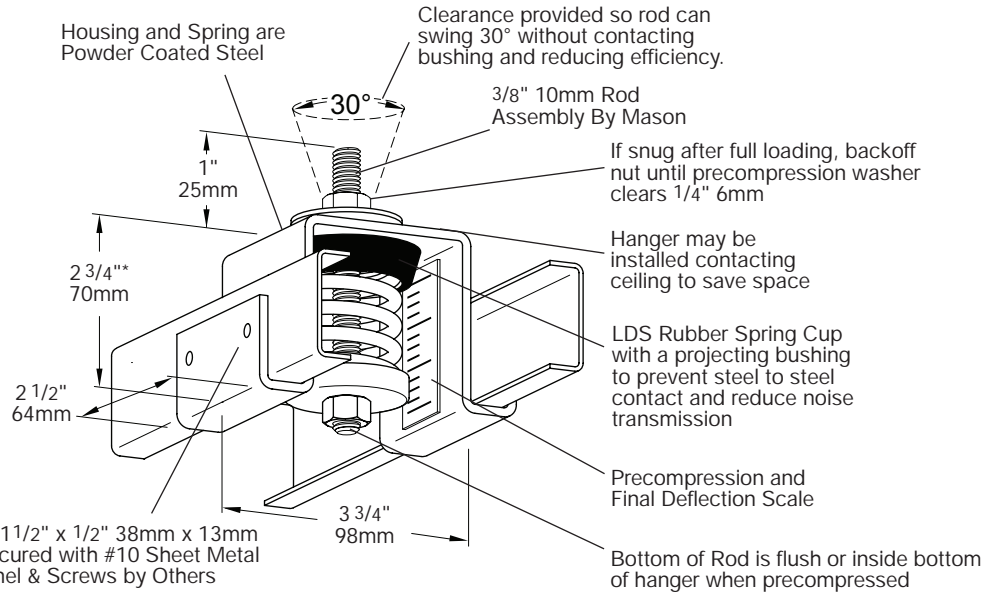
350 Rabro Drive
Hauppauge, NY 11788
631/348-0282
FAX 631/348-0279
Info@Mason-Ind.com

2101 W. Crescent Ave., Suite D
Anaheim, CA 92801
714/535-2727
FAX 714/535-5738
Info@MasonAnaheim.com
www.Mason-Ind.com

JOB NAME _____
 CUSTOMER _____
 CUSTOMER P.O. _____
 MASON M. _____
 DWG No. _____

30CSCH

Compact Spring
Ceiling Hanger with
Precompressed
30 Series Springs



Channel Bracket accepts 1 1/2" x 1/2" 38mm x 13mm Channel which may be secured with #10 Sheet Metal Screws, if required. Channel & Screws by Others

TYPE 30CSCH RATINGS

Size	Rated Capacity (lbs) (kg)	Rated Deflection (in) (mm)	Spring Constant (lbs/in) (kg/mm)	Spring Color
12	12 5	1.25 32	10 0.18	Orange
23	23 10	1.30 33	18 0.30	Brown
33	33 15	1.10 28	30 0.54	Red
54	54 24	1.20 30	45 0.80	White
76	76 34	1.02 25	73 1.36	Black
113	113 51	1.00 25	113 2.04	Yellow
130	130 59	1.00 25	130 2.36	Purple
175	175 79	1.00 25	175 3.16	Silver
210	210 95	1.00 25	210 3.80	Blue

All springs have additional travel to solid equal to 50% of Rated Deflection.

NOTE: Standard sizes shown.
For heavier capacities, consult factory.

* Hangers are precompressed to 70% of assigned load. When full load is applied, gap opens between precompression washer and housing. These dimensions are overall heights when fully loaded. For longer lengths, consult factory.

LDS stands for Low Dynamic Stiffness AASHTO Bridge Bearing Natural Rubber to minimize noise and vibration transmission. Maximum Dynamic Stiffness is 1.4.

AASHTO BRIDGE BEARING NATURAL RUBBER SPECIFICATIONS

ORIGINAL PHYSICAL PROPERTIES			TESTED FOR AGING			COMPRES- SION SET	LONG TERM CREEP
Duro- meter Shore A	Tensile Strength at Break (min)	Elongat. at Break (min)	OVEN AGING(70hrs/158°F) ASTM D-573	OZONE ASTM D-1149	ASTM D-395 22hrs/158°F Method B		
40±5	2000 psi	500%	+10%	-25%	-25%	No Cracks	5%(max)
50±5	2250 psi	450%	+10%	-25%	-25%	No Cracks	5%(max)
60±5	2250 psi	400%	+10%	-25%	-25%	No Cracks	5%(max)
70±5	2250 psi	300%	+10%	-25%	-25%	No Cracks	5%(max)

NOTE: AASHTO does not spec 40 Duro. 40 Duro by Mason.

MASON LAYOUT DRAWING NO. _____

SIZE	QTY.	TAG