



MASON INDUSTRIES, Inc.

Manufacturers of Vibration Control Products

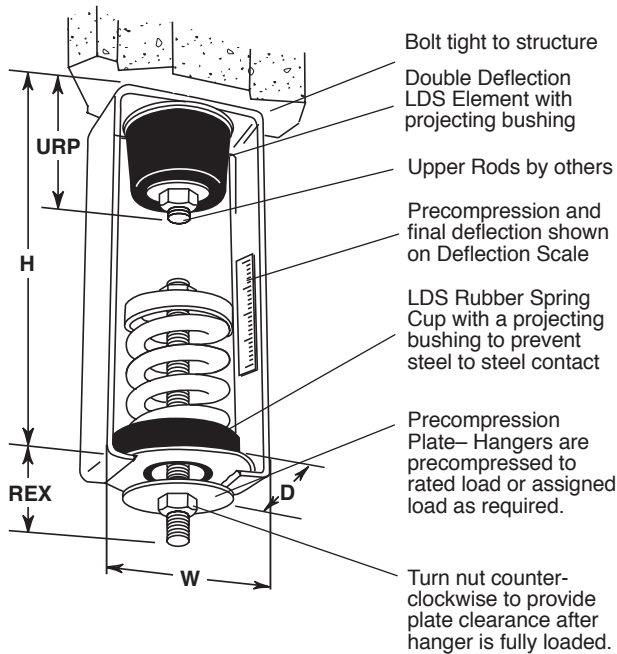
350 Rabro Drive
Hauppauge, NY 11788
631/348-0282
FAX 631/348-0279
Info@Mason-Ind.com

2101 W. Crescent Ave., Suite D
Anaheim, CA 92801
714/535-2727
FAX 714/535-5738
Info@MasonAnaheim.com
www.Mason-Ind.com

JOB NAME _____
CUSTOMER _____
CUSTOMER P.O. _____
MASON M. _____
DWG No. _____

PCDNHS

1" 25mm Deflection
X & A Series
Precompressed
Spring Hangers



TYPE PCDNHS RATINGS

Type and Size	Rated Capacity		Rated Deflection [†]		Spring Constant ^{††}		Avg LDS Deflection		Spring Color
	(lbs)	(kg)	(in)	(mm)	(lbs/in)	(kg/mm)	(in)	(mm)	
PCDNHS-X-12	12	5	1.45	37	10	0.2	0.20	5	Orange
PCDNHS-X-23	23	10	1.50	38	18	0.3			Brown
PCDNHS-X-33	33	15	1.30	33	30	0.5			Red
PCDNHS-X-54	54	24	1.40	36	45	0.8			White
PCDNHS-X-76	76	34	1.22	31	73	1.3			Black
PCDNHS-X-113	113	51	1.20	30	113	2.0			Yellow
PCDNHS-X-130	130	59	1.20	30	130	2.3	Purple		
PCDNHS-X-175	175	79	1.20	30	175	3.1	Silver		
PCDNHS-X-210	210	95	1.20	30	210	3.8	Blue		
PCDNHS-A-12	12	5	1.35	34	12	0.2	0.35	9	Red
PCDNHS-A-18	18	8	1.35	34	18	0.3			Gray
PCDNHS-A-25	25	11	1.35	34	25	0.4			Orange
PCDNHS-A-41	41	19	1.53	39	35	0.6			Pink
PCDNHS-A-56	56	25	1.49	38	49	0.9			Black
PCDNHS-A-73	73	33	1.41	36	69	1.2			Tan
PCDNHS-A-95	95	43	1.36	35	94	1.7	Green		
PCDNHS-A-45	45	20	1.95	50	28	0.5	0.35	9	Blue
PCDNHS-A-75	75	34	1.85	47	50	0.9			Orange
PCDNHS-A-125	125	57	1.68	43	94	1.7			Brown
PCDNHS-A-200	200	91	1.50	38	174	3.1			Black
PCDNHS-A-310	310	141	1.35	34	310	5.5			Yellow
PCDNHS-A-400	400	182	1.35	34	400	7.2			Green
PCDNHS-A-510	510	232	1.35	34	510	9.1	Red		
PCDNHS-A-625	625	284	1.35	34	625	11.2	White		

[†]includes double deflection LDS element. ^{††}applies to spring only.

LDS stands for Low Dynamic Stiffness Bridge Bearing Natural Rubber to minimize noise and vibration transmission.

TYPE PCDNHS DIMENSIONS

Size Range	D		H		W		REX		URP		MRD	
	(in)	(mm)	(in)	(mm)	(in)	(mm)	(in)	(mm)	(in)	(mm)	(in)	(mm)
PCDNHS-X-12-210	2 1/2	64	5 1/2	140	2 7/8	73	2 1/4	57	1 3/4	44	3/8	10
PCDNHS-A-12-25	2 3/4	70	6 3/4	171	3 1/4	83	2 1/4	57	2 1/4	57	5/8	16
PCDNHS-A-41-95	2 3/4	70	6 3/4	171	3 1/4	83	2 1/4	57	2 1/4	57	5/8	16
PCDNHS-A-45-125	2 3/4	70	6 3/4	171	3 1/4	83	2 1/4	57	2 1/4	57	5/8	16
PCDNHS-A-200-625	2 3/4	70	6 3/4	171	3 1/4	83	2 1/4	57	2 1/4	57	5/8	16

URP - Upper Rod Penetration
REX - Rod Extension
MRD - Maximum Rod Diameter

All springs have additional travel to solid equal to 50% of the Rated Deflection. Hanger elements have straight line deflection curves.

PLAN VIEW OF HANGER LOCATIONS

TAG: _____
UNIT: _____



SPECIFIED DEFLECTION

1:	6:
2:	7:
3:	8:
4:	9:
5:	10:
Sets Required:	



MASON INDUSTRIES, Inc.

Manufacturers of Vibration Control Products

350 Rabro Drive
Hauppauge, NY 11788
631/348-0282
FAX 631/348-0279

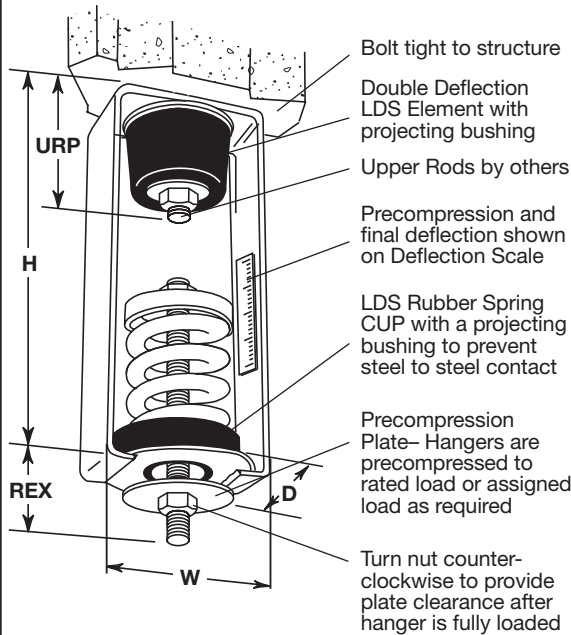
2101 W. Crescent Ave., Suite D
Anaheim, CA 92801
714/535-2727
FAX 714/535-5738

Info@Mason-Ind.com • www.Mason-Ind.com

JOB NAME _____
 CUSTOMER _____
 CUSTOMER P.O. _____
 MASON M. _____
 DWG No. _____

PCDNHS

1" 25mm Deflection
A, B, 1, 2, & 4 Series
Precompressed
Spring Hangers



LDS stands for **Low Dynamic Stiffness Bridge Bearing**
 Natural Rubber to minimize noise and vibration transmission.

All springs have additional travel to solid equal to 50% of the Rated Deflection.
 Hanger elements have straight line deflection curves.

TYPE PCDNHS RATINGS

Type and Size	Rated Capacity (lbs) (kg)	Rated Deflection† (in) (mm)	Spring Constant** (lbs/in) (kg/mm)	Avg. LDS Deflection (in) (mm)	Spring Color
PCDNHS-A-45	45 20	1.95 50	28 0.5	0.35 9	Blue
PCDNHS-A-75	75 34	1.85 47	50 0.9		Orange
PCDNHS-A-125	125 57	1.68 43	94 1.7		Brown
PCDNHS-A-200	200 91	1.50 38	174 3.1		Black
PCDNHS-A-310	310 141	1.35 34	310 5.6		Yellow
PCDNHS-A-400	400 181	1.35 34	400 7.2		Green
PCDNHS-A-510	510 231	1.35 34	510 9.2		Red
PCDNHS-A-625	625 283	1.35 34	625 11.3	White	
PCDNHS-B-65	65 29	2.45 62	31 0.6	0.35 9	Brown
PCDNHS-B-85	85 39	2.45 62	40 0.7		White/Blk
PCDNHS-B-115	115 52	2.35 60	57 1.0		Silver
PCDNHS-B-150	150 68	2.35 60	75 1.3		Orange
PCDNHS-B-280	280 127	1.95 50	174 3.1		Green
PCDNHS-B-450	450 204	1.66 42	344 6.2		Red
PCDNHS-B-750	750 340	1.47 37	670 12.1		White
PCDNHS-B-1000	1000 454	1.35 34	1000 18.2	Blue	
PCDNHS-1-1000	1000 454	1.40 36	1000 18.2	0.40 10	Black
PCDNHS-1-1350	1350 612	1.40 36	1350 24.5		Yellow
PCDNHS-1-1750	1750 794	1.40 36	1750 31.8		Black*
PCDNHS-1-2100	2100 953	1.40 36	2100 38.1		Yellow*
PCDNHS-1-2385	2385 1082	1.40 36	2385 43.3		Yellow**
PCDNHS-1-2650	2650 1202	1.40 36	2650 48.1		Red*
PCDNHS-1-2935	2935 1331	1.40 36	2935 53.2		Red**
PCDNHS-2-2700	2700 1225	1.40 36	2700 49.0	0.40 10	Yellow
PCDNHS-2-3500	3500 1588	1.40 36	3500 63.5		Black*
PCDNHS-2-4200	4200 1905	1.40 36	4200 76.2		Yellow*
PCDNHS-4-5400	5400 2449	1.40 36	5400 98.0	0.40 10	Yellow
PCDNHS-4-7000	7000 3175	1.40 36	7000 127.0		Black*
PCDNHS-4-8400	8400 3810	1.40 36	8400 152.4		Yellow*
PCDNHS-4-9540	9540 4327	1.40 36	9540 173.1		Yellow**
PCDNHS-4-10600	10600 4808	1.40 36	10600 192.3		Red*
PCDNHS-4-11740	11740 5325	1.40 36	11740 213.0		Red**

†includes double deflection LDS element **applies to spring only
 *with Red inner spring **with Green inner spring

TYPE PCDNHS DIMENSIONS

Size Range	D - Depth (in) (mm)	H - Height (in) (mm)	W - Width (in) (mm)	REX (in) (mm)	URP (in) (mm)	MRD (in) (mm)
PCDNHS-A-45-125	23/4 70	63/4 171	31/4 83	21/2 64	21/4 57	5/8 16
PCDNHS-A-200-625	23/4 70	63/4 171	31/4 83	21/2 64	21/4 57	5/8 16
PCDNHS-B-65-1000	4 102	9 229	43/4 121	21/4 57	3 76	3/4 19
PCDNHS-1-1000-2935	4 102	11 279	51/4 133	21/4 57	31/4 83	7/8 22
PCDNHS-2-2700-4200	9 229	12 305	51/4 133	41/4 108	33/4 95	1 25
PCDNHS-4-5400-11740	7 178	15 381	87/8 225	41/2 114	6 152	11/4 32

REX - Rod Extension
 URP - Upper Rod Penetration
 MRD - Maximum Rod Diameter

PLAN VIEW OF HANGER LOCATIONS

TAG: _____
 UNIT: _____



SPECIFIED DEFLECTION

1:	6:
2:	7:
3:	8:
4:	9:
5:	10:
Sets Required:	



MASON INDUSTRIES, Inc.

Manufacturers of Vibration Control Products

350 Rabro Drive
Hauppauge, NY 11788
631/348-0282
FAX 631/348-0279

2101 W. Crescent Ave., Suite D
Anaheim, CA 92801
714/535-2727
FAX 714/535-5738

Info@Mason-Ind.com • www.Mason-Ind.com

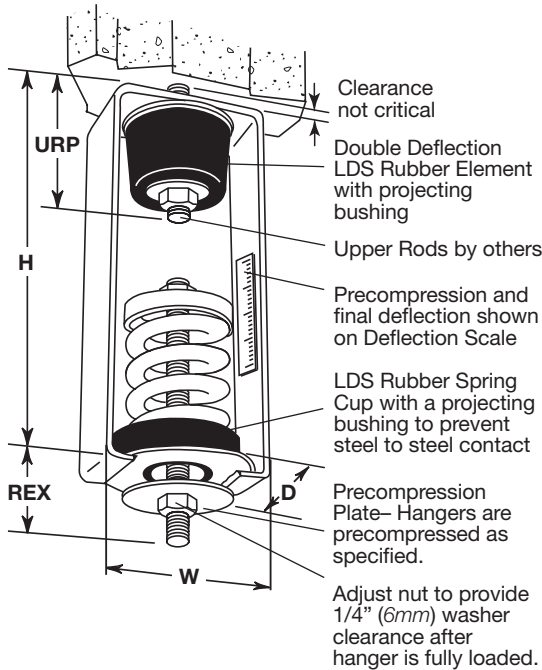
JOB NAME _____
 CUSTOMER _____
 CUSTOMER P.O. _____
 MASON M. _____
 DWG No. _____

PCDNHS

2" 50mm Deflection
 B, B2, C2, 2-C2
 & 4-C2
 Series Hangers

TYPE PCDNHS RATINGS

Type and Size	Rated Capacity		Rated Defl. [†]		Spring Constant ^{**}		Avg LDS Deflection		Spring Color
	(lbs)	(kg)	(in)	(mm)	(lbs/in)	(kg/mm)	(in)	(mm)	
PCDNHS-B-20	20	9	2.75	70	8	0.15	0.35	9	Tan
PCDNHS-B-26	26	12	2.53	64	12	0.22			White/Blue
PCDNHS-B-35	35	16	2.55	65	16	0.29			Purple
PCDNHS-B-50	50	23	2.55	65	24	0.41			White/Red
PCDNHS-B-65	65	29	2.45	62	31	0.55			Brown
PCDNHS-B-85	85	39	2.45	62	40	0.74			White/Blk
PCDNHS-B-115	115	52	2.35	60	57	1.02	0.35	9	Silver
PCDNHS-B-150	150	68	2.35	60	75	1.33			Orange
PCDNHS-B2-210	210	95	2.47	63	99	1.76			Silver
PCDNHS-B2-290	290	132	2.35	60	144	2.59	0.35	9	Blue
PCDNHS-B2-450 [‡]	450	204	2.35	60	224	4.00			Tan
PCDNHS-B2-680 [‡]	680	308	2.35	60	340	6.04			Gray
PCDNHS-C2-125	125	57	2.90	74	50	0.89	0.40	10	Purple
PCDNHS-C2-170	170	77	2.80	71	70	1.26			Brown
PCDNHS-C2-210	210	95	2.70	69	90	1.64			Red
PCDNHS-C2-260	260	118	2.60	66	120	2.11			White
PCDNHS-C2-330	330	150	2.40	61	165	2.94			Black
PCDNHS-C2-460	460	209	2.40	61	230	4.10			Blue
PCDNHS-C2-610	610	277	2.40	61	305	5.43			Green
PCDNHS-C2-880 [‡]	880	399	2.40	61	440	7.82			Gray
PCDNHS-C2-1210 [‡]	1210	549	2.40	61	605	10.80			Silver
PCDNHS-C2-1540 [‡]	1540	699	2.40	61	770	13.70			Gray*
PCDNHS-C2-1870 [‡]	1870	848	2.40	61	935	16.60			Silver*
PCDNHS-2-C2-2420 [‡]	2420	1098	2.40	61	1210	21.50			0.40
PCDNHS-2-C2-3080 [‡]	3080	1397	2.40	61	1540	27.40	Gray*		
PCDNHS-2-C2-3740 [‡]	3740	1696	2.40	61	1870	33.30	Silver*		
PCDNHS-4-C2-3520 [‡]	3520	1597	2.40	61	1760	31.30	0.40	10	Gray
PCDNHS-4-C2-4840 [‡]	4840	2195	2.40	61	2420	43.00			Silver
PCDNHS-4-C2-6160 [‡]	6160	2794	2.40	61	3080	54.80			Gray*
PCDNHS-4-C2-7480 [‡]	7480	3393	2.40	61	3740	66.50			Silver*



LDS stands for Low Dynamic Stiffness AASHTO Bridge Bearing Natural Rubber to minimize noise and vibration transmission. Maximum Dynamic Stiffness is 1.4.

Hanger elements have straight line deflection curves.

- REX - Rod Extension
- URL - Upper Rod Penetration
- MRD - Maximum Rod Diameter

*with Red inner spring *with Green inner spring **applies to spring only
[‡]Published ratings allow minimum 25% additional travel to solid. For a full 50% specified minimum, use the ratings shown in the table below.

TYPE PCDNHS DIMENSIONS

PCDNHS Size Range	D - Depth (in) (mm)	H - Height (in) (mm)	W - Width (in) (mm)	REX (in) (mm)	URL (in) (mm)	MRD (in) (mm)
B-20-150	4 102	9 229	43/4 121	21/4 57	3 76	3/4 19
B2-210-680	4 102	9 229	43/4 121	21/4 57	3 76	3/4 19
C2-125-1870	4 102	11 279	51/4 133	21/4 57	31/4 83	7/8 22
2-C2-2420-3740	9 229	12 305	51/4 133	41/4 108	31/4 83	1 25
4-C2-3520-7480	7 178	15 381	87/8 225	41/2 114	6 152	11/4 32

Size	Derated Capacity		Deflection		Size	Derated Capacity		Deflection	
	(lbs)	(kg)	(in)	(mm)		(lbs)	(kg)	(in)	(mm)
B2-450	410	186	1.83	46	2-C2-2420	2020	916	1.67	42
B2-680	565	256	1.66	42	2-C2-3080	2570	1166	1.67	42
C2-880	800	363	1.82	46	2-C2-3740	3120	1415	1.67	42
C2-1210	1010	458	1.67	42	4-C2-3520	3600	1633	1.67	42
C2-1540	1285	583	1.67	42	4-C2-4840	4040	1833	1.67	42
C2-1870	1560	708	1.67	42	4-C2-6160	5145	2334	1.67	42
					4-C2-7480	6245	2833	1.67	42

PLAN VIEW OF HANGER LOCATIONS

TAG: _____
 UNIT: _____



SPECIFIED DEFLECTION

1:	6:
2:	7:
3:	8:
4:	9:
5:	10:
Sets Required:	