



MASON INDUSTRIES, Inc.

Manufacturers of Vibration Control Products

350 Rabro Drive 2101 W. Crescent Ave., Suite D
 Hauppauge, NY 11788 Anaheim, CA 92801
 631/348-0282 714/535-2727
 FAX 631/348-0279 FAX 714/535-5738
 Info@Mason-Ind.com • www.Mason-Ind.com

2" 51mm DEFLECTION FREE STANDING SPRING MOUNTS and HEIGHT SAVING BRACKETS

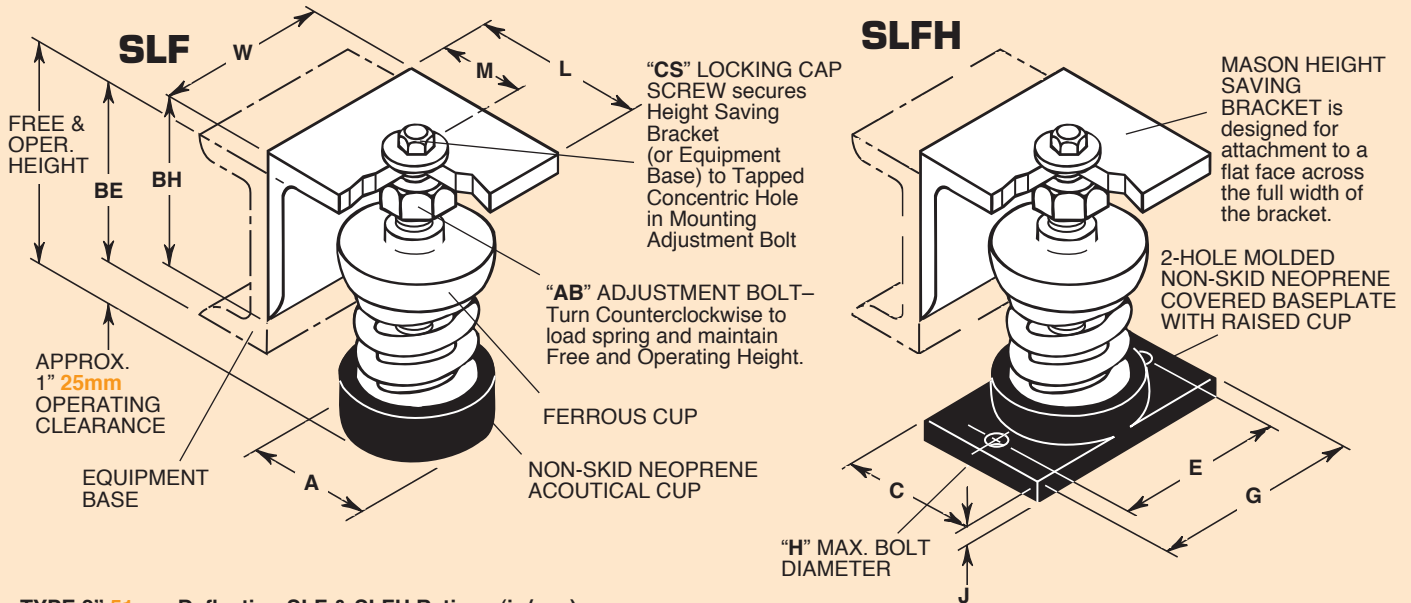
TYPE

SLF

DATA SHEET DS-208-1.1

2" 51mm Deflection SLF SINGLE SPRING MOUNTS

Change designation to SLFH when base plate with bolt holes is required.



TYPE 2" 51mm Deflection SLF & SLFH Ratings (in/mm)

Type	Size	Rated Capacity (lbs) (kg)	Rated Defl. [†] (in) (mm)	Spring Constant (lbs/in) (kg/mm)	Spring Color/Stripe	
SLF-	B-20	20 9	2.40 61	8 0.15	Tan	
	B-26	26 12	2.18 55	12 0.22	White/Blue	
	B-35	35 16	2.20 56	16 0.29	Purple	
	B-50	50 23	2.20 56	24 0.41	White/Red	
	B-65	65 29	2.10 53	31 0.55	Brown	
	B-85	85 39	2.10 53	40 0.74	White/Black	
	B-115	115 52	2.00 51	57 1.02	Silver	
	B-150	150 68	2.00 51	75 1.33	Orange	
	SLF-	B2-210	210 95	2.12 54	99 1.76	Silver
		B2-290	290 132	2.00 51	144 2.59	Blue
B2-450 [‡]		450 204	2.00 51	224 4.00	Tan	
B2-680 [‡]		680 308	2.00 51	340 6.04	Gray	
SLFH-		C2-125	125 57	2.50 64	50 0.89	Purple
	C2-170	170 77	2.40 61	70 1.26	Brown	
	C2-210	210 95	2.30 58	90 1.64	Red	
	C2-260	260 118	2.20 56	120 2.11	White	
	C2-330	330 150	2.00 51	165 2.94	Black	
	C2-460	460 209	2.00 51	230 4.10	Blue	
	C2-610	610 277	2.00 51	305 5.43	Green	
	C2-880 [‡]	880 399	2.00 51	440 7.82	Gray	
	C2-1210 [‡]	1210 549	2.00 51	605 10.76	Silver	
	C2-1540 [‡]	1540 699	2.00 51	770 13.71	Gray*	
	C2-1870 [‡]	1870 848	2.00 51	935 16.63	Silver*	

All springs without "‡" have additional travel to solid equal to 50% of the rated deflection. *with Red inner spring

[†]Published ratings allow minimum 25% additional travel to solid. For a full 50% specified minimum use the following ratings:

Size	Derated Capacity (lbs) (kg)	Defl. (in) (mm)	Size	Derated Capacity (lbs) (kg)	Defl. (in) (mm)
B2-450	410 186	1.83 46	C2-1210	1010 458	1.67 42
B2-680	565 256	1.67 42	C2-1540	1285 583	1.67 42
C2-880	800 363	1.82 46	C2-1870	1560 708	1.67 42

TYPE 2" 51mm Deflection SLF & SLFH Dimensions (in/mm)

Type	Size	Free & Oper Ht	A	C	E	G	H	J	Max Bolt Diam	Adjustment Bolt AB	Locking Cap Screw CS
SLF-	B	6	23/4	27/8	41/8	53/8	1/2	3/8	7/8x41/4	1/2x11/4	
	B2	63/4	23/4	27/8	41/8	53/8	1/2	3/8	7/8x41/4	1/2x11/4	
SLFH-	B	152	70	73	105	137	13	10	x 108	x 32	
	B2	171	70	73	105	137	13	10	x 108	x 32	
SLFH-	C2	63/4	31/8	33/8	43/4	61/8	1/2	3/8	7/8x41/4	1/2x11/4	
	C2	171	79	86	121	156	13	10	x 108	x 32	

Matching Height Saving Bracket

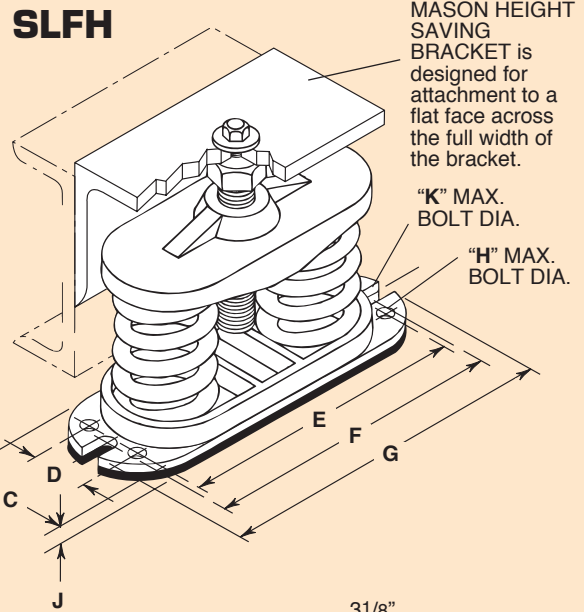
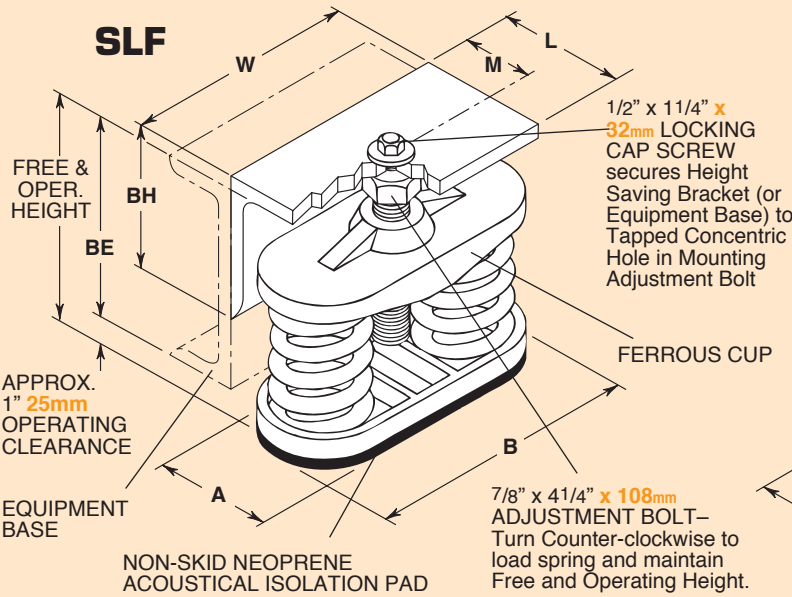
Type	Size	L (in) (mm)	M (in) (mm)	W (in) (mm)	BE (in) (mm)	BH (in) (mm)
SLF-	B	4 102	23/4 70	3 76	5 127	4 102
SLFH-	B2	4 102	23/4 70	3 76	53/4 146	4 102
	C2	4 102	23/4 70	3 76	53/4 146	4 102

SPRING CHARACTERISTICS (in/mm)

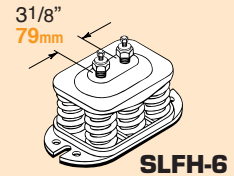
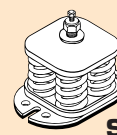
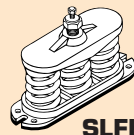
Spring Size	OD	Free Height	Ratio Kx/Ky	Ratio OD/OH
B	23/8 60	4 102	0.55-0.90	0.95-1.48
B2	23/8 60	41/2 114	0.55-0.90	0.95-1.48
C2	27/8 73	5 127	0.63-0.85	0.96-1.15

2" 51mm Deflection SLF MULTIPLE SPRING MOUNTS

Change designation to SLFH when base plate with bolt holes is required.



Multiple spring mounts have C2 size springs. SLF-2, SLF-3, SLF-4, & SLF-6 have 2, 3, 4, & 6 springs respectively. Illustrations show SLFH versions.



TYPE 2" 51mm Deflection SLF & SLFH Ratings (in/mm)

Type	Size	Rated Capacity (lbs) (kg)	Rated Defl. [†] (in) (mm)	Spring Constant (lbs/in) (kg/mm)	Spring Color/Stripe
SLF-	2-C2-340	340 154	2.40 61	140 2.52	Brown
	2-C2-420	420 191	2.30 58	180 3.30	Red
	2-C2-520	520 236	2.20 56	240 4.21	White
	2-C2-660	660 299	2.00 51	330 5.86	Black
	2-C2-920	920 417	2.00 51	460 8.18	Blue
	SLFH-	2-C2-1220	1220 553	2.00 51	610 10.84
2-C2-1760 [†]		1760 798	2.00 51	880 15.65	Gray
2-C2-2420 [†]		2420 1098	2.00 51	1210 21.53	Silver
2-C2-3080 [†]		3080 1397	2.00 51	1540 27.39	Gray*
2-C2-3740 [†]		3740 1696	2.00 51	1870 33.25	Silver*
3-C2-2640 [†]		2640 1197	2.00 51	1320 23.47	Gray
3-C2-3630 [†]		3630 1647	2.00 51	1815 32.29	Silver
3-C2-4620 [†]		4620 2096	2.00 51	2310 41.10	Gray*
3-C2-5610 [†]		5610 2545	2.00 51	2805 49.90	Silver*
4-C2-4840 [†]		4840 2195	2.00 51	2420 43.04	Silver
4-C2-6160 [†]	6160 2794	2.00 51	3080 54.78	Gray*	
4-C2-7480 [†]	7480 3393	2.00 51	3740 66.53	Silver*	
SLFH-	6-C2-7260 [†]	7260 3293	2.00 51	3630 64.57	Silver
	6-C2-9240 [†]	9240 4191	2.00 51	4620 82.18	Gray*
	6-C2-11220 [†]	11220 5089	2.00 51	5610 99.78	Silver*

All springs without "+" have additional travel *with Red inner spring to solid equal to 50% of the rated deflection.

[†]Published ratings allow minimum 25% additional travel to solid. For a full 50% specified minimum use the following ratings:

Size	Derated Capacity (lbs) (kg)	Defl. (in) (mm)	Size	Derated Capacity (lbs) (kg)	Defl. (in) (mm)	Size	Derated Capacity (lbs) (kg)	Defl. (in) (mm)	Size	Derated Capacity (lbs) (kg)	Defl. (in) (mm)
2-C2-1760	1600 726	1.83 46	3-C2-2640	2400 1089	1.67 42	4-C2-4840	4040 1833	1.67 42	6-C2-7260	6060 2749	1.67 42
2-C2-2420	2020 916	1.67 42	3-C2-3630	3030 1374	1.67 42	4-C2-6160	5145 2334	1.67 42	6-C2-9240	7715 3499	1.67 42
2-C2-3080	2570 1166	1.67 42	3-C2-4620	3860 1751	1.67 42	4-C2-7480	6245 2833	1.67 42	6-C2-11220	9370 4250	1.67 42
2-C2-3740	3120 1415	1.67 42	3-C2-5610	4685 2125	1.67 42						

TYPE 2" 51mm Deflection SLF & SLFH Dimensions (in/mm)

Type	Size	Free & Oper. Ht	A	B	C	D	E	F	G	Hole Max Bolt Diam	Slot Max Bolt Diam
SLF-	2	63/4	31/4	73/4	31/4	13/4	81/4	81/2	10	5/16	1/2 3/8
		171	83	197	83	44	210	216	254	8	13 10
SLFH-	3	63/4	33/8	91/2	33/8	13/4	10	101/4	113/4	5/16	1/2 3/8
		171	86	241	86	44	254	260	298	8	13 10
SLFH-	4	63/4	61/4	61/4	61/4	21/4	71/2	71/2	93/8	1/2	1/2 1/2
		171	159	159	159	57	191	191	229	13	13 13
SLFH-	6	63/4	63/8	91/2	63/8	21/4	103/4	103/4	125/8	1/2	1/2 1/2
		171	162	241	162	57	273	273	321	13	13 13

Matching Height Saving Bracket

BH- Bracket Height
BE- Bracket Elevation

Type	Size	L (in) (mm)	M (in) (mm)	W (in) (mm)	BE (in) (mm)	BH (in) (mm)
SLF-	2	4 102	2 1/2 64	6 152	5 3/4 146	4 102
	3	4 102	2 1/2 64	7 178	5 3/4 146	4 102
SLFH-	4	6 152	4 102	8 1/2 216	5 3/4 146	6 152
	6	7 178	5 127	11 3/4 298	5 3/4 146	7 178