



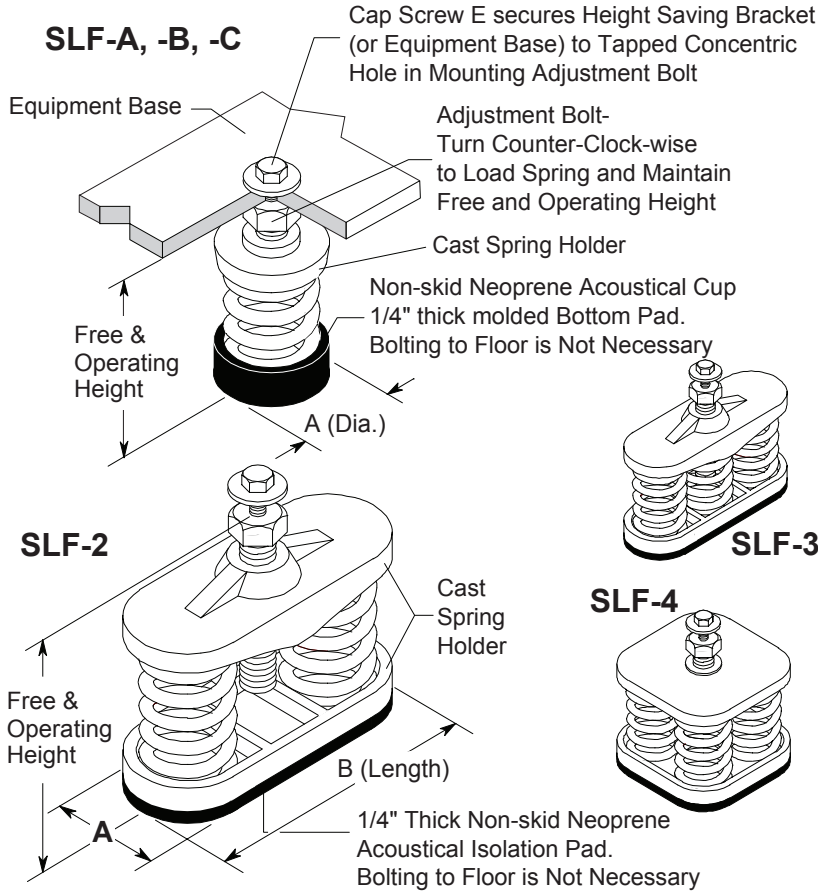
MASON INDUSTRIES, Inc.

Manufacturers of Vibration Control Products
 350 Rabro Drive 2101 W. Crescent Ave., Suite D
 Hauppauge, NY 11788 Anaheim, CA 92801
 631/348-0282 714/535-2727
 FAX 631/348-0279 FAX 714/535-5738
 Info@Mason-Ind.com Info@MasonAnaheim.com
 www.Mason-Ind.com

JOB NAME _____
 CUSTOMER _____
 CUSTOMER P.O. _____
 MASON M.I. _____
 DWG. NO. _____

SLF

1" Deflection
 Free Standing
 A, B, C, 2, 3 & 4
 Series Mountings



TYPE SLF RATINGS

Size	Rated Capacity (lbs)	Rated Defl. (in)	Mount Constant (lbs/in)	Spring Color/Stripe
SLF-A-45	45	1.60	28	Blue
SLF-A-75	75	1.50	50	Orange
SLF-A-125	125	1.33	94	Brown
SLF-A-200	200	1.15	174	Black
SLF-A-310	310	1.00	310	Yellow
SLF-A-400	400	1.00	400	Green
SLF-A-510	510	1.00	510	Red
SLF-A-625	625	1.00	625	White
SLF-B-65	65	2.10	31	Brown
SLF-B-85	85	2.10	40	White/Black
SLF-B-115	115	2.00	57	Silver
SLF-B-150	150	2.00	75	Orange
SLF-B-280	280	1.60	174	Green
SLF-B-450	450	1.31	344	Red
SLF-B-750	750	1.12	670	White
SLF-B-1000	1000	1.00	1000	Blue
SLF-C-1000	1000	1.00	1000	Black
SLF-C-1350	1350	1.00	1350	Yellow
SLF-C-1750	1750	1.00	1750	Black*
SLF-C-2100	2100	1.00	2100	Yellow*
SLF-C-2385	2385	1.00	2385	Yellow**
SLF-C-2650	2650	1.00	2650	Red*
SLF-C-2935	2935	1.00	2935	Red**
SLF-2-2700	2700	1.00	2700	Yellow
SLF-2-3500	3500	1.00	3500	Black
SLF-2-4200	4200	1.00	4200	Yellow*
SLF-2-4770	4770	1.00	4770	Yellow**
SLF-3-5250	5250	1.00	5250	Black*
SLF-3-6300	6300	1.00	6300	Yellow*
SLF-3-7155	7155	1.00	7155	Yellow**
SLF-3-7950	7950	1.00	7950	Red*
SLF-4-7000	7000	1.00	7000	Black*
SLF-4-8400	8400	1.00	8400	Yellow*
SLF-4-9540	9540	1.00	9540	Yellow**
SLF-4-10600	10600	1.00	10600	Red*

TYPE SLF DIMENSIONS (inches)

Size	Free & Oper. Height	A	B	Locking Cap Screw
SLF-A-45-400 [†]	4 1/4	2 1/8	-	3/8 x 1
510-625	4 5/8	2 1/8	-	3/8 x 1
SLF-B	6	2 3/4	-	1/2 x 1 1/4
SLF-C	6	3 1/4	-	1/2 x 1 1/4
SLF-2	6	3 1/4	7 3/4	1/2 x 1 1/4
SLF-3	6	3 3/8	9 1/2	1/2 x 1 1/4
SLF-4	6	6 1/4	6 1/4	1/2 x 1 1/4

SPRING DATA

Spring OD	Free HT	Ratio K _x /K _y	Ratio OD/OH
1 3/4	3	0.70-0.90	0.88-1.25
1 3/4	3 1/8-3 3/8	0.50-0.60	0.74-0.82
2 3/8	4	0.70-0.90	0.80-1.25
2 7/8	4 1/8	0.90-1.00	0.92-0.94
2 7/8	4 1/8	0.90-1.00	0.92-0.94
2 7/8	4 1/8	0.90-1.00	0.92-0.94
2 7/8	4 1/8	0.90-1.00	0.92-0.94

[†] If using 45 thru 400 with 510 or 625, Free & Operating Height is 4 5/8"

* with RED core spring ** with GREEN core spring

Multiple spring mounts have C size springs.
 SLF-2 indicates 2 springs; SLF-3, 3 springs; etc.
 All springs have additional travel to solid equal to 50% of the Rated Deflection. Solid Spring Height = Free Height minus 1.5 times the Rated Deflection.

PLAN VIEW OF MOUNT LOCATIONS

TAG : _____
 UNIT : _____



SPECIFIED DEFLECTION

1 :	6 :
2 :	7 :
3 :	8 :
4 :	9 :
5 :	10 :
Sets Required:	



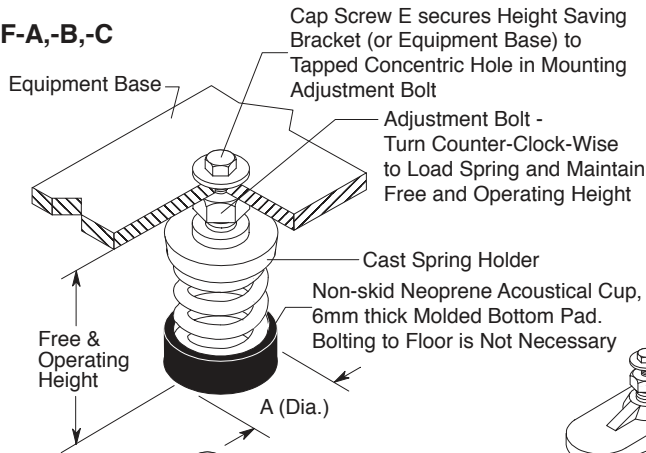
MASON INDUSTRIES, Inc.

Manufacturers of Vibration Control Products
 350 Rabro Drive 2101 W. Crescent Ave., Suite D
 Hauppauge, NY 11788 Anaheim, CA 92801
 631/348-0282 714/535-2727
 FAX 631/348-0279 FAX 714/535-5738
 Info@Mason-Ind.com Info@MasonAnaheim.com
 www.Mason-Ind.com

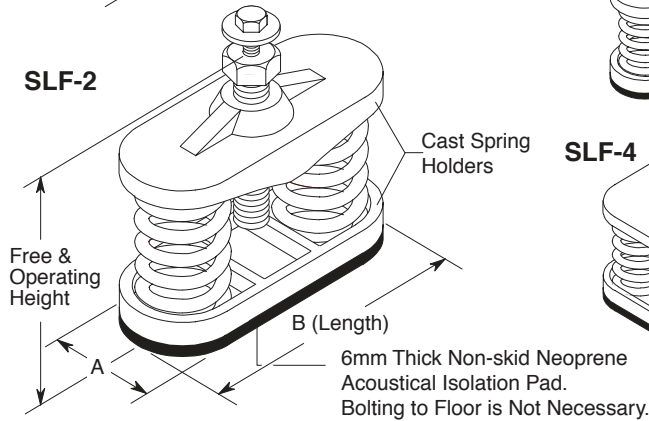
JOB NAME _____
 CUSTOMER _____
 CUSTOMER P.O. _____
 MASON M.I. _____
 DWG. NO. _____

TYPE
SLF
 25mm DEFLECTION
 A, B, C, 2, 3 & 4 Series
 MOUNTS

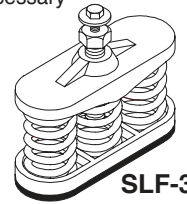
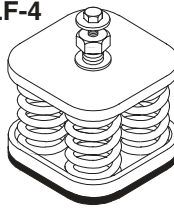
SLF-A,-B,-C



SLF-2



SLF-4



TYPE SLF RATINGS

Size	Rated Capacity (kg)	Rated Defl. (mm)	Mount Constant (kg/mm)	Spring Color/Stripe
SLF-A-45	20	41	0.5	Blue
SLF-A-75	34	38	0.9	Orange
SLF-A-125	57	34	1.7	Brown
SLF-A-200	91	29	3.1	Black
SLF-A-310	141	25	5.5	Yellow
SLF-A-400	181	25	7.1	Green
SLF-A-510	231	25	9.1	Red
SLF-A-625	283	25	11.2	White
SLF-B-65	29	53	0.6	Brown
SLF-B-85	39	53	0.7	White/Black
SLF-B-115	52	51	1.0	Silver
SLF-B-150	68	51	1.3	Orange
SLF-B-280	127	41	3.1	Green
SLF-B-450	204	33	6.1	Red
SLF-B-750	340	28	12.0	White
SLF-B-1000	454	25	17.9	Blue
SLF-C-1000	454	25	17.9	Black
SLF-C-1350	612	25	24.1	Yellow
SLF-C-1750	794	25	31.3	Black*
SLF-C-2100	953	25	37.5	Yellow*
SLF-C-2385	1082	25	42.6	Yellow**
SLF-C-2650	1202	25	47.3	Red*
SLF-C-2935	1331	25	52.4	Red**
SLF-2-2700	1225	25	48.2	Yellow
SLF-2-3500	1588	25	62.5	Black
SLF-2-4200	1905	25	75.0	Yellow*
SLF-2-4770	2164	25	85.2	Yellow**
SLF-3-5250	2381	25	93.8	Black*
SLF-3-6300	2858	25	112.5	Yellow*
SLF-3-7155	3245	25	127.8	Yellow**
SLF-3-7950	3606	25	142.0	Red*
SLF-4-7000	3175	25	125.0	Black*
SLF-4-8400	3810	25	150.0	Yellow*
SLF-4-9540	4327	25	170.4	Yellow**
SLF-4-10600	4808	25	189.3	Red*

TYPE SLF DIMENSIONS (mm)

Size	Free & Oper. Height	A	B	Locking Cap Screw
SLF-A-45-400#	108	54	-	3/8 x 1
510-625	118	54	-	3/8 x 1
SLF-B	152	70	-	1/2 x 1 1/4
SLF-C	152	83	-	1/2 x 1 1/4
SLF-2	152	83	197	1/2 x 1 1/4
SLF-3	152	86	241	1/2 x 1 1/4
SLF-4	152	159	159	1/2 x 1 1/4

SPRING DATA

Spring OD	Free HT	Ratio K _x /K _y	Ratio OD/OH
45	76	0.70-0.90	0.88-1.25
45	79-86	0.50-0.60	0.74-0.82
60	102	0.70-0.90	0.80-1.25
73	105	0.90-1.00	0.92-0.94
73	105	0.90-1.00	0.92-0.94
73	105	0.90-1.00	0.92-0.94

If using 45 thru 400 with 510 or 625, Free & Operating Height is 118 mm

* with RED core spring ** with GREEN core spring

Multiple spring mounts have C size springs. SLF-2 indicates 2 springs; SLF-3, 3 springs; etc.

All springs have additional travel to solid equal to 50% of the Rated Deflection. Solid Spring Height = Free Height minus 1.5 times the Rated Deflection.

PLAN VIEW OF MOUNT LOCATIONS

TAG : _____
 UNIT : _____



SPECIFIED DEFLECTION

1 :	6 :
2 :	7 :
3 :	8 :
4 :	9 :
5 :	10 :
Sets Required:	



MASON INDUSTRIES, Inc.

Manufacturers of Vibration Control Products

350 Rabro Drive 2101 W. Crescent Ave., Suite D
 Hauppauge, NY 11788 Anaheim, CA 92801
 631/348-0282 714/535-2727
 FAX 631/348-0279 FAX 714/535-5738
 Info@Mason-Ind.com Info@MasonAnaheim.com
 www.Mason-Ind.com

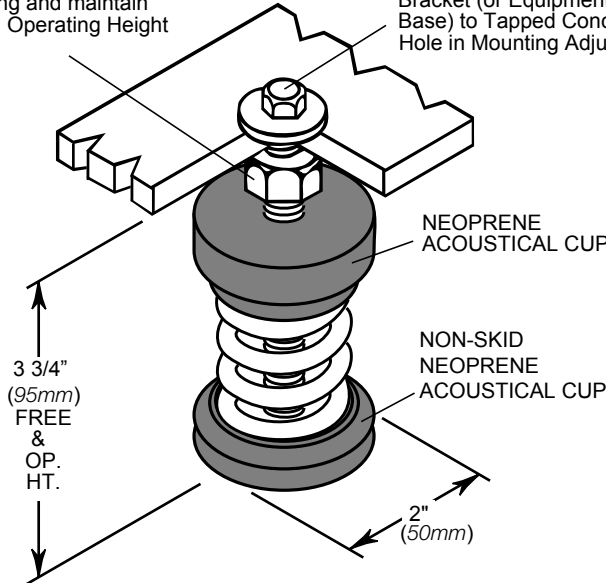
JOB NAME _____
 CUSTOMER _____
 CUSTOMER P.O. _____
 MASON M.I. _____
 DWG. NO. _____

SLF

1" (25mm) Defl.
 X Series Spring
 Mounts

1/2"-13 UNC x 2 1/2" (64mm)
 ADJUSTMENT BOLT
 Turn counterclockwise to
 load spring and maintain
 Free and Operating Height

1/4"-20UNC x 1" (25mm)
 LOCKING CAP SCREW
 secures Height Saving
 Bracket (or Equipment
 Base) to Tapped Concentric
 Hole in Mounting Adjustment Bolt



TYPE SLF RATINGS

Size	Rated Capacity (lbs) (kg)	Rated Defl. (in) (mm)	Mount Constant (lbs/in) (kg/mm)	Spring Color/Stripe
SLF-X-12	12 5	1.25 32	10 0.2	Orange
SLF-X-23	23 10	1.30 33	18 0.3	Brown
SLF-X-33	33 15	1.10 28	30 0.5	Red
SLF-X-54	54 25	1.20 30	45 0.8	White
SLF-X-76	76 35	1.02 26	73 1.3	Black
SLF-X-113	113 51	1.00 25	113 2.0	Yellow
SLF-X-130	130 59	1.00 25	130 2.4	Purple
SLF-X-175	175 80	1.00 25	175 3.2	Silver
SLF-X-210	210 95	1.00 25	210 3.8	Blue

All springs have additional travel to solid equal to 50% of the rated deflection.

Solid Spring Height = Free Height minus 1.5 times Rated Deflection.

SPRING DATA (in)(mm)

Size	Spring OD	Free HT.	Ratio Kx/Ky	Ratio OD/OH
12-130	1 1/2 38	23/8 60	0.86-1.00	1.09-1.40
175-210	1 1/2 38	25/8 67	0.75	0.92-1.00

CERTIFICATION DATA

TAG : _____
 UNIT : _____

PLAN VIEW OF MOUNT LOCATION:



SPECIFIED DEFLECTION

1 :	6 :
2 :	7 :
3 :	8 :
4 :	9 :
5 :	10 :
Sets Required:	



MASON INDUSTRIES, Inc.

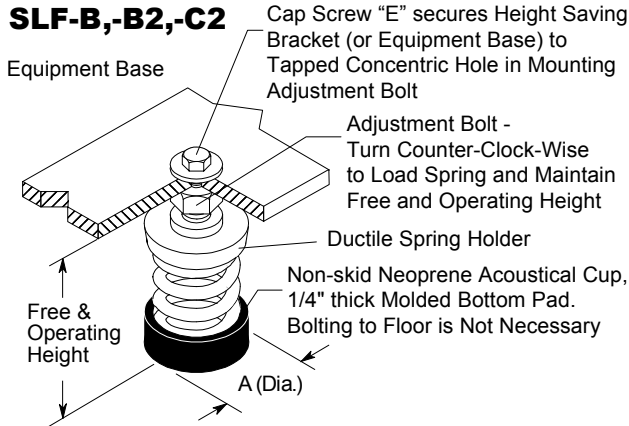
Manufacturers of Vibration Control Products
 350 Rabro Drive 2101 W. Crescent Ave., Suite D
 Hauppauge, NY 11788 Anaheim, CA 92801
 631/348-0282 714/535-2727
 FAX 631/348-0279 FAX 714/535-5738
 Info@Mason-Ind.com Info@MasonAnaheim.com
 www.Mason-Ind.com

JOB NAME _____
 CUSTOMER _____
 CUSTOMER P.O. _____
 MASON M.I. _____
 DWG. NO. _____

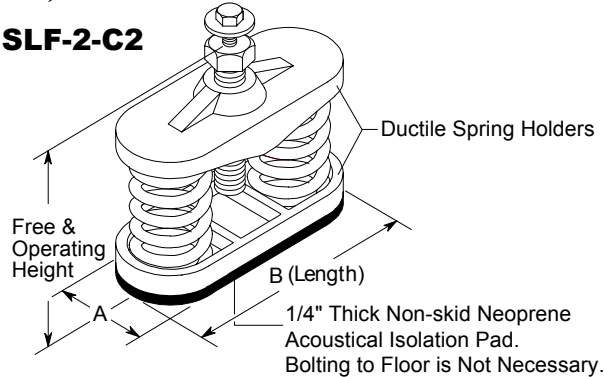
SLF

2" Deflection
 B, B2, C2 & 2-C2
 Series Mounts

SLF-B,-B2,-C2



SLF-2-C2



TYPE SLF DIMENSIONS (inches)

Size	Free & Oper. Height	A	B	Locking Cap Screw
SLF-B & B2	6 3/4	2 3/4	-	1/2 x 1 1/4
SLF-C2	6 3/4	3 1/4	-	1/2 x 1 1/4
SLF-2-C2	6 3/4	3 1/4	7 3/4	1/2 x 1 1/4

SPRING DATA

Spring OD	Free HT	Ratio K _x /K _y	Ratio OD/OH
2 3/8	4 - 4 1/2	0.55 - 0.90	0.79 - 1.18
2 7/8	5	0.63 - 0.85	0.96 - 1.15
2 7/8	5	0.63 - 0.85	0.96 - 1.15

TYPE SLF RATINGS

Size	Standard Ratings				Ratings at 50% additional travel to solid	
	Rated Capacity (lbs)	Rated Defl. (in)	Mount Constant (lbs/in)	Spring Color/Stripe	Capacity (lbs)	Defl. (in)
SLF-B-20	20	2.40	8	Tan	20	2.40
SLF-B-26	26	2.18	12	White/Blue	26	2.18
SLF-B-35	35	2.20	16	Purple	35	2.20
SLF-B-50	50	2.20	24	White/Red	50	2.20
SLF-B-65	65	2.10	31	Brown	65	2.10
SLF-B-85	85	2.10	40	White/Black	85	2.10
SLF-B-115	115	2.00	57	Silver	115	2.00
SLF-B-150	150	2.00	75	Orange	150	2.00
SLF-B2-210	210	2.12	99	Silver	210	2.12
SLF-B2-290	290	2.00	144	Blue	290	2.00
SLF-B2-450	450	2.00	224	Tan	410	1.83
SLF-B2-680	680	2.00	340	Gray	565	1.66
SLF-C2-125	125	2.50	50	Purple	125	2.50
SLF-C2-170	170	2.40	70	Brown	170	2.40
SLF-C2-210	210	2.30	90	Red	210	2.30
SLF-C2-260	260	2.20	120	White	260	2.20
SLF-C2-330	330	2.00	165	Black	330	2.00
SLF-C2-460	460	2.00	230	Blue	460	2.00
SLF-C2-610	610	2.00	305	Green	610	2.00
SLF-C2-880	880	2.00	440	Gray	800	1.82
SLF-C2-1210	1210	2.00	605	Silver	1010	1.67
SLF-C2-1540	1540	2.00	770	Gray*	1285	1.67
SLF-C2-1870	1870	2.00	935	Silver*	1560	1.67
SLF-2-C2-340	340	2.40	140	Brown	340	2.40
SLF-2-C2-420	420	2.30	180	Red	420	2.30
SLF-2-C2-520	520	2.20	240	White	520	2.20
SLF-2-C2-660	660	2.00	330	Black	660	2.00
SLF-2-C2-920	920	2.00	460	Blue	920	2.00
SLF-2-C2-1220	1220	2.00	610	Green	1220	2.00
SLF-2-C2-1760	1760	2.00	880	Gray	1600	1.82
SLF-2-C2-2420	2420	2.00	1210	Silver	2020	1.67
SLF-2-C2-3080	3080	2.00	1540	Gray*	2570	1.67
SLF-2-C2-3740	3740	2.00	1870	Silver*	3120	1.67

* with RED core spring

Multiple spring mounts have C size springs. Type SLF-2 has 2 springs. SLF-B2-450, B2-660, C2-880 thru C2-1870 and 2-C2-1760 thru 2-C2-3740 mounts have minimum 25% of rated deflection additional travel to solid. The last two columns show ratings at 50% additional travel.

PLAN VIEW OF MOUNT LOCATIONS

TAG : _____
 UNIT : _____



SPECIFIED DEFLECTION

1 :	6 :
2 :	7 :
3 :	8 :
4 :	9 :
5 :	10 :
Sets Required:	



MASON INDUSTRIES, Inc.

Manufacturers of Vibration Control Products

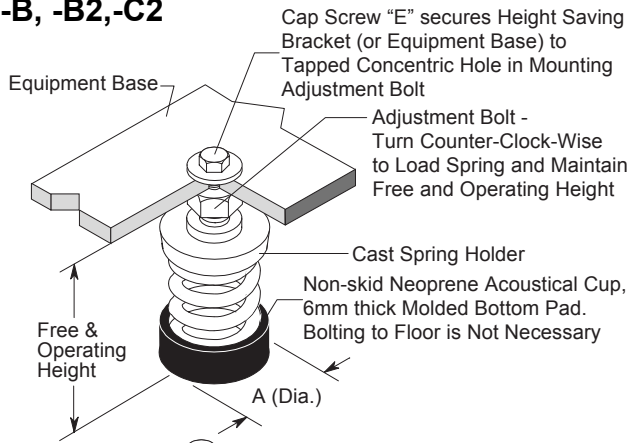
350 Rabro Drive 2101 W. Crescent Ave., Suite D
 Hauppauge, NY 11788 Anaheim, CA 92801
 631/348-0282 714/535-2727
 FAX 631/348-0279 FAX 714/535-5738
 Info@Mason-Ind.com Info@MasonAnaheim.com
 www.Mason-Ind.com

JOB NAME _____
 CUSTOMER _____
 CUSTOMER P.O. _____
 MASON M.I. _____
 DWG. NO. _____

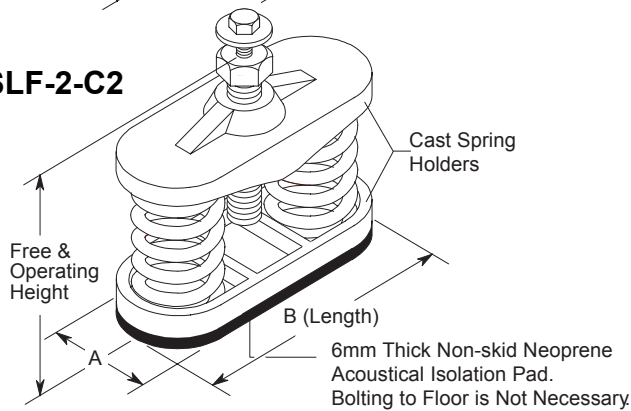
SLF

50mm Deflection
 B, B2, C2 & 2-C2
 Series Mountings

SLF-B, -B2, -C2



SLF-2-C2



SLF-B2-450, B2-680, C2-880 thru C2-1870 & 2-C2-1760 thru 2-C2-3740 mounts have minimum 25% of rated deflection additional travel to solid. The last two columns below show ratings at 50% additional travel.

TYPE SLF RATINGS

*with RED core spring

Size	Standard Ratings				Ratings at 50% additional travel to solid	
	Rated Capacity (kg)	Rated Defl (mm)	Mount Constant (kg/mm)	Spring Color/Stripe	Capacity (kg)	Defl (mm)
SLF-B-20	9	61	0.2	Tan	9	61
SLF-B-26	12	55	0.2	White/Blue	12	55
SLF-B-35	16	56	0.3	Purple	16	56
SLF-B-50	23	56	0.4	White/Red	23	56
SLF-B-65	29	53	0.5	Brown	29	53
SLF-B-85	39	53	0.7	White/Black	39	53
SLF-B-115	52	50	1.0	Silver	52	50
SLF-B-150	68	50	1.4	Orange	68	50
SLF-B2-210	95	53	1.8	Silver	95	53
SLF-B2-290	131	50	2.6	Blue	131	50
SLF-B2-450	204	50	4.0	Tan	186	46
SLF-B2-680	308	50	6.0	Gray	256	42
SLF-C2-125	57	64	0.9	Purple	57	64
SLF-C2-170	77	61	1.3	Brown	77	61
SLF-C2-210	95	58	1.6	Red	95	58
SLF-C2-260	118	56	2.1	White	118	56
SLF-C2-330	149	50	2.9	Black	149	50
SLF-C2-460	208	50	4.1	Blue	208	50
SLF-C2-610	276	50	5.5	Green	276	50
SLF-C2-880	399	50	8.0	Gray	362	46
SLF-C2-1210	548	50	11.0	Silver	457	42
SLF-C2-1540	698	50	14.0	Gray	582	42
SLF-C2-1870	847	50	17.0	Silver	706	42
SLF-2-C2-340	170	61	2.5	Brown	154	61
SLF-2-C2-420	190	58	3.3	Red	190	58
SLF-2-C2-520	236	56	4.2	White	236	56
SLF-2-C2-660	298	50	5.9	Black	299	50
SLF-2-C2-920	416	50	8.3	Blue	417	50
SLF-2-C2-1220	552	50	11.0	Green	552	50
SLF-2-C2-1760	798	50	16.0	Gray	725	46
SLF-2-C2-2420	1096	50	22.0	Silver	915	42
SLF-2-C2-3080	1396	50	28.0	Gray	1164	42
SLF-2-C2-3740	1694	50	34.0	Silver	1413	42

TYPE SLF DIMENSIONS (mm)

Size	Free & Oper Height	A	B	Locking Cap Screw E	SPRING DATA			
					Spring OD	Free HT.	Ratio Kx/Ky	Ratio OD/OH
SLF-B & B2	171	70	—	1/2"x11/4"	60	102-114	0.55-0.90	0.79-1.18
SLF-C2	171	83	—	1/2"x11/4"	73	127	0.63-0.85	0.96-1.15
SLF-2-C2	171	83	197	1/2"x11/4"	73	127	0.63-0.85	0.96-1.15

Multiple spring mounts have C size springs. SLF-2 indicates 2 springs.

PLAN VIEW OF MOUNT LOCATIONS

TAG : _____
 UNIT : _____



SPECIFIED DEFLECTION

1 :	6 :
2 :	7 :
3 :	8 :
4 :	9 :
5 :	10 :
Sets Required:	



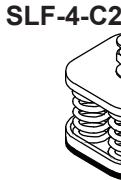
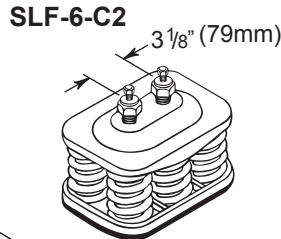
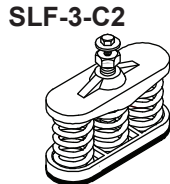
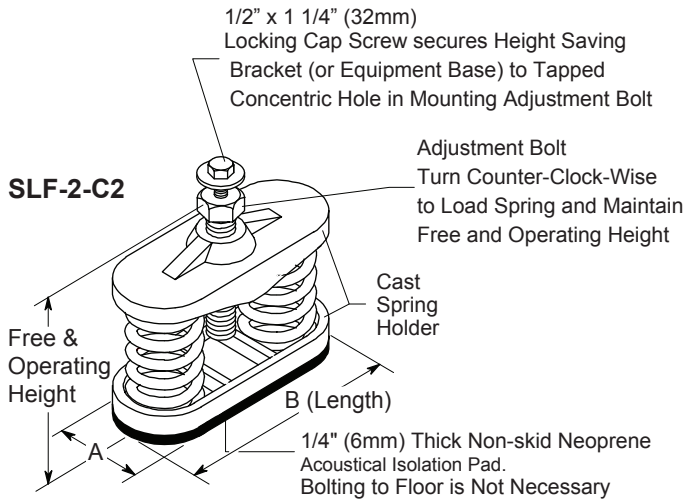
MASON INDUSTRIES, Inc.

Manufacturers of Vibration Control Products
 350 Rabro Drive 2101 W. Crescent Ave., Suite D
 Hauppauge, NY 11788 Anaheim, CA 92801
 631/348-0282 714/535-2727
 FAX 631/348-0279 FAX 714/535-5738
 Info@Mason-Ind.com Info@MasonAnaheim.com
 www.Mason-Ind.com

JOB NAME _____
 CUSTOMER _____
 CUSTOMER P.O. _____
 MASON M.I. _____
 DWG. NO. _____

SLF

2" Deflection
 Free Standing
 2-C2, 3-C2,
 4-C2 & 6-C2
 Series Mountings



TYPE SLF RATINGS

Size	Rated Capacity (lbs) (kg)	Rated Deflection (in) (mm)	Mount Constant (lbs/in)(kg/mm)	Spring Color/Stripe
2-C2-1220	1220 553	2.00 51	610 10.84	Green
2-C2-1760 [†]	1760 798	2.00 51	880 15.65	Gray
2-C2-2420 [†]	2420 1098	2.00 51	1210 21.53	Silver
2-C2-3080 [†]	3080 1397	2.00 51	1540 27.39	Gray*
2-C2-3740 [†]	3740 1696	2.00 51	1870 33.25	Silver*
3-C2-2640 [†]	2640 1197	2.00 51	1320 23.47	Gray
3-C2-3630 [†]	3630 1647	2.00 51	1815 32.29	Silver
3-C2-4620 [†]	4620 2096	2.00 51	2310 51.10	Gray*
3-C2-5610 [†]	5610 2545	2.00 51	2805 49.90	Silver*
4-C2-4840 [†]	4840 2195	2.00 51	2420 43.04	Silver
4-C2-6160 [†]	6160 2794	2.00 51	3080 54.78	Gray
4-C2-7480 [†]	7480 3393	2.00 51	3740 66.53	Silver*
6-C2-7260 [†]	7260 3298	2.00 51	3630 64.57	Silver
6-C2-9240 [†]	9240 4191	2.00 51	4620 82.18	Gray*
6-C2-11220 [†]	11220 5089	2.00 51	5610 99.78	Silver*

All springs without "†" have additional travel equal to 50% of the rated deflection.

*with Red inner spring

TYPE SLF DIMENSIONS

Size	Free & Oper. Height		A		B	
	(in)	(mm)	(in)	(mm)	(in)	(mm)
SLF-2-C2	6 3/4	171	3 1/4	83	7 3/4	197
SLF-3-C2	6 3/4	171	3 3/8	86	9 1/2	241
SLF-4-C2	6 3/4	171	6 1/4	159	6 1/4	159
SLF-6-C2	6 3/4	171	6 3/8	83	7 3/4	197

[†] Published ratings allow minimum 25% additional travel to solid. For a full 50% specified minimum, use the following ratings:

Size	Derated Capacity (lbs) (kg)	Defl. (in) (mm)	Size	Derated Capacity (lbs) (kg)	Defl. (in) (mm)	Size	Derated Capacity (lbs) (kg)	Defl. (in) (mm)	Size	Derated Capacity (lbs) (kg)	Defl. (in) (mm)
2-C2-1760	1600 726	1.83 46	3-C2-2640	2700 1089	1.67 42	4-C2-4840	4040 1833	1.67 42	6-C2-7260	6060 2749	1.67 42
2-C2-2420	2020 916	1.67 42	3-C2-3630	3030 1374	1.67 42	4-C2-6160	5145 2334	1.67 42	6-C2-6240	7715 3499	1.67 42
2-C2-3050	2570 1166	1.67 42	3-C2-4620	3860 1751	1.67 42	4-C2-7480	6245 2833	1.67 42	6-C2-11220	9370 4250	1.67 42
2-C2-3740	3120 1415	1.67 42	3-C2-5610	4685 2125	1.67 42						

PLAN VIEW OF MOUNT LOCATIONS

TAG : _____
 UNIT : _____



SPECIFIED DEFLECTION

1 :	6 :
2 :	7 :
3 :	8 :
4 :	9 :
5 :	10 :
Sets Required:	



MASON INDUSTRIES, Inc.

Manufacturers of Vibration Control Products

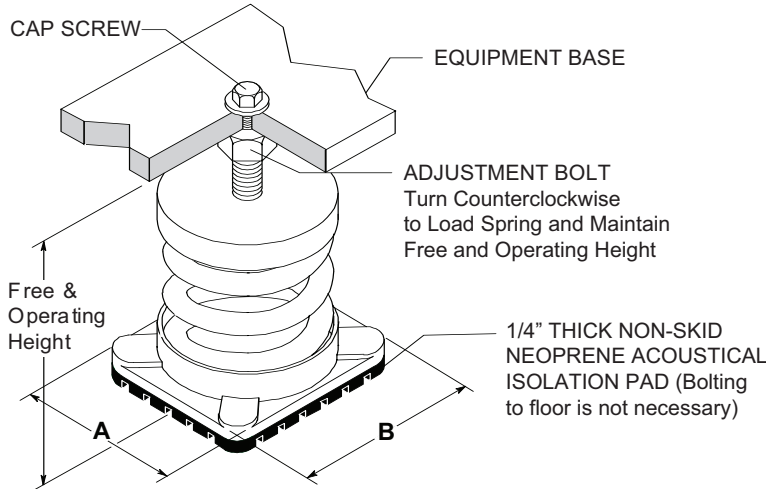
350 Rabro Drive
Hauppauge, NY 11788
631/348-0282
FAX 631/348-0279
Info@Mason-Ind.com

2101 W. Crescent Ave., Suite D
Anaheim, CA 92801
714/535-2727
FAX 714/535-5738
Info@MasonAnaheim.com
www.Mason-Ind.com

JOB NAME _____
CUSTOMER _____
CUSTOMER P.O. _____
MASON M. _____
DWG No. _____

SLF

**2" 50mm
Deflection
100 Series
Spring Mounts**



Cap Screw secures Height Saving Bracket (or Equipment Base) to Tapped Concentric Hole in Mounting Adjustment Bolt.

All springs have additional travel to solid equal to 50% of the rated deflection.

Solid Spring Height = Free Height minus 1.5 times Rated Deflection.

OD/OH = Ration of Spring Outside Diameter to Operating Height
= 0.82 - 1.15

Holders for mounts SLF-101 thru SLF-117 are castings. Holders for mounts SLF-118 are steel.

TYPE SLF LOAD RATINGS and DIMENSIONS (inches mm)

Size	Rated Capacity (lbs) (kg)	Rated Defl. (in) (mm)	Mount Constant (lbs/in)(kg/mm)	Spring Color/ Stripe	Spring Only		Free & Oper Ht	A	B	Adjust- ment Bolt AB	Locking Cap Screw CS
					Spring OD	Free Height					
SLF-101	125 57	2.50 64	50 0.89	Purple	33/4 95	53/4 146					
SLF-102	200 91	2.50 64	80 1.42	Brown	33/4 95	53/4 146					
SLF-103	310 141	2.50 64	125 2.20	Pink	33/4 95	53/4 146					
SLF-104	500 227	2.50 64	200 3.55	Green	33/4 95	53/4 146	71/4 184	41/4 108	43/4 120	7/8x53/4 x 146	1/2x11/4 x 34
SLF-105	740 336	2.40 61	310 5.51	Red	33/4 95	53/4 146					
SLF-106	1050 476	2.10 53	500 8.98	White	33/4 95	57/8 149					
SLF-107	1400 635	2.00 51	700 12.45	Blue	33/4 95	57/8 149					
SLF-108	1660 753	2.05 52	810 14.48	Silver	41/2 114	63/4 171	83/8 213	5 127	51/4 133		
SLF-109	2250 1021	2.00 51	1125 20.02	Orange	41/2 114	71/2 191	9 229	5 127	51/4 133	7/8x53/4 x 146	1/2x11/4 x 34
SLF-110	3000 1361	2.00 51	1500 26.69	Gray	5 127	71/2 191	9 229	51/2 140	61/2 165		
SLF-111	4000 1814	2.00 51	2000 35.57	Tan	5 127	71/2 191	9 229	51/2 140	61/2 165		
SLF-112	5300 2404	2.00 51	2665 47.14	Black	51/2 140	81/2 216	101/8 257	6 152	7 178		
SLF-113	7100 3221	2.00 51	3550 63.16	Yellow	6 152	83/4 222	101/2 267	65/8 168	71/2 191	1 x 6 x 152	1/2x11/4 x 34
SLF-114	9300 4218	2.00 51	4650 82.71	Blue/Orng	63/4 171	10 254	12 305	71/2 191	71/2 191		
SLF-115	12600 5715	2.00 51	6300 112.06	Blue/Red	63/4 171	10 254	12 305	71/2 191	71/2 191	11/4x6 x 152	5/8x11/2x38 x 38
SLF-116	16800 7620	2.00 51	8400 149.41	Blue/White	73/4 197	101/8 257	13 330	81/2 216	81/2 216	11/2 x 8 x 203	3/4x2 x 51
SLF-117	28500 12927	2.55 65	11175 198.88	Blue/Silver	83/4 222	131/8 333	16 406	91/2 241	91/2 241		
SLF-118	40000 18144	2.10 53	19000 342.34	Blue/Gray	93/8 238	131/8 333	16 406	101/2 267	101/2 267	2 x 8 x 203	1x21/2 x64

PLAN VIEW OF MOUNT LOCATIONS

TAG: _____
UNIT: _____



SPECIFIED DEFLECTION

1:	6:
2:	7:
3:	8:
4:	9:
5:	10:
Sets Required:	



MASON INDUSTRIES, Inc.

Manufacturers of Vibration Control Products

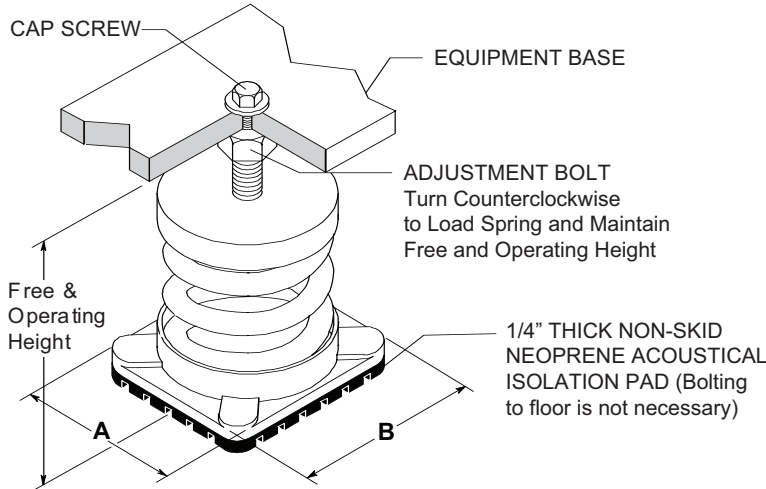
350 Rabro Drive
Hauppauge, NY 11788
631/348-0282
FAX 631/348-0279
Info@Mason-Ind.com

2101 W. Crescent Ave., Suite D
Anaheim, CA 92801
714/535-2727
FAX 714/535-5738
Info@MasonAnaheim.com
www.Mason-Ind.com

JOB NAME _____
CUSTOMER _____
CUSTOMER P.O. _____
MASON M. _____
DWG No. _____

SLF

**3" 75mm
Deflection
100 Series
Spring Mounts**



Cap Screw secures Height Saving Bracket (or Equipment Base) to Tapped Concentric Hole in Mounting Adjustment Bolt.

All springs have additional travel to solid equal to 50% of the rated deflection.

Solid Spring Height = Free Height minus 1.5 times Rated Deflection.

OD/OH = Ratio of Spring Outside Diameter to Operating Height = 0.82 - 1.15

Holders for mounts SLF-126 thru SLF-140 are castings.

Holders for mounts SLF-141-143 are steel.

TYPE SLF LOAD RATINGS and DIMENSIONS (inches mm)

Type and Size	Rated Capacity (lbs) (kg)	Rated Defl. (in) (mm)	Mount Constant (lbs/in)(kg/mm)	Spring Color/Stripe	Spring Only		Free & Oper Ht		A	B	Adjustment Bolt AB	Locking Cap Screw CS		
					Spring OD	Free Height								
SLF-126	195 88	3.25 83	60 1.06	Purple	33/4 95	63/8 162	8	203	41/4 108	43/4 121	7/8x53/4 x 146	1/2x11/4 x 32		
SLF-127	280 127	3.25 83	85 1.53	Brown	33/4 95	61/2 165	8	203	41/4 108	43/4 121				
SLF-128	390 177	3.25 83	120 2.13	Orange	4	102	61/2 165	8	203	41/2 114			5	127
SLF-129	520 236	3.25 83	160 2.84	Green	4	102	7 178	8 1/2	216	4 1/2 114			5	127
SLF-130	710 322	3.25 83	220 3.88	Red	4 1/2	114	7 1/4 184	9	229	5			127	5 1/4 133
SLF-131	940 426	3.25 83	290 5.13	White	4 1/2	114	7 1/2 191	9	229	5			127	5 1/4 133
SLF-132	1280 581	3.25 83	395 7.00	Blue	5	127	7 7/8 200	9 1/2	241	5 1/2 140	6 1/2 165			
SLF-133	1770 803	3.25 83	545 9.67	Black	5 1/2	140	9 1/4 235	11	279	6	152	7 178		
SLF-134	2490 1129	3.25 83	765 13.60	Yellow	5 1/2	140	9 1/4 235	11	279	6	152	7 178		
SLF-135	3300 1497	3.25 83	1000 18.04	Gray	6	152	9 1/2 241	11 1/8	283	6 5/8 168	7 1/2 191			
SLF-136	4500 2041	3.25 83	1370 24.59	Blue/Brown	6 3/4	171	9 3/4 235	11 3/4	298	7 1/2 191	7 1/2 191	1 x 6 x 152	1/2x11/4 x 32	
SLF-137	6200 2818	3.25 83	1900 33.88	Blue/Orng	7 3/4	197	10 7/8 276	13 1/4	337	8 1/2 216	8 1/2 216	11/4x8 x 203	5/8x11/2 x 38	
SLF-138	8300 3765	3.25 83	2560 45.36	Blue/Red	7 3/4	197	11 279	13 1/4	337	8 1/2 216	8 1/2 216			
SLF-139	11400 5171	3.25 83	3500 62.30	Blue/White	7 3/4	197	12 1/4 311	14 3/8	365	8 1/2 216	8 1/2 216			
SLF-140	15200 6895	3.25 83	4685 83.07	Blue/Silver	8 3/4	222	12 3/4 324	15 1/2	394	9 1/2 241	9 1/2 241	11/2x8 x 51	3/4x 2	
SLF-141	20300 9208	3.25 83	6245 110.94	Blue/Gray	9 1/2	241	13 1/2 343	16 1/2	419	10 1/2 267	10 1/2 267	13/4x 8 x 203	3/4x 2 x 51	
SLF-142	28400 12882	3.25 83	8750 155.20	Blue/Green	10 1/4	260	15 381	18	457	11	279	11	279	
SLF-143	39000 17690	3.25 83	12000 213.13	Blue/Yellow	11	279	16 1/8 410	19	483	12	305	12	305	

PLAN VIEW OF MOUNT LOCATIONS

TAG: _____
UNIT: _____



SPECIFIED DEFLECTION

1:	6:
2:	7:
3:	8:
4:	9:
5:	10:
Sets Required:	



MASON INDUSTRIES, Inc.

Manufacturers of Vibration Control Products

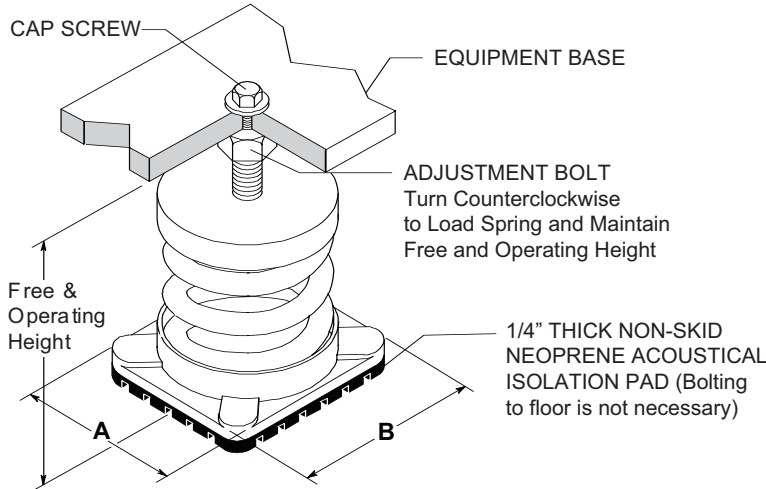
350 Rabro Drive Hauppauge, NY 11788
 631/348-0282
 FAX 631/348-0279
 Info@Mason-Ind.com

2101 W. Crescent Ave., Suite D
 Anaheim, CA 92801
 714/535-2727
 FAX 714/535-5738
 Info@MasonAnaheim.com
 www.Mason-Ind.com

JOB NAME _____
 CUSTOMER _____
 CUSTOMER P.O. _____
 MASON M. _____
 DWG No. _____

SLF

4" 100mm
 Deflection
 100 Series
 Spring Mounts



Cap Screw secures Height Saving Bracket (or Equipment Base) to Tapped Concentric Hole in Mounting Adjustment Bolt.

All springs have additional travel to solid equal to 50% of the rated deflection.

Solid Spring Height = Free Height minus 1.5 times Rated Deflection.

OD/OH = Ratio of Spring Outside Diameter to Operating Height
 = 0.82 - 1.15

Holders for mounts SLF-150 thru SLF-164 are castings. Holders for mounts SLF-165 thru SLF-169 are steel.

TYPE SLF LOAD RATINGS and DIMENSIONS (inches mm)

Type and Size	Rated Capacity (lbs) (kg)	Rated Defl. (in) (mm)	Mount Constant (lbs/in)(kg/mm)	Spring Color/Stripe	Spring Only		Free & Oper Ht	A	B	Adjustment Bolt AB	Locking Cap Screw CS
					Spring OD	Free Height					
SLF-150	240 109	4.38 121	55 0.98	Purple	5	127	83/8 213				
SLF-151	330 150	4.38 121	75 1.35	Brown	5	127	81/2 213				
SLF-152	420 191	4.38 121	95 1.72	Orange	5	127	83/8 213	10	254	5 1/2 140	6 1/2 165
SLF-153	530 240	4.38 121	120 2.16	Green	5	127	83/8 213				
SLF-154	680 308	4.38 121	155 2.77	Red	6	152	87/8 225	10 3/4 273	65/8 168	7 1/2 191	
SLF-155	880 399	4.38 121	200 3.59	White	6	152	91/8 232	10 3/4 273	65/8 168	7 1/2 191	
SLF-156	1120 508	4.38 121	255 4.58	Blue	6	152	97/8 251	12	305	65/8 168	7 1/2 191
SLF-157	1420 644	4.38 121	325 5.80	Black	6	152	10 254	12	305	65/8 168	7 1/2 191
SLF-158	1840 835	4.38 121	420 7.52	Yellow	6 3/4	171	10 3/8 264	12 1/8 308	7 1/2 191	7 1/2 191	1 x 8 5/8x11/2
SLF-159	2370 1075	4.38 121	540 9.68	Gray	6 3/4	171	11 1/8 283	13 330	7 1/2 191	7 1/2 191	x 203 x 38
SLF-160	3000 1361	4.38 121	695 12.26	Blue/Brwn	7 3/4	197	10 7/8 276	13 330	8 1/2 216	8 1/2 216	1 1/4 x 8 5/8x11/2
SLF-161	3900 1769	4.38 121	895 15.94	Blue/Red	7 3/4	197	11 3/8 289	13 1/2 343	8 1/2 216	8 1/2 216	x 203 x 38
SLF-162	5100 2313	4.38 121	1155 20.84	Blue/Orng	8 3/4	222	11 1/2 292	14 356	9 1/2 241	9 1/2 241	
SLF-163	6500 2948	4.38 121	1485 26.56	Blue/White	8 3/4	222	13 1/4 337	16 406	9 1/2 241	9 1/2 241	1 1/2 x 8 3/4 x 2
SLF-164	8400 3810	4.38 121	1910 34.32	Blue/Silver	8 3/4	222	13 3/8 340	16 406	9 1/2 241	9 1/2 241	x 203 x 51
SLF-165	10800 4899	4.38 121	2455 44.14	Blue/Gray	9 3/8	238	14 1/8 359	17 432	10 1/2 267	10 1/2 267	
SLF-166	13800 6260	4.38 121	3160 56.40	Blue/Green	10	254	15 3/8 391	19 483	11 279	11 279	1 3/4 x 8 3/4 x 2
SLF-167	17800 8074	4.38 121	4065 72.74	Blue/Yellow	11	279	15 7/8 403	19 483	12 305	12 305	x 203 x 51
SLF-168	22900 10387	4.38 121	5235 93.58	Blue/Pink	11	279	17 432	20 508	12 305	12 305	2 x 8 1 x 2 1/2
SLF-169	30000 13608	4.38 121	6730 122.59	Blue/Tan	11 5/8	295	18 457	21 533	13 330	13 330	x 203 x 76

PLAN VIEW OF MOUNT LOCATIONS

TAG: _____
 UNIT: _____



SPECIFIED DEFLECTION

1:	6:
2:	7:
3:	8:
4:	9:
5:	10:
Sets Required:	



MASON INDUSTRIES, Inc.

Manufacturers of Vibration Control Products

350 Rabro Drive 2101 W. Crescent Ave., Suite D
 Hauppauge, NY 11788 Anaheim, CA 92801
 631/348-0282 714/535-2727
 FAX 631/348-0279 FAX 714/535-5738
 Info@Mason-Ind.com Info@MasonAnaheim.com

JOB NAME _____
 CUSTOMER _____
 CUSTOMER P.O. _____
 MASON M.I. _____
 DWG. NO. _____

SLF

5" Deflection
 Free Standing
 Spring Mounts

Cap Screw secures Height Saving Bracket (or Equipment Base) to Tapped Concentric Hole in Mounting Adjustment Bolt.

For mounts SLF-174 thru SLF-182:

Cap Screws are: 1/2" x 1 1/4"

For mounts SLF-183 thru SLF-186:

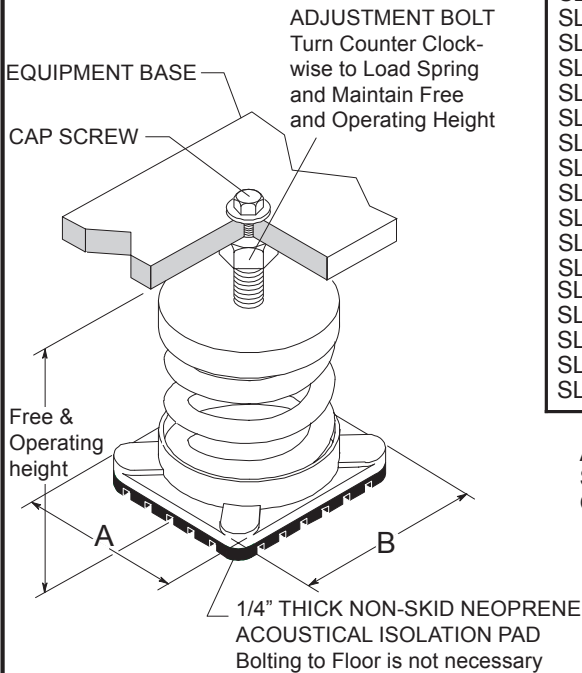
Cap Screws are: 5/8" x 1 1/2"

For mounts SLF-187 thru SLF-193:

Cap Screws are: 3/4" x 2"

For mounts SLF-194 thru SLF-198:

Cap Screws are: 1" x 2 1/2"



TYPE SLF LOAD RATINGS and DIMENSIONS (inches)

Size	Rated Capacity (lbs)	Rated Defl. (in)	Mount Constant (lbs/in)	Spring Only			Free & Oper. Ht	Complete Mount	
				OD	Ht	Color/Stripe		A	B
SLF-174	270	5.31	50	6	9 7/8	Purple	12	6 5/8	7 1/2
SLF-175	320	5.31	60	6	10	Brown	12	6 5/8	7 1/2
SLF-176	370	5.31	70	6	10	Orange	12	6 5/8	7 1/2
SLF-177	460	5.38	85	6	10 1/2	Green	12	6 5/8	7 1/2
SLF-178	560	5.38	105	6	10 3/4	Red	12 5/8	6 5/8	7 1/2
SLF-179	670	5.38	125	6 3/4	11 1/8	White	13 1/4	7 1/2	7 1/2
SLF-180	830	5.38	155	6 3/4	11 3/8	Blue	13 1/4	7 1/2	7 1/2
SLF-181	1000	5.38	185	6 3/4	11 1/8	Black	13 1/4	7 1/2	7 1/2
SLF-182	1240	5.37	230	6 3/4	11 3/8	Yellow	13 1/4	7 1/2	7 1/2
SLF-183	1500	5.37	280	7 3/4	12 1/2	Gray	15	8 1/2	8 1/2
SLF-184	1830	5.37	340	7 3/4	11 7/8	Pink	15	8 1/2	8 1/2
SLF-185	2230	5.37	415	7 3/4	12	Silver	15	8 1/2	8 1/2
SLF-186	2710	5.37	505	7 3/4	12 3/4	Tan	15	8 1/2	8 1/2
SLF-187	3300	5.37	615	8 3/4	12 3/4	Blue / Org	15 1/2	9 1/2	9 1/2
SLF-188	4100	5.37	755	8 3/4	13 3/8	Blue / Red	16	9 1/2	9 1/2
SLF-189	4900	5.37	915	9 1/8	13 1/2	Blue / White	16	9 1/2	9 1/2
SLF-190	6000	5.37	1120	9 1/2	14 5/8	Blue / Yellow	17	10 1/2	10 1/2
SLF-191	7300	5.37	1365	9 1/2	15 1/4	Blue / Silvr	17 1/2	10 1/2	10 1/2
SLF-192	9000	5.37	1670	10 1/4	15 5/8	Blue / Gray	18	11	11
SLF-193	11000	5.37	2040	10 1/4	16	Blue / Tan	18	11	11
SLF-194	13300	5.37	2482	11	16 1/4	Blue / Brwn	19	12	12
SLF-195	16300	5.37	3028	11 3/8	17 1/8	Blue / Pink	20	12	12
SLF-196	19800	5.37	3694	11 5/8	18	Blue / Blck	21	13	13
SLF-197	24200	5.37	4506	13	19 1/2	Blue / Grn	23	14	14
SLF-198	29000	5.27	5500	13	19 1/8	Blue / Prpl	23	14	14

All springs have additional travel to solid equal to 50% of the rated deflection.
 Solid Spring Height = Free Height minus 1.5 times Rated Deflection.
 OD/OH = Ratio of Spring Outside Diameter to Operating Height = 0.9 - 1.23

Holders for mounts SLF-174 thru SLF-188 are castings.
 Holders for mounts SLF-189 thru SLF-198 are steel.

CERTIFICATION DATA

TAG : _____

UNIT : _____

PLAN VIEW OF MOUNT LOCATION:



SPECIFIED DEFLECTION

1 :	6 :
2 :	7 :
3 :	8 :
4 :	9 :
5 :	10 :

Sets Required: