



# MASON INDUSTRIES, Inc.

Manufacturers of Vibration Control Products

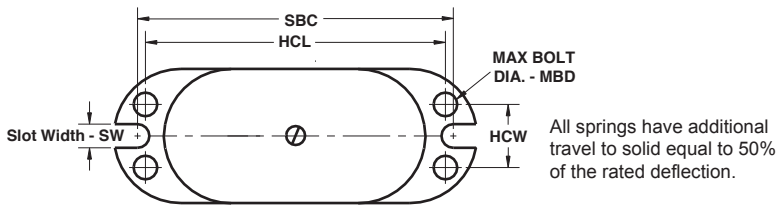
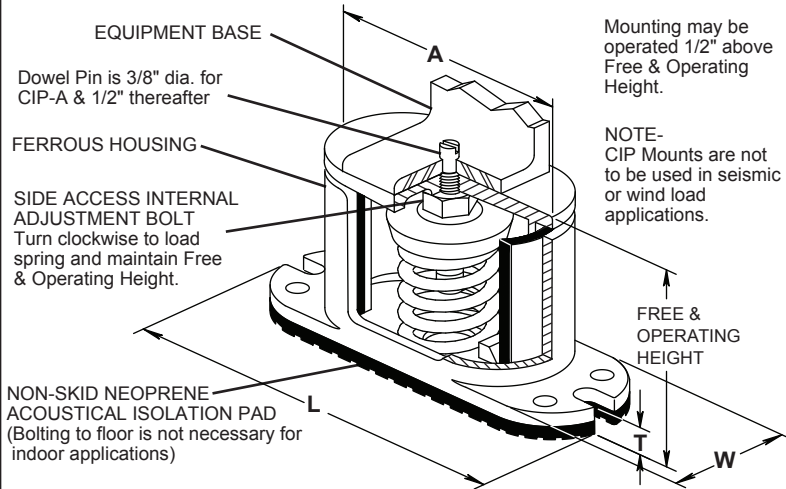
350 Rabro Drive 2101 W. Crescent Ave., Suite D  
 Hauppauge, NY 11788 Anaheim, CA 92801  
 631/348-0282 714/535-2727  
 FAX 631/348-0279 FAX 714/535-5738  
 Info@Mason-Ind.com Info@MasonAnaheim.com  
 www.Mason-Ind.com

JOB NAME \_\_\_\_\_  
 CUSTOMER \_\_\_\_\_  
 CUSTOMER P.O. \_\_\_\_\_  
 MASON M.I. \_\_\_\_\_  
 DWG. NO. \_\_\_\_\_

# CIP

1" Deflection  
 A, B, C, D, & E  
 Series Mounts

Illustration shows single spring CIP-A, CIP-B or CIP-C mount. CIP-D & CIP-E have 2 & 4 springs each respectively.



BASE PLATE DIMENSIONS

### TYPE CIP DIMENSIONS (inches)<sup>†</sup>

| Size  | A      | L      | T    | W     | SW   | HCL    | HCW   | MBD | SBC   | Free & Oper. Height |
|-------|--------|--------|------|-------|------|--------|-------|-----|-------|---------------------|
| CIP-A | 4      | 5 3/4  | 1/2  | 2 1/8 | 5/16 | 4 3/4  | 1     | 1/4 | 5     | 4 7/8               |
| CIP-B | 5 3/4  | 8 1/4  | 1/2  | 2 3/4 | 7/16 | 6 1/2  | 1 1/2 | 3/8 | 7 1/4 | 6 1/8               |
| CIP-C | 6 5/8  | 8 7/8  | 9/16 | 3 1/2 | 7/16 | 7 1/4  | 1 3/4 | 3/8 | 7 7/8 | 6 1/8               |
| CIP-D | 9 3/4  | 12     | 9/16 | 3 1/2 | 7/16 | 10 3/8 | 1 3/4 | 3/8 | 11    | 6 1/2               |
| CIP-E | 12 1/8 | 12 3/4 | 5/8  | 6 5/8 | -    | 11 3/8 | 5 1/8 | 1/2 | -     | 6 1/2               |

<sup>†</sup>Casting Dimensions may vary ±1/8"

### TYPE CIP RATINGS

| Size        | Rated Capacity (lbs) | Rated Defl. (in) | Spring Constant (lbs/in) | Spring Color/Stripe |
|-------------|----------------------|------------------|--------------------------|---------------------|
| CIP-A-45    | 45                   | 1.60             | 28                       | Blue                |
| CIP-A-75    | 75                   | 1.50             | 50                       | Orange              |
| CIP-A-125   | 125                  | 1.33             | 94                       | Brown               |
| CIP-A-200   | 200                  | 1.15             | 174                      | Black               |
| CIP-A-310   | 310                  | 1.00             | 310                      | Yellow              |
| CIP-A-400   | 400                  | 1.00             | 400                      | Green               |
| CIP-A-510   | 510                  | 1.00             | 510                      | Red                 |
| CIP-A-625   | 625                  | 1.00             | 625                      | White               |
| CIP-B-65    | 65                   | 2.10             | 31                       | Brown               |
| CIP-B-85    | 85                   | 2.10             | 40                       | White/Blk           |
| CIP-B-115   | 115                  | 2.00             | 57                       | Silver              |
| CIP-B-150   | 150                  | 2.00             | 75                       | Orange              |
| CIP-B-280   | 280                  | 1.60             | 174                      | Green               |
| CIP-B-450   | 450                  | 1.31             | 344                      | Red                 |
| CIP-B-750   | 750                  | 1.12             | 670                      | White               |
| CIP-B-1000  | 1000                 | 1.00             | 1000                     | Blue                |
| CIP-B-1250  | 1250                 | 1.00             | 1250                     | Green               |
| CIP-B-1650  | 1650                 | 1.00             | 1650                     | Black               |
| CIP-C-1000  | 1000                 | 1.00             | 1000                     | Black               |
| CIP-C-1350  | 1350                 | 1.00             | 1350                     | Yellow              |
| CIP-C-1750  | 1750                 | 1.00             | 1750                     | Black*              |
| CIP-C-2100  | 2100                 | 1.00             | 2100                     | Yellow*             |
| CIP-C-2385  | 2385                 | 1.00             | 2385                     | Yellow**            |
| CIP-C-2650  | 2650                 | 1.00             | 2650                     | Red*                |
| CIP-C-2935  | 2935                 | 1.00             | 2935                     | Red**               |
| CIP-D-3500  | 3500                 | 1.00             | 3500                     | Black*              |
| CIP-D-4200  | 4200                 | 1.00             | 4200                     | Yellow*             |
| CIP-D-4770  | 4770                 | 1.00             | 4770                     | Yellow**            |
| CIP-D-5300  | 5300                 | 1.00             | 5300                     | Red*                |
| CIP-D-5870  | 5870                 | 1.00             | 5870                     | Red**               |
| CIP-E-7000  | 7000                 | 1.00             | 7000                     | Black*              |
| CIP-E-8400  | 8400                 | 1.00             | 8400                     | Yellow*             |
| CIP-E-9540  | 9540                 | 1.00             | 9540                     | Yellow**            |
| CIP-E-10600 | 10600                | 1.00             | 10600                    | Red*                |
| CIP-E-11740 | 11740                | 1.00             | 11740                    | Red**               |

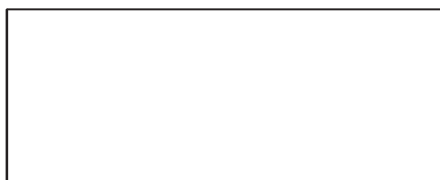
\*with RED core Spring \*\*with GREEN core Spring

### CERTIFICATION DATA

TAG : \_\_\_\_\_

UNIT : \_\_\_\_\_

PLAN VIEW OF MOUNT LOCATION:



### SPECIFIED DEFLECTION

|                |      |
|----------------|------|
| 1 :            | 6 :  |
| 2 :            | 7 :  |
| 3 :            | 8 :  |
| 4 :            | 9 :  |
| 5 :            | 10 : |
| Sets Required: |      |



# MASON INDUSTRIES, Inc.

Manufacturers of Vibration Control Products

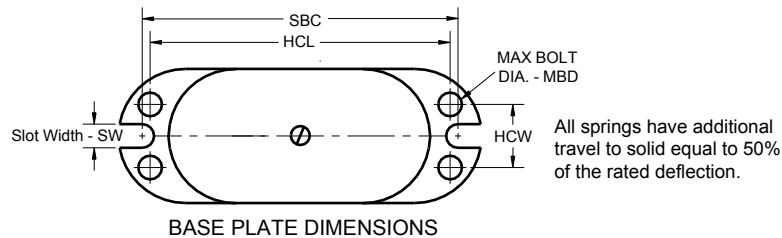
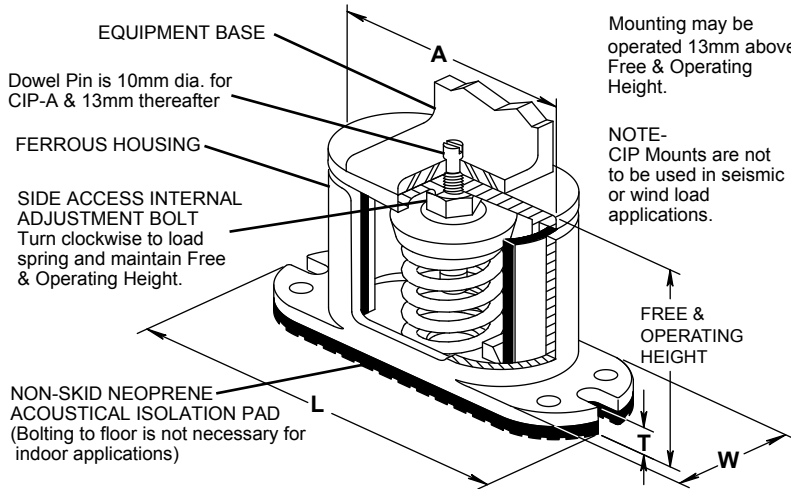
350 Rabro Drive 2101 W. Crescent Ave., Suite D  
 Hauppauge, NY 11788 Anaheim, CA 92801  
 631/348-0282 714/535-2727  
 FAX 631/348-0279 FAX 714/535-5738  
 Info@Mason-Ind.com Info@MasonAnaheim.com  
 www.Mason-Ind.com

JOB NAME \_\_\_\_\_  
 CUSTOMER \_\_\_\_\_  
 CUSTOMER P.O. \_\_\_\_\_  
 MASON M.I. \_\_\_\_\_  
 DWG. NO. \_\_\_\_\_

# CIP

25mm Deflection  
 A, B, C, D, & E  
 Series Mounts

Illustration shows single spring CIP-A, CIP-B or CIP-C mount. CIP-D & CIP-E have 2 & 4 springs each respectively.



### TYPE CIP DIMENSIONS (mm)<sup>†</sup>

| Size | A   | L   | T  | W   | SW | HCL | HCW | MBD | SBC | Free & Oper. Height |
|------|-----|-----|----|-----|----|-----|-----|-----|-----|---------------------|
| C-A  | 102 | 146 | 13 | 54  | 8  | 121 | 25  | 6   | 127 | 121                 |
| C-B  | 146 | 210 | 13 | 70  | 11 | 165 | 38  | 10  | 184 | 156                 |
| C-C  | 168 | 225 | 14 | 89  | 11 | 184 | 44  | 10  | 200 | 156                 |
| C-D  | 248 | 305 | 14 | 89  | 11 | 264 | 44  | 10  | 279 | 165                 |
| C-E  | 308 | 324 | 16 | 168 | -  | 289 | 130 | 13  | -   | 165                 |

<sup>†</sup>Casting Dimensions may vary ± 3mm

### TYPE CIP RATINGS

| Size        | Rated Capacity (kg) | Rated Defl. (mm) | Spring Constant (kg/mm) | Spring Color/Stripe |
|-------------|---------------------|------------------|-------------------------|---------------------|
| CIP-A-45    | 20                  | 41               | 0.50                    | Blue                |
| CIP-A-75    | 34                  | 38               | 0.89                    | Orange              |
| CIP-A-125   | 57                  | 34               | 1.68                    | Brown               |
| CIP-A-200   | 91                  | 29               | 3.11                    | Black               |
| CIP-A-310   | 141                 | 25               | 5.55                    | Yellow              |
| CIP-A-400   | 182                 | 25               | 7.16                    | Green               |
| CIP-A-510   | 232                 | 25               | 9.13                    | Red                 |
| CIP-A-625   | 284                 | 25               | 11.18                   | White               |
| CIP-B-65    | 30                  | 53               | 0.55                    | Brown               |
| CIP-B-85    | 39                  | 53               | 0.72                    | White/Blk           |
| CIP-B-115   | 52                  | 51               | 1.03                    | Silver              |
| CIP-B-150   | 68                  | 51               | 1.34                    | Orange              |
| CIP-B-280   | 127                 | 41               | 3.13                    | Green               |
| CIP-B-450   | 205                 | 33               | 6.15                    | Red                 |
| CIP-B-750   | 341                 | 28               | 11.98                   | White               |
| CIP-B-1000  | 455                 | 25               | 17.90                   | Blue                |
| CIP-B-1250  | 568                 | 25               | 22.37                   | Green               |
| CIP-B-1650  | 750                 | 25               | 29.53                   | Black               |
| CIP-C-1000  | 455                 | 25               | 17.90                   | Black               |
| CIP-C-1350  | 614                 | 25               | 24.16                   | Yellow              |
| CIP-C-1750  | 795                 | 25               | 31.32                   | Black*              |
| CIP-C-2100  | 955                 | 25               | 37.58                   | Yellow*             |
| CIP-C-2385  | 1084                | 25               | 42.68                   | Yellow**            |
| CIP-C-2650  | 1205                | 25               | 47.42                   | Red*                |
| CIP-C-2935  | 1334                | 25               | 52.52                   | Red**               |
| CIP-D-3500  | 1591                | 25               | 62.63                   | Black*              |
| CIP-D-4200  | 1909                | 25               | 75.16                   | Yellow*             |
| CIP-D-4770  | 2164                | 25               | 86.68                   | Yellow**            |
| CIP-D-5300  | 2409                | 25               | 96.36                   | Red*                |
| CIP-D-5870  | 2668                | 25               | 106.72                  | Red**               |
| CIP-E-7000  | 3182                | 25               | 127.28                  | Black*              |
| CIP-E-8400  | 3818                | 25               | 152.72                  | Yellow*             |
| CIP-E-9540  | 4336                | 25               | 173.44                  | Yellow**            |
| CIP-E-10600 | 4818                | 25               | 192.72                  | Red*                |
| CIP-E-11740 | 5336                | 25               | 213.44                  | Red**               |

\*with RED core Spring \*\*with GREEN core Spring

### CERTIFICATION DATA

TAG : \_\_\_\_\_  
 UNIT : \_\_\_\_\_  
 PLAN VIEW OF MOUNT LOCATION:



### SPECIFIED DEFLECTION

|                |      |
|----------------|------|
| 1 :            | 6 :  |
| 2 :            | 7 :  |
| 3 :            | 8 :  |
| 4 :            | 9 :  |
| 5 :            | 10 : |
| Sets Required: |      |



# MASON INDUSTRIES, Inc.

Manufacturers of Vibration Control Products

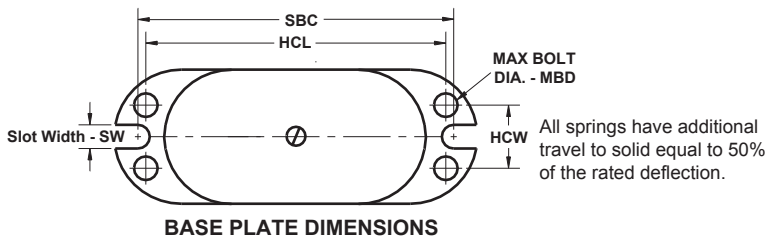
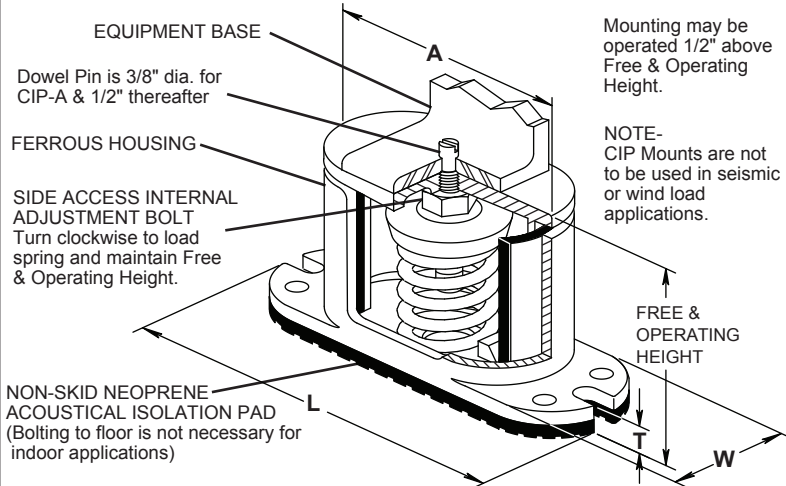
350 Rabro Drive 2101 W. Crescent Ave., Suite D  
 Hauppauge, NY 11788 Anaheim, CA 92801  
 631/348-0282 714/535-2727  
 FAX 631/348-0279 FAX 714/535-5738  
 Info@Mason-Ind.com Info@MasonAnaheim.com  
 www.Mason-Ind.com

JOB NAME \_\_\_\_\_  
 CUSTOMER \_\_\_\_\_  
 CUSTOMER P.O. \_\_\_\_\_  
 MASON M.I. \_\_\_\_\_  
 DWG. NO. \_\_\_\_\_

# CIP

2" Deflection  
 B, B2, C2, D-C2 &  
 E-C2 Series  
 Mounts

Illustration shows single spring CIP-B, CIP-B2 or CIP-C2 mount. CIP-D-C2 & CIP-E-C2 have 2 & 4 springs each respectively.



CIP-B2-450, B2-680, C2-880 thru C2-1870, D-C2 & E-C2 mounts have minimum 25% of rated deflection additional travel to solid. The last two columns below show ratings at 50% additional travel.

### TYPE CIP RATINGS

| Size          | Standard Ratings     |                  |                          |                     | Ratings at 50% additional travel to solid |            |
|---------------|----------------------|------------------|--------------------------|---------------------|---|------------|
|               | Rated Capacity (lbs) | Rated Defl. (in) | Spring Constant (lbs/in) | Spring Color/Stripe | Capacity (lb)                             | Defl. (in) |
| CIP-B-20      | 20                   | 2.40             | 8                        | Tan                 | 20  | 2.40       |
| CIP-B-26      | 26                   | 2.18             | 12                       | White/Blue          | 26  | 2.18       |
| CIP-B-35      | 35                   | 2.20             | 16                       | Purple              | 35  | 2.20       |
| CIP-B-50      | 50                   | 2.20             | 24                       | White/Red           | 50  | 2.20       |
| CIP-B-65      | 65                   | 2.10             | 31                       | Brown               | 65  | 2.10       |
| CIP-B-85      | 85                   | 2.10             | 40                       | White/Black         | 85  | 2.10       |
| CIP-B-115     | 115                  | 2.00             | 57                       | Silver              | 115                                       | 2.00       |
| CIP-B-150     | 150                  | 2.00             | 75                       | Orange              | 150                                       | 2.00       |
| CIP-B2-210    | 210                  | 2.12             | 99                       | Silver              | 210                                       | 2.12       |
| CIP-B2-290    | 290                  | 2.00             | 144                      | Blue                | 290                                       | 2.00       |
| CIP-B2-450    | 450                  | 2.00             | 224                      | Tan                 | 450                                       | 1.83       |
| CIP-B2-680    | 680                  | 2.00             | 340                      | Gray                | 680                                       | 1.66       |
| CIP-C2-125    | 125                  | 2.50             | 50                       | Purple              | 125                                       | 2.50       |
| CIP-C2-170    | 170                  | 2.40             | 70                       | Brown               | 170                                       | 2.40       |
| CIP-C2-210    | 210                  | 2.30             | 90                       | Red                 | 210                                       | 2.30       |
| CIP-C2-260    | 260                  | 2.20             | 120                      | White               | 260                                       | 2.20       |
| CIP-C2-330    | 330                  | 2.00             | 165                      | Black               | 330                                       | 2.00       |
| CIP-C2-460    | 460                  | 2.00             | 230                      | Blue                | 460                                       | 2.00       |
| CIP-C2-610    | 610                  | 2.00             | 305                      | Green               | 610                                       | 2.00       |
| CIP-C2-880    | 880                  | 2.00             | 440                      | Gray                | 880                                       | 1.82       |
| CIP-C2-1210   | 1210                 | 2.00             | 605                      | Silver              | 1210                                      | 1.67       |
| CIP-C2-2100   | 1540                 | 2.00             | 770                      | Gray*               | 1540                                      | 1.67       |
| CIP-C2-2385   | 1870                 | 2.00             | 935                      | Silver*             | 1870                                      | 1.67       |
| CIP-D-C2-2420 | 2420                 | 2.00             | 1210                     | Silver              | 2420                                      | 1.67       |
| CIP-D-C2-3080 | 3080                 | 2.00             | 1540                     | Gray*               | 3080                                      | 1.67       |
| CIP-D-C2-3740 | 3740                 | 2.00             | 1870                     | Silver*             | 3740                                      | 1.67       |
| CIP-E-C2-3520 | 3520                 | 2.00             | 1260                     | Gray                | 3520                                      | 1.82       |
| CIP-E-C2-4840 | 4840                 | 2.00             | 2420                     | Silver              | 4840                                      | 1.67       |
| CIP-E-C2-6160 | 6160                 | 2.00             | 3080                     | Gray*               | 6160                                      | 1.67       |
| CIP-E-C2-7480 | 7480                 | 2.00             | 3740                     | Silver*             | 7480                                      | 1.67       |

\*with RED core spring

### TYPE CIP DIMENSIONS (inches)<sup>†</sup>

| Size       | A      | L      | T    | W     | SW   | HCL    | HCW   | MBD | SBC   | Free Ht. | Min Ht. |
|------------|--------|--------|------|-------|------|--------|-------|-----|-------|----------|---------|
| CIP-B & B2 | 5 3/4  | 8 1/4  | 1/2  | 2 3/4 | 7/16 | 6 1/2  | 1 1/2 | 3/8 | 7 1/4 | 6 1/8    | 5 1/4   |
| CIP-C2     | 6 5/8  | 8 7/8  | 9/16 | 3 1/2 | 7/16 | 7 1/4  | 1 3/4 | 3/8 | 7 7/8 | 6 3/4    | 6 3/4   |
| CIP-D-C2   | 9 3/4  | 12     | 9/16 | 3 1/2 | 7/16 | 10 3/8 | 1 3/4 | 3/8 | 11    | 7 1/2    | 6       |
| CIP-E-C2   | 12 1/8 | 12 3/4 | 5/8  | 6 5/8 | -    | 11 3/8 | 5 1/8 | 1/2 | -     | 7 1/2    | 6 3/4   |

<sup>†</sup>Casting dimensions may vary ±1/8"

### PLAN VIEW OF MOUNT LOCATIONS

TAG : \_\_\_\_\_  
 UNIT : \_\_\_\_\_



### SPECIFIED DEFLECTION

|                |      |
|----------------|------|
| 1 :            | 6 :  |
| 2 :            | 7 :  |
| 3 :            | 8 :  |
| 4 :            | 9 :  |
| 5 :            | 10 : |
| Sets Required: |      |



# MASON INDUSTRIES, Inc.

Manufacturers of Vibration Control Products

350 Rabro Drive  
Hauppauge, NY 11788  
631/348-0282  
FAX 631/348-0279  
Info@Mason-Ind.com

2101 W. Crescent Ave., Suite D  
Anaheim, CA 92801  
714/535-2727  
FAX 714/535-5738  
Info@MasonAnaheim.com

JOB NAME \_\_\_\_\_

CUSTOMER \_\_\_\_\_

CUSTOMER P.O. \_\_\_\_\_

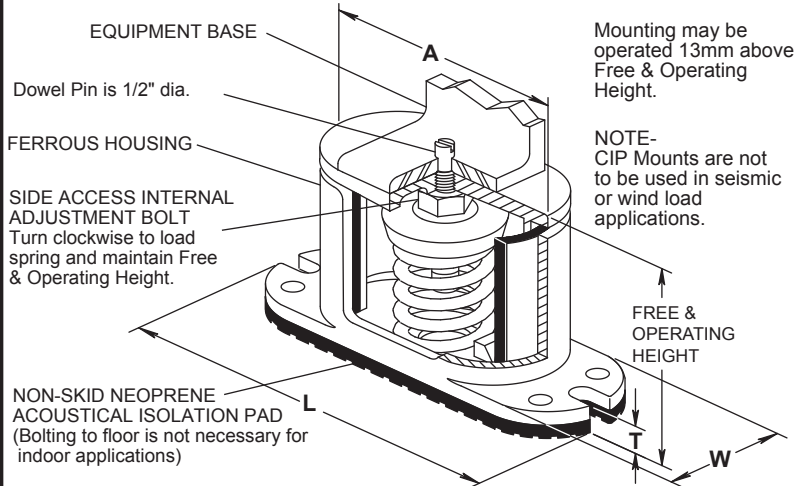
MASON M.I. \_\_\_\_\_

DWG. NO. \_\_\_\_\_

# CIP

50mm Deflection  
B, B2, C2, D-C2 &  
E-C2 Series  
Mounts

Illustration shows single spring CIP-B, CIP-B2 or CIP-C2 mount. CIP-D-C2 & CIP-E-C2 have 2 & 4 springs each respectively.

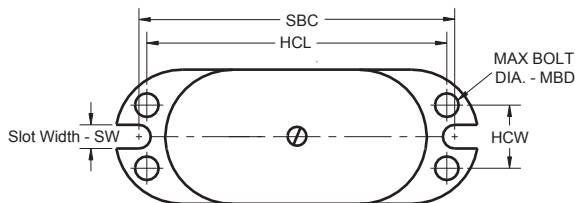


Mounting may be operated 13mm above Free & Operating Height.

NOTE- CIP Mounts are not to be used in seismic or wind load applications.

FREE & OPERATING HEIGHT

NON-SKID NEOPRENE ACOUSTICAL ISOLATION PAD (Bolting to floor is not necessary for indoor applications)



BASE PLATE DIMENSIONS

All springs have additional travel to solid equal to 50% of the rated deflection.

### TYPE CIP DIMENSIONS (mm)†

| Size       | A   | L   | T  | W   | SW | HCL | HCW | MBD | SBC | Free Ht. | Min Ht. |
|------------|-----|-----|----|-----|----|-----|-----|-----|-----|----------|---------|
| CIP-B & B2 | 146 | 209 | 13 | 70  | 11 | 165 | 38  | 9   | 184 | 155      | 133     |
| CIP-C2     | 168 | 225 | 14 | 89  | 11 | 184 | 44  | 9   | 200 | 171      | 171     |
| CIP-D-C2   | 248 | 305 | 14 | 89  | 11 | 263 | 44  | 9   | 279 | 190      | 152     |
| CIP-E-C2   | 308 | 324 | 16 | 168 | -  | 289 | 130 | 13  | -   | 190      | 171     |

†Casting dimensions may vary ±3mm

CIP-B2-450, B2-680, C2-880 thru C2-1870, D-C2 & E-C2 mounts have minimum 25% of rated deflection additional travel to solid. The last two columns below show ratings at 50% additional travel.

### TYPE CIP RATINGS

| Size          | Standard Ratings    |                  |                         |                     | Ratings at 50% additional travel to solid |            |
|---------------|---------------------|------------------|-------------------------|---------------------|---|------------|
|               | Rated Capacity (Kg) | Rated Defl. (mm) | Spring Constant (Kg/mm) | Spring Color/Stripe | Capacity (Kg)                             | Defl. (mm) |
| CIP-B-20      | 9                   | 61               | 0.15                    | Tan                 | 9   | 61         |
| CIP-B-26      | 12                  | 55               | 0.22                    | White/Blue          | 12  | 55         |
| CIP-B-35      | 16                  | 56               | 0.28                    | Purple              | 16  | 56         |
| CIP-B-50      | 23                  | 56               | 0.41                    | White/Red           | 23  | 56         |
| CIP-B-65      | 29                  | 53               | 0.55                    | Brown               | 29  | 53         |
| CIP-B-85      | 39                  | 53               | 0.73                    | White/Black         | 39  | 53         |
| CIP-B-115     | 52                  | 51               | 1.02                    | Silver              | 52  | 51         |
| CIP-B-150     | 68                  | 51               | 1.33                    | Orange              | 68  | 51         |
| CIP-B2-210    | 95                  | 54               | 1.75                    | Silver              | 95  | 54         |
| CIP-B2-290    | 132                 | 51               | 2.59                    | Blue                | 132                                       | 51         |
| CIP-B2-450    | 204                 | 51               | 4.00                    | Tan                 | 204                                       | 46         |
| CIP-B2-680    | 309                 | 51               | 6.06                    | Gray                | 309                                       | 42         |
| CIP-C2-125    | 57                  | 63               | 0.90                    | Purple              | 57  | 63         |
| CIP-C2-170    | 77                  | 61               | 1.26                    | Brown               | 77  | 61         |
| CIP-C2-210    | 95                  | 58               | 1.64                    | Red                 | 95  | 58         |
| CIP-C2-260    | 118                 | 56               | 2.11                    | White               | 118                                       | 56         |
| CIP-C2-330    | 150                 | 51               | 2.94                    | Black               | 150                                       | 51         |
| CIP-C2-460    | 209                 | 51               | 4.10                    | Blue                | 209                                       | 51         |
| CIP-C2-610    | 277                 | 51               | 5.43                    | Green               | 277                                       | 51         |
| CIP-C2-880    | 400                 | 51               | 7.84                    | Gray                | 400                                       | 46         |
| CIP-C2-1210   | 550                 | 51               | 10.78                   | Silver              | 550                                       | 42         |
| CIP-C2-2100   | 700                 | 51               | 13.72                   | Gray*               | 700                                       | 42         |
| CIP-C2-2385   | 850                 | 51               | 16.67                   | Silver*             | 850                                       | 42         |
| CIP-D-C2-2420 | 1100                | 51               | 21.57                   | Silver              | 1100                                      | 42         |
| CIP-D-C2-3080 | 1400                | 51               | 27.95                   | Gray*               | 1400                                      | 42         |
| CIP-D-C2-3740 | 1700                | 51               | 33.33                   | Silver*             | 1700                                      | 42         |
| CIP-E-C2-3520 | 1600                | 51               | 31.37                   | Gray                | 1600                                      | 46         |
| CIP-E-C2-4840 | 2200                | 51               | 43.14                   | Silver              | 2200                                      | 42         |
| CIP-E-C2-6160 | 2800                | 51               | 54.90                   | Gray*               | 2800                                      | 42         |
| CIP-E-C2-7480 | 3400                | 51               | 66.67                   | Silver*             | 3400a                                     | 42         |

\*with RED core spring

### PLAN VIEW OF MOUNT LOCATIONS

TAG : \_\_\_\_\_

UNIT : \_\_\_\_\_



### SPECIFIED DEFLECTION

|                |      |
|----------------|------|
| 1 :            | 6 :  |
| 2 :            | 7 :  |
| 3 :            | 8 :  |
| 4 :            | 9 :  |
| 5 :            | 10 : |
| Sets Required: |      |