



# MASON INDUSTRIES, Inc.

Manufacturers of Vibration Control Products

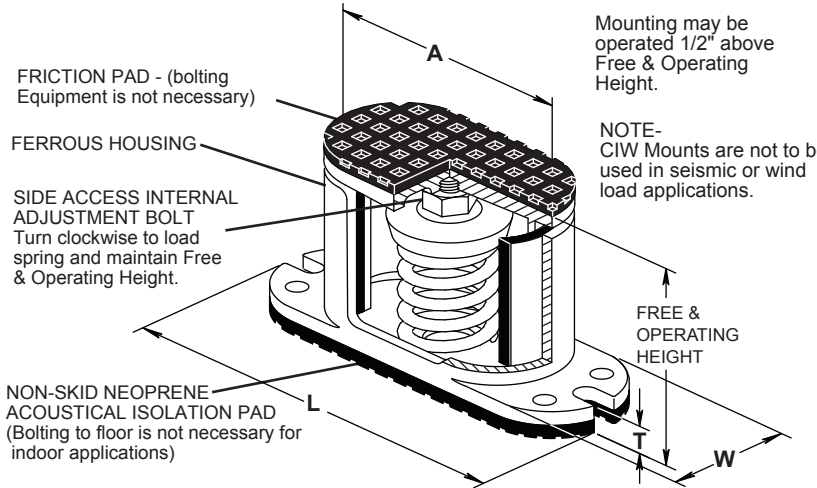
350 Rabro Drive 2101 W. Crescent Ave., Suite D  
 Hauppauge, NY 11788 Anaheim, CA 92801  
 631/348-0282 714/535-2727  
 FAX 631/348-0279 FAX 714/535-5738  
 Info@Mason-Ind.com Info@MasonAnaheim.com  
 www.Mason-Ind.com

JOB NAME \_\_\_\_\_  
 CUSTOMER \_\_\_\_\_  
 CUSTOMER P.O. \_\_\_\_\_  
 MASON M.I. \_\_\_\_\_  
 DWG. NO. \_\_\_\_\_

# CIW

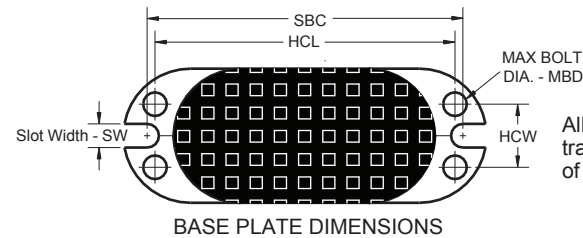
1" Deflection  
 A, B, C, D, & E  
 Series Mounts

Illustration shows single spring CIW-A, CIW-B or CIW-C mount. CIW-D & CIW-E have 2 & 4 springs each respectively.



Mounting may be operated 1/2" above Free & Operating Height.

NOTE- CIW Mounts are not to be used in seismic or wind load applications.



All springs have additional travel to solid equal to 50% of the rated deflection.

### TYPE CIW RATINGS

Size	Rated Capacity (lbs)	Rated Defl. (in)	Spring Constant (lbs/in)	Spring Color/Stripe
CIW-A-45	45	1.60	28	Blue
CIW-A-75	75	1.50	50	Orange
CIW-A-125	125	1.33	94	Brown
CIW-A-200	200	1.15	174	Black
CIW-A-310	310	1.00	310	Yellow
CIW-A-400	400	1.00	400	Green
CIW-A-510	510	1.00	510	Red
CIW-A-625	625	1.00	625	White
CIW-B-65	65	2.10	31	Brown
CIW-B-85	85	2.10	40	White/Black
CIW-B-115	115	2.00	57	Silver
CIW-B-150	150	2.00	75	Orange
CIW-B-280	280	1.60	174	Green
CIW-B-450	450	1.31	344	Red
CIW-B-750	750	1.12	670	White
CIW-B-1000	1000	1.00	1000	Blue
CIW-B-1250	1250	1.00	1250	Gray
CIW-B-1650	1650	1.00	1650	Black
CIW-C-1000	1000	1.00	1000	Black
CIW-C-1350	1350	1.00	1350	Yellow
CIW-C-1750	1750	1.00	1750	Black*
CIW-C-2100	2100	1.00	2100	Yellow**
CIW-C-2385	2385	1.00	2385	Yellow**
CIW-C-2650	2650	1.00	2650	Red*
CIW-C-2935	2935	1.00	2935	Red**
CIW-D-3500	3500	1.00	3500	Black*
CIW-D-4200	4200	1.00	4200	Yellow*
CIW-D-4770	4770	1.00	4770	Yellow**
CIW-D-5300	5300	1.00	5300	Red*
CIW-D-5870	5870	1.00	5870	Red**
CIW-E-7000	7000	1.00	7000	Black*
CIW-E-8400	8400	1.00	8400	Yellow*
CIW-E-9540	9540	1.00	9540	Yellow**
CIW-E-10600	10600	1.00	10600	Red*
CIW-E-11740	11740	1.00	11740	Red**

### TYPE CIW DIMENSIONS (inches) Casting Dimensions may vary ±1/8"

Size	A	L	T	W	SW	HCL	HCW	MBD	SBC	Free & Oper. Height
CIW-A	4	5 3/4	1/2	2 1/8	5/16	4 3/4	1	1/4	5	5 1/8
CIW-B	5 3/4	8 1/4	1/2	2 3/4	7/16	6 1/2	1 1/2	3/8	7 1/4	6 3/8
CIW-C	6 5/8	8 7/8	9/16	3 1/2	7/16	7 1/4	1 3/4	3/8	7 7/8	6 3/8
CIW-D	9 3/4	12	9/16	3 1/2	7/16	10 3/8	1 3/4	3/8	11	6 3/4
CIW-E	12 1/8	12 3/4	5/8	6 5/8	-	11 3/8	5 1/8	1/2	-	6 3/4

\*with RED core Spring \*\*with GREEN core Spring

### PLAN VIEW OF MOUNT LOCATIONS

TAG : \_\_\_\_\_  
 UNIT : \_\_\_\_\_



### SPECIFIED DEFLECTION

1 :	6 :
2 :	7 :
3 :	8 :
4 :	9 :
5 :	10 :
Sets Required:	



# MASON INDUSTRIES, Inc.

Manufacturers of Vibration Control Products

350 Rabro Drive 2101 W. Crescent Ave., Suite D  
 Hauppauge, NY 11788 Anaheim, CA 92801  
 631/348-0282 714/535-2727  
 FAX 631/348-0279 FAX 714/535-5738  
 Info@Mason-Ind.com Info@MasonAnaheim.com  
 www.Mason-Ind.com

JOB NAME \_\_\_\_\_

CUSTOMER \_\_\_\_\_

CUSTOMER P.O. \_\_\_\_\_

MASON M.I. \_\_\_\_\_

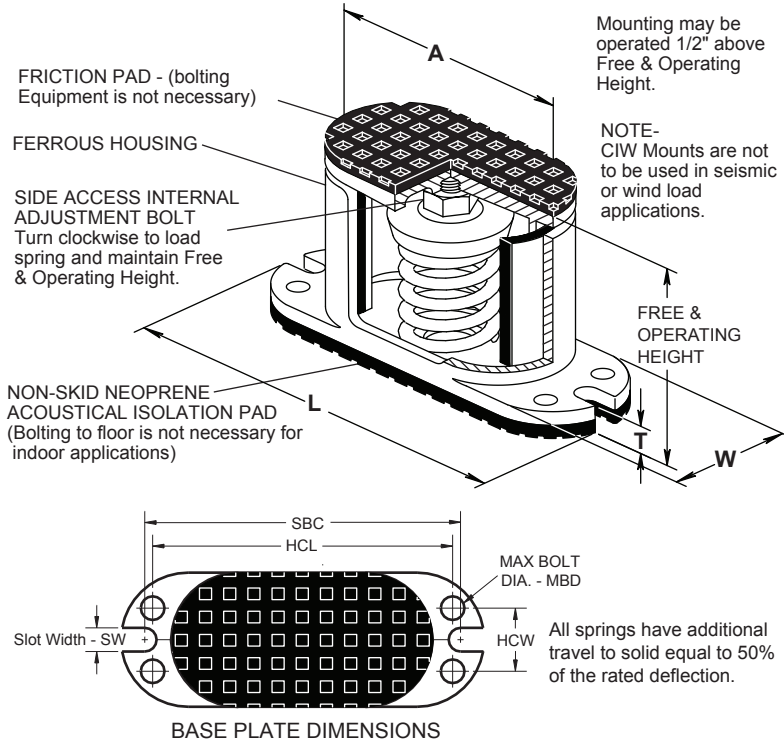
DWG. NO. \_\_\_\_\_

# CIW

2" Deflection  
 B, B2, C2, D-C2 &  
 E-C2 Series Mounts

Illustration shows single spring CIW-B, CIW-B2 or CIW-C2 mount. CIW-D-C2 & CIW-E-C2 have 2 & 4 springs each respectively.

CIW-B2-450, B2-680, C2-880 thru C2-1870, D-C2 & E-C2 mounts have minimum 25% of rated deflection additional travel to solid. The last two columns below show ratings at 50% additional travel.



### TYPE CIW RATINGS

Size	Standard Ratings				Ratings at 50% additional travel to solid	
	Rated Capacity (lbs)	Rated Defl. (in)	Spring Constant (lbs/in)	Spring Color/Stripe	Capacity (lb)	Defl. (in)
CIW-B-20	20	2.40	8	Tan	20	2.40
CIW-B-26	26	2.18	12	White/Blue	26	2.18
CIW-B-35	35	2.20	16	Purple	35	2.20
CIW-B-50	50	2.20	24	White/Red	50	2.20
CIW-B-65	65	2.10	31	Brown	65	2.10
CIW-B-85	85	2.10	40	White/Black	85	2.10
CIW-B-115	115	2.00	57	Silver	115	2.00
CIW-B-150	150	2.00	75	Orange	150	2.00
CIW-B2-210	210	2.12	99	Silver	210	2.12
CIW-B2-290	290	2.00	144	Blue	290	2.00
CIW-B2-450	450	2.00	224	Tan	450	1.83
CIW-B2-680	680	2.00	340	Gray	680	1.66
CIW-C2-125	125	2.50	50	Purple	125	2.50
CIW-C2-170	170	2.40	70	Brown	170	2.40
CIW-C2-210	210	2.30	90	Red	210	2.30
CIW-C2-260	260	2.20	120	White	260	2.20
CIW-C2-330	330	2.00	165	Black	330	2.00
CIW-C2-460	460	2.00	230	Blue	460	2.00
CIW-C2-610	610	2.00	305	Green	610	2.00
CIW-C2-880	880	2.00	440	Gray	880	1.82
CIW-C2-1210	1210	2.00	605	Silver	1210	1.67
CIW-C2-2100	1540	2.00	770	Gray*	1540	1.67
CIW-C2-2385	1870	2.00	935	Silver*	1870	1.67
CIW-D-C2-2420	2420	2.00	1210	Silver	2420	1.67
CIW-D-C2-3080	3080	2.00	1540	Gray*	3080	1.67
CIW-D-C2-3740	3740	2.00	1870	Silver*	3740	1.67
CIW-E-C2-3520	3520	2.00	1260	Gray	3520	1.82
CIW-E-C2-4840	4840	2.00	2420	Silver	4840	1.67
CIW-E-C2-6160	6160	2.00	3080	Gray*	6160	1.67
CIW-E-C2-7480	7480	2.00	3740	Silver*	7480	1.67

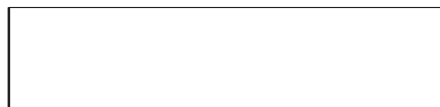
### TYPE CIW DIMENSIONS (inches)†

Size	A	L	T	W	SW	HCL	HCW	MBD	SBC	Free Ht.	Min Ht.
CIW-B & B2	5 3/4	8 1/4	1/2	2 3/4	7/16	6 1/2	1 1/2	3/8	7 1/4	6 1/8	5 1/4
CIW-C2	6 5/8	8 7/8	9/16	3 1/2	7/16	7 1/4	1 3/4	3/8	7 7/8	6 3/4	6 3/4
CIW-D-C2	9 3/4	12	9/16	3 1/2	7/16	10 3/8	1 3/4	3/8	11	7 1/2	6
CIW-E-C2	12 1/8	12 3/4	5/8	6 5/8	-	11 3/8	5 1/8	1/2	-	7 1/2	6 3/4

†Casting dimensions may vary ±1/8"

### PLAN VIEW OF MOUNT LOCATIONS

TAG : \_\_\_\_\_  
 UNIT : \_\_\_\_\_



### SPECIFIED DEFLECTION

1 :	6 :
2 :	7 :
3 :	8 :
4 :	9 :
5 :	10 :
Sets Required:	