



MASON INDUSTRIES, Inc.

Manufacturers of Vibration Control Products

350 Rabro Drive Hauppauge, NY 11788
 631/348-0282 FAX 631/348-0279 Info@Mason-Ind.com
 2101 W. Crescent Ave., Suite D Anaheim, CA 92801
 714/535-2727 FAX 714/535-5738 Info@MasonAnaheim.com

JOB NAME _____
 CUSTOMER _____
 CUSTOMER P.O. _____
 MASON M.I. _____
 DWG. NO. _____

SLR

2" (51mm) Deflection
 C2 SERIES
 SPRING MOUNTS

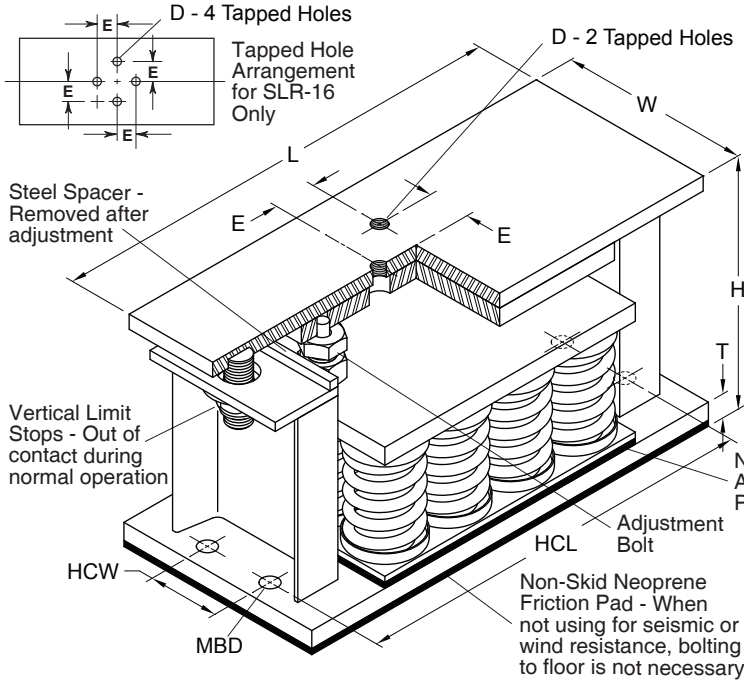


Illustration shows a SLR-12-C2 which contains 12 C2 springs. SLR-9 & -16 have 9 and 16 C2 spring respectively.

SPRING DATA

Size	Spring OD in mm	Free Ht. in mm	Ratio Kx/Ky	Ratio OD/OH
C2	2 7/8 73	5 127	0.63-0.85	0.96-1.15

TYPE SLR DIMENSIONS (inches mm)

Size	D	E	H	L	T	W	HCL	HCW	MBD								
SLR-9-C2	3/4	1 3/4	44	9 3/4	248	16 1/2	419	5/8	16	9 3/4	248	14	356	3	76	5/8	16
SLR-12-C2	3/4	1 3/4	44	9 3/4	248	19 1/2	495	3/4	19	9 3/4	248	17	432	3	76	5/8	16
SLR-16-C2	3/4	1 3/4	44	9 3/4	248	23 1/2	597	3/4	19	13	330	21 1/2	546	11	279	3/4	19

TYPE SLR RATINGS

Size	Rated Capacity		Rated Defl		Mount Constant		Spring Color
	lbs	kg	in	mm	lbs/in	kg/mm	
SLR-9-C2-10890	10890	4940	2.00	51	5445	96.9	Silver
SLR-9-C2-13860	13860	6287	2.00	51	6930	123.3	Gray*
SLR-9-C2-16830	16830	7634	2.00	51	8415	149.7	Silver*
SLR-12-C2-14520	14520	6586	2.00	51	7260	129.1	Silver
SLR-12-C2-18480	18480	8383	2.00	51	9240	164.4	Gray*
SLR-12-C2-22440	22440	10179	2.00	51	11220	199.6	Silver*
SLR-16-C2-19360	19360	8782	2.00	51	9680	172.2	Silver
SLR-16-C2-24640	24640	11177	2.00	51	12320	219.1	Gray*
SLR-16-C2-29920	29920	13572	2.00	51	14960	266.1	Silver*

Mounts are painted blue. *with Red inner spring.

Published ratings allow minimum 25% additional travel to solid. For a full 50% specified minimum use the following ratings:

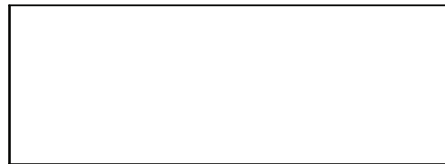
Size	Derated Capacity		Defl	
	lbs	kg	in	mm
SLR-9-10890	9090	4122	1.67	42
SLR-9-13860	11580	5253	1.67	42
SLR-9-16830	14055	6375	1.67	42
SLR-12-14520	12120	5498	1.67	42
SLR-12-18480	15430	6998	1.67	42
SLR-12-22440	18740	8500	1.67	42
SLR-16-19360	16160	7332	1.67	42
SLR-16-24640	20580	9336	1.67	42
SLR-16-29920	24980	11332	1.67	42

CERTIFICATION DATA

TAG : _____

UNIT : _____

PLAN VIEW OF MOUNT LOCATION :



SPECIFIED DEFLECTION

1 :	6 :
2 :	7 :
3 :	8 :
4 :	9 :
5 :	10 :
Sets Required:	

S-159

DWN:

CHKD:

DATE:

DWG. No.



MASON INDUSTRIES, Inc.

Manufacturers of Vibration Control Products

350 Rabro Drive Hauppauge, NY 11788
 631/348-0282 FAX 631/348-0279

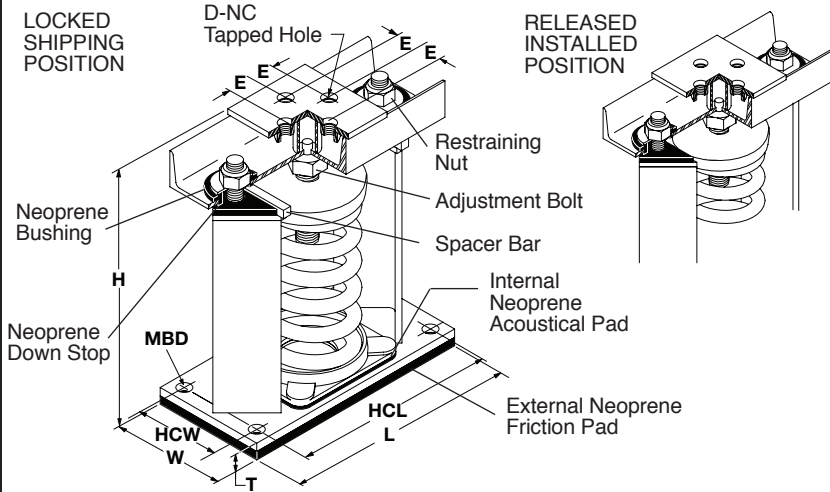
2101 W. Crescent Ave., Suite D Anaheim, CA 92801
 714/535-2727 FAX 714/535-5738

Info@Mason-Ind.com • www.Mason-Ind.com

JOB NAME _____
 CUSTOMER _____
 CUSTOMER P.O. _____
 MASON M. _____
 DWG No. _____

SLR

2" 51mm Deflection
 100 Series
 Spring Mountings



TYPE SLR RATINGS

Size	Rated Capacity (lbs) (kg)		Rated Deflection (in) (mm)		Spring Constant (lbs/in) (kg/mm)		Max. G Rating
101	125	57	2.50	64	50	0.89	5.6
102	200	91	2.50	64	80	1.42	3.5
103	310	141	2.50	64	125	2.20	2.3
104	500	227	2.50	64	200	3.55	1.4
105	740	336	2.40	61	310	5.51	0.9
106	1050	476	2.10	53	500	8.98	0.7
107	1400	635	2.00	51	700	12.45	0.5
108	1660	753	2.05	52	810	14.48	1.0
109	2250	1021	2.00	51	1125	20.02	0.7
110	3000	1361	2.00	51	1500	26.69	1.3
111	4000	1814	2.00	51	2000	35.57	1.0
112	5300	2404	2.00	51	2665	47.14	0.6
113	7100	3221	2.00	51	3550	63.16	0.5
114	9300	4218	2.00	51	4650	82.71	0.5
115	12600	5715	2.00	51	6300	112.06	0.4
116	16800	7620	2.00	51	8400	149.41	0.4
117	28500	12927	2.55	65	11175	198.88	0.4
118	40000	18144	2.10	53	19000	342.34	0.4

All springs have additional travel to solid equal to 50% of the Rated Deflection.
 Solid Spring Height = Free Height minus 1.5 times Rated Deflection.
 OD/OH = Ratio of Spring Outside Diameter to Operating Height = 0.82-1.15

TYPE SLR DIMENSIONS

Size	L (in) (mm)	W (in) (mm)	H (in) (mm)	T (in) (mm)	MBD (in) (mm)	HCW (in) (mm)	HCL (in) (mm)	D (in) (mm)	E (in) (mm)	OD (in) (mm)	HT (in) (mm)	Color/Strip											
101	9	229	4 1/2	114	10 1/4	260	1/2	13	1/2	13	3 1/4	83	7 3/4	197	1/2	13	1 1/8	29	3 3/4	95	5 3/4	146	Purple
102	9	229	4 1/2	114	10 1/4	260	1/2	13	1/2	13	3 1/4	83	7 3/4	197	1/2	13	1 1/8	29	3 3/4	95	5 3/4	146	Brown
103	9	229	4 1/2	114	10 1/4	260	1/2	13	1/2	13	3 1/4	83	7 3/4	197	1/2	13	1 1/8	29	3 3/4	95	5 3/4	146	Pink
104	9	229	4 1/2	114	10 1/4	260	1/2	13	1/2	13	3 1/4	83	7 3/4	197	1/2	13	1 1/8	29	3 3/4	95	5 3/4	146	Green
105	9	229	4 1/2	114	10 1/4	260	1/2	13	1/2	13	3 1/4	83	7 3/4	197	1/2	13	1 1/8	29	3 3/4	95	5 3/4	146	Red
106	9	229	4 1/2	114	10 1/4	260	1/2	13	1/2	13	3 1/4	83	7 3/4	197	1/2	13	1 1/8	29	3 3/4	95	5 7/8	149	White
107	9	229	4 1/2	114	10 1/4	260	1/2	13	1/2	13	3 1/4	83	7 3/4	197	1/2	13	1 1/8	29	3 3/4	95	5 7/8	149	Blue
108	9 3/4	248	5	127	11 1/2	292	1/2	13	1/2	13	3 3/4	95	8 1/4	210	5/8	16	1 1/8	29	4 1/2	114	6 3/4	171	Silver
109	9 3/4	248	5	127	11 1/2	292	1/2	13	1/2	13	3 3/4	95	8 1/4	210	5/8	16	1 1/8	29	4 1/2	114	7 1/2	191	Orange
110	11 1/2	292	5 1/2	140	12	305	5/8	16	1/2	13	3 1/2	89	10	254	5/8	16	1 1/8	29	5	127	7 1/2	191	Gray
111	11 1/2	292	5 1/2	140	12	305	5/8	16	1/2	13	3 1/2	89	10	254	5/8	16	1 1/8	29	5	127	7 1/2	191	Tan
112	11 1/2	292	7	178	13 7/8	352	5/8	16	5/8	16	4 1/2	114	9 1/2	241	5/8	16	1 1/4	32	5 1/2	140	8 1/2	216	Black
113	11 1/2	292	7	178	13 7/8	352	5/8	16	5/8	16	4 1/2	114	9 1/2	241	5/8	16	1 1/4	32	6	152	8 3/4	222	Yellow
114	14	356	8	203	15	381	5/8	16	5/8	16	4 1/2	114	11 3/4	298	3/4	19	1 3/8	35	6 3/4	171	10	254	Blue/Org
115	14	356	8	203	15	381	5/8	16	5/8	16	4 1/2	114	11 3/4	298	3/4	19	1 3/8	35	6 3/4	171	10	254	Blue/Red
116	16 1/2	419	9	229	16 3/4	425	3/4	19	7/8	22	5 1/2	140	14 1/2	368	7/8	22	1 1/2	38	7 3/4	197	10 1/8	257	Blue/Wh
117	19 1/2	495	10	254	20	508	1	25	1	25	7	178	17	432	1	25	1 3/4	44	8 3/4	222	13 1/8	333	Blue/Silv
118	19 1/2	495	10	254	20	508	1	25	1	25	7	178	17	432	1	25	1 3/4	44	9 3/8	238	13 1/8	333	Blue/Gray

PLAN VIEW OF MOUNT LOCATIONS

TAG: _____
 UNIT: _____



SPECIFIED DEFLECTION

1:	6:
2:	7:
3:	8:
4:	9:
5:	10:
Sets Required:	

INSTALLATION INSTRUCTIONS:

- Supports for mountings must be level to installations' acceptable tolerances.
- Mountings not subjected to seismic or wind forces do not require bolting to supports.
- Mountings subjected to seismic or wind forces must be bolted or welded in position.
- If mountings are welded in position remove lower friction pad before welding.
- Set mountings in the Locked Position.
- Place equipment on mountings and secure by using a minimum of two bolts or by welding.
- Release restraining nuts and leave 1/8 inch clearance. If two nuts are furnished, lock them together at 1/8 inch clearance.
- Take 12 complete counter-clockwise turns on each adjustment bolt.
- Take one additional complete turn on each adjustment bolt in sequence until you can remove the spacer bar on the first mount.
- Take no additional turns on that mount but continue with equal turns on the others until all space bars are removed.

NOTE - Some equipment requires supplementary steel between the unit and the isolators. Check equipment manufacturers' recommendations.

Certification Form S-257 04/2014	DWN	CHKD	DATE	DWG No.
----------------------------------	-----	------	------	---------



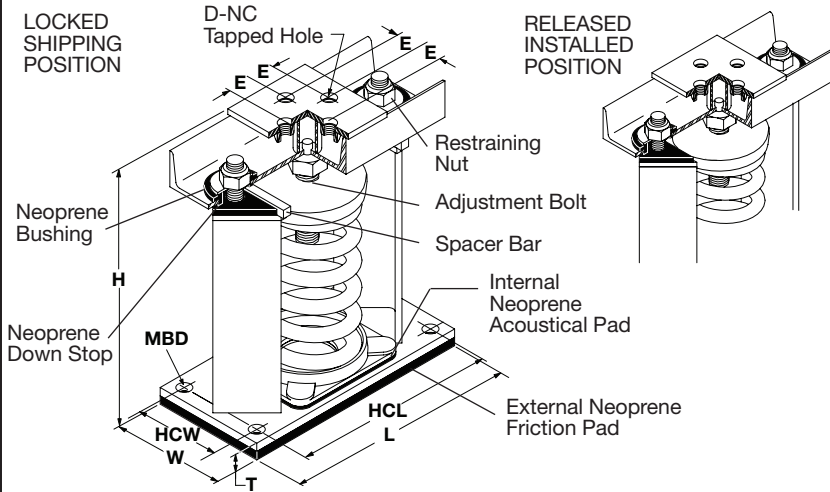
MASON INDUSTRIES, Inc.

Manufacturers of Vibration Control Products

350 Rabro Drive 2101 W. Crescent Ave., Suite D
 Hauppauge, NY 11788 Anaheim, CA 92801
 631/348-0282 714/535-2727
 FAX 631/348-0279 FAX 714/535-5738
 Info@Mason-Ind.com Info@MasonAnaheim.com
 www.Mason-Ind.com

JOB NAME _____
 CUSTOMER _____
 CUSTOMER P.O. _____
 MASON M. _____
 DWG No. _____

SLR
 3" 76mm Deflection
 100 Series
 Spring Mountings



TYPE SLR RATINGS

Size	Rated Capacity (lbs) (kg)	Rated Deflection (in) (mm)	Spring Constant (lbs/in) (kg/mm)	Max. G Rating
126	195 88	3.25 83	60 1.06	3.6
127	280 127	3.25 83	85 1.53	2.5
128	390 177	3.25 83	120 2.13	1.8
129	520 236	3.25 83	160 2.84	3.1
130	710 322	3.25 83	220 3.88	2.3
131	940 426	3.25 83	290 5.13	1.7
132	1280 581	3.25 83	395 7.00	3.1
133	1770 803	3.25 83	545 9.67	1.8
134	2490 1129	3.25 83	765 13.60	1.3
135	3300 1497	3.25 83	1000 18.04	1.0
136	4500 2041	3.25 83	1370 24.59	1.1
137	6200 2818	3.25 83	1900 33.88	1.1
138	8300 3765	3.25 83	2560 45.36	0.8
139	11400 5171	3.25 83	3500 62.30	0.4
140	15200 6895	3.25 83	4685 83.07	0.5
141	20300 9208	3.25 83	6245 110.94	0.5
142	28400 12882	3.25 83	8750 155.20	0.5
143	39000 17690	3.25 83	12000 213.13	0.5

All springs have additional travel to solid equal to 50% of the Rated Deflection.
 Solid Spring Height = Free Height minus 1.5 times Rated Deflection.
 OD/OH = Ratio of Spring Outside Diameter to Operating Height = 0.82-1.15

TYPE SLR DIMENSIONS

Size	L (in) (mm)	W (in) (mm)	H (in) (mm)	T (in) (mm)	MBD (in) (mm)	HCW (in) (mm)	HCL (in) (mm)	D (in) (mm)	E (in) (mm)	OD (in) (mm)	HT (in) (mm)	Color/Strip											
126	9	229	4 1/2	114	10 1/4	260	3/8	10	1/2	13	31/4	83	73/4	197	1/2	13	11/8	29	33/4	95	63/8	162	Purple
127	9	229	4 1/2	114	10 1/4	260	3/8	10	1/2	13	31/4	83	73/4	197	1/2	13	11/8	29	33/4	95	61/2	165	Brown
128	9	229	4 1/2	114	10 1/4	260	3/8	10	1/2	13	31/4	83	73/4	197	1/2	13	11/8	29	4	102	61/2	165	Orange
129	9 3/4	248	5	127	11 1/2	292	3/8	10	1/2	13	33/4	95	81/4	210	5/8	16	11/8	29	4	102	7	178	Green
130	9 3/4	248	5	127	11 1/2	292	3/8	10	1/2	13	33/4	95	81/4	210	5/8	16	11/8	29	4 1/2	114	7 1/4	184	Red
131	9 3/4	248	5	127	11 1/2	292	3/8	10	1/2	13	33/4	95	81/4	210	5/8	16	11/8	29	4 1/2	114	7 1/2	191	White
132	11 1/2	292	5 1/2	140	12	305	1/2	13	1/2	13	31/2	89	10	254	5/8	16	11/8	29	5	127	7 7/8	200	Blue
133	11 1/2	292	7	178	13 7/8	352	1/2	13	5/8	16	4 1/2	114	9 1/2	241	5/8	16	11/4	32	5 1/2	140	9 1/4	235	Black
134	11 1/2	292	7	178	13 7/8	352	1/2	13	5/8	16	4 1/2	114	9 1/2	241	5/8	16	11/4	32	5 1/2	140	9 1/4	235	Yellow
135	11 1/2	292	7	178	13 7/8	352	1/2	13	5/8	16	4 1/2	114	9 1/2	241	5/8	16	11/4	32	6	152	9 1/2	241	Gray
136	14	356	8	203	15	381	1/2	13	5/8	16	4 1/2	114	11 3/4	298	3/4	19	13/8	35	6 3/4	171	9 3/4	248	Blue/Brown
137	15 1/4	384	9	229	15 7/8	403	1/2	13	3/4	19	6	152	13	330	7/8	22	15/8	41	7 3/4	197	10 7/8	276	Blue/Org
138	15 1/4	384	9	229	15 7/8	403	1/2	13	3/4	19	6	152	13	330	7/8	22	15/8	41	7 3/4	197	11	279	Blue/Red
139	15 1/4	384	9	229	17 1/8	435	1/2	13	3/4	19	6	152	13	330	7/8	22	15/8	41	7 3/4	197	12 1/4	311	Blue/Wh
140	17 3/4	451	10	254	20	508	5/8	16	7/8	22	7	178	15	381	1	25	2	51	8 3/4	222	12 3/4	324	Blue/Silver
141	20 1/4	514	10	254	21	533	3/4	19	1	25	8	203	17	432	1	25	2	51	9 1/2	241	13 1/2	343	Blue/Gray
142	21	533	11	279	21 3/4	552	5/8	16	1	25	8 3/4	222	17 3/4	451	1	25	2	51	10 1/4	260	15	381	Blue/Grn
143	22	559	12	305	22 7/8	581	5/8	16	1	25	10	254	18 3/4	476	1	25	2	51	11	279	16 1/8	410	Blue/Yellow

PLAN VIEW OF MOUNT LOCATIONS

TAG: _____
 UNIT: _____



SPECIFIED DEFLECTION

1:	6:
2:	7:
3:	8:
4:	9:
5:	10:
Sets Required:	

INSTALLATION INSTRUCTIONS:

- Supports for mountings must be level to installations' acceptable tolerances.
- Mountings not subjected to seismic or wind forces do not require bolting to supports.
- Mountings subjected to seismic or wind forces must be bolted or welded in position.
- If mountings are welded in position remove lower friction pad before welding.
- Set mountings in the Locked Position.
- Place equipment on mountings and secure by using a minimum of two bolts or by welding.
- Release restraining nuts and leave 1/8 inch clearance. If two nuts are furnished, lock them together at 1/8 inch clearance.
- Take 17 complete counter-clockwise turns on each adjustment bolt.
- Take one additional complete turn on each adjustment bolt in sequence until you can remove the spacer bar on the first mount.
- Take no additional turns on that mount but continue with equal turns on the others until all spacer bars are removed.

NOTE - Some equipment requires supplementary steel between the unit and the isolators. Check equipment manufacturers' recommendations.

Certification Form S-258 02/2013	DWN	CHKD	DATE	DWG No.
----------------------------------	-----	------	------	---------



MASON INDUSTRIES, Inc.

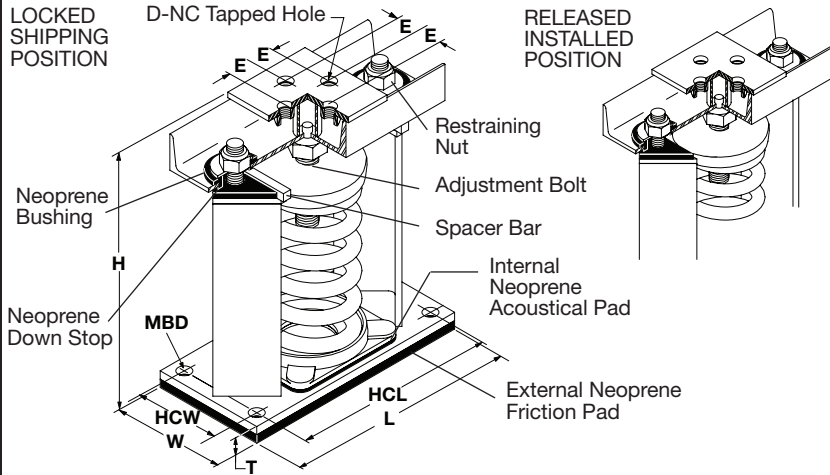
Manufacturers of Vibration Control Products

350 Rabro Drive
Hauppauge, NY 11788
631/348-0282
FAX 631/348-0279
Info@Mason-Ind.com

2101 W. Crescent Ave., Suite D
Anaheim, CA 92801
714/535-2727
FAX 714/535-5738
Info@MasonAnaheim.com
www.Mason-Ind.com

JOB NAME _____
CUSTOMER _____
CUSTOMER P.O. _____
MASON M. _____
DWG No. _____

SLR
4" 102mm Deflection
100 Series
Spring Mountings



TYPE SLR RATINGS

Size	Rated Capacity (lbs) (kg)		Rated Deflection (in) (mm)		Spring Constant (lbs/in) (kg/mm)		Max. G Rating
150	240	109	4.38	121	55	0.98	16.7
151	330	150	4.38	121	75	1.35	12.1
152	420	191	4.38	121	95	1.72	9.5
153	530	240	4.38	121	120	2.16	7.5
154	680	308	4.38	121	155	2.77	4.7
155	880	399	4.38	121	200	3.59	3.6
156	1120	508	4.38	121	255	4.58	4.5
157	1420	644	4.38	121	325	5.80	3.5
158	1840	835	4.38	121	420	7.52	2.7
159	2370	1075	4.38	121	540	9.68	3.0
160	3000	1361	4.38	121	695	12.26	1.7
161	3900	1769	4.38	121	895	15.94	1.3
162	5100	2313	4.38	121	1155	20.84	1.6
163	6500	2948	4.38	121	1485	26.56	1.2
164	8400	3810	4.38	121	1910	34.32	1.0
165	10800	4899	4.38	121	2455	44.14	1.0
166	13800	6260	4.38	121	3160	56.40	0.6
167	17800	8074	4.38	121	4065	72.74	0.5
168	22900	10387	4.38	121	5235	93.58	0.6
169	30000	13608	4.38	121	6730	122.59	0.5

All springs have additional travel to solid equal to 50% of the Rated Deflection.
Solid Spring Height = Free Height minus 1.5 times Rated Deflection.
OD/OH = Ratio of Spring Outside Diameter to Operating Height = 0.82-1.15

TYPE SLR DIMENSIONS

Size	L (in) (mm)		W (in) (mm)		H (in) (mm)		T (in) (mm)		MBD (in) (mm)		HCW (in) (mm)		HCL (in) (mm)		D (in) (mm)	E (in) (mm)	OD (in) (mm)		HT (in) (mm)	Color/ Strip					
150	11 1/2	292	5 1/2	140	12	305	1/2	13	1/2	13	3 1/2	89	10	254	5/8	16	11/8	29	5	127	83/8	213	Purple		
151	11 1/2	292	5 1/2	140	12	305	1/2	13	1/2	13	3 1/2	89	10	254	5/8	16	11/8	29	5	127	81/2	216	Brown		
152	11 1/2	292	5 1/2	140	12	305	1/2	13	1/2	13	3 1/2	89	10	254	5/8	16	11/8	29	5	127	83/8	213	Orange		
153	11 1/2	292	5 1/2	140	12	305	1/2	13	1/2	13	3 1/2	89	10	254	5/8	16	11/8	29	5	127	83/8	213	Green		
154	11 1/2	292	7	178	13 7/8	352	1/2	13	5/8	16	4 1/2	114	9 1/2	241	5/8	16	1 1/4	32	6	152	87/8	225	Red		
155	11 1/2	292	7	178	13 7/8	352	1/2	13	5/8	16	4 1/2	114	9 1/2	241	5/8	16	1 1/4	32	6	152	91/8	232	White		
156	14	356	8	203	15	381	1/2	13	5/8	16	4 1/2	114	11 3/4	298	3/4	19	13/8	35	6	152	97/8	251	Blue		
157	14	356	8	203	15	381	1/2	13	5/8	16	4 1/2	114	11 3/4	298	3/4	19	13/8	35	6	152	10	254	Black		
158	14	356	8	203	15	381	1/2	13	5/8	16	4 1/2	114	11 3/4	298	3/4	19	13/8	35	6	152	63/4	171	103/8	264	Yellow
159	15 1/4	384	9	229	15 7/8	403	1/2	13	3/4	19	6	152	13	330	7/8	22	15/8	41	6	152	63/4	171	111/8	283	Gray
160	15 1/4	384	9	229	17 1/8	435	1/2	13	3/4	19	6	152	13	330	7/8	22	15/8	41	7	178	73/4	197	107/8	276	Blue/Brown
161	15 1/4	384	9	229	17 1/8	435	1/2	13	3/4	19	6	152	13	330	7/8	22	15/8	41	7	178	73/4	197	113/8	289	Blue/Red
162	17 3/4	451	10	254	20	508	5/8	16	7/8	22	7	178	15	381	1	25	2	51	8	203	83/4	222	111/2	292	Blue/Org
163	17 3/4	451	10	254	20	508	5/8	16	7/8	22	7	178	15	381	1	25	2	51	8	203	83/4	222	131/4	337	Blue/Wh
164	17 3/4	451	10	254	20	508	5/8	16	7/8	22	7	178	15	381	1	25	2	51	8	203	83/4	222	133/8	340	Blue/Silver
165	20 1/4	514	10	254	21	533	3/4	19	1	25	8	203	17	432	1	25	2	51	9	229	93/4	248	141/8	359	Blue/Gray
166	22	559	11	279	22 1/4	565	3/4	19	1	25	8	203	18 3/4	476	1	25	2	51	10	254	153/8	391	157/8	403	Blue/Grn
167	22	559	11	279	22 1/4	565	3/4	19	1	25	8	203	18 3/4	476	1	25	2	51	11	279	157/8	403	17	432	Blue/Yellow
168	23	584	12	305	25	635	3/4	19	1	25	9	229	19 3/4	502	1	25	2	51	11	279	17	432	18	457	Blue/Pink
169	23	584	12	305	25	635	3/4	19	1	25	9	229	19 3/4	502	1	25	2	51	11 5/8	295	18	457			Blue/Tan

PLAN VIEW OF MOUNT LOCATIONS

TAG: _____
UNIT: _____



SPECIFIED DEFLECTION

1:	6:
2:	7:
3:	8:
4:	9:
5:	10:
Sets Required:	

INSTALLATION INSTRUCTIONS:

- Supports for mountings must be level to installations' acceptable tolerances.
- Mountings not subjected to seismic or wind forces do not require bolting to supports.
- Mountings subjected to seismic or wind forces must be bolted or welded in position.
- If mountings are welded in position remove lower friction pad before welding.
- Set mountings in the Locked Position.
- Place equipment on mountings and secure by using a minimum of two bolts or by welding.
- Release restraining nuts and leave 1/8 inch clearance. If two nuts are furnished, lock them together at 1/8 inch clearance.
- Take 24 complete counter-clockwise turns on each adjustment bolt.
- Take one additional complete turn on each adjustment bolt in sequence until you can remove the spacer bar on the first mount.
- Take no additional turns on that mount but continue with equal turns on the others until all spacer bars are removed.

NOTE - Some equipment requires supplementary steel between the unit and the isolators. Check equipment manufacturers' recommendations.

Certification Form S-259 02/2013	DWN	CHKD	DATE	DWG No.
----------------------------------	-----	------	------	---------



MASON INDUSTRIES, Inc.

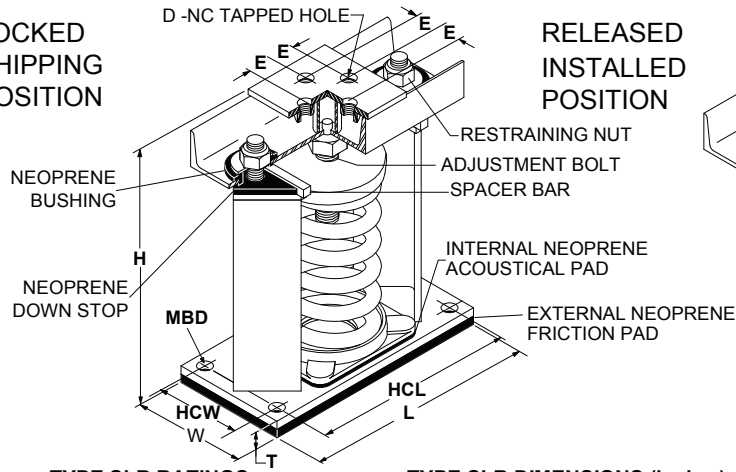
Manufacturers of Vibration Control Products
 350 Rabro Drive 2101 W. Crescent Ave., Suite D
 Hauppauge, NY 11788 Anaheim, CA 92801
 631/348-0282 714/535-2727
 FAX 631/348-0279 FAX 714/535-5738
 Info@Mason-Ind.com Info@MasonAnaheim.com
 www.Mason-Ind.com

JOB NAME _____
 CUSTOMER _____
 CUSTOMER P.O. _____
 MASON M.I. _____
 DWG. NO. _____

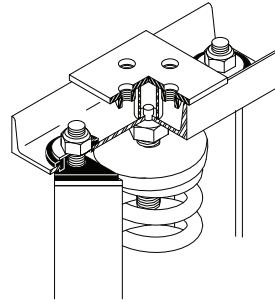
SLR

5" Deflection
 100 Series
 Spring Mountings

LOCKED SHIPPING POSITION



RELEASED INSTALLED POSITION



All springs have additional travel to solid equal to 50% of the rated deflection.

Solid Spring Height = Free Height minus 1.5 times Rated Deflection.

OD/OH = Ratio of Spring Outside Diameter to Operating Height = 0.97 - 1.33.

TYPE SLR RATINGS

Size	Rated Capacity (lbs)	Rated Defl. (in)	Spring Constant (lbs/in)
174	270	5.31	48
175	320	5.31	58
176	370	5.31	70
177	460	5.38	85
178	560	5.38	104
179	670	5.38	126
180	830	5.38	153
181	1000	5.38	187
182	1240	5.37	229
183	1500	5.37	279
184	1830	5.37	340
185	2230	5.37	415
186	2710	5.37	505
187	3300	5.37	617
188	4100	5.37	753
189	4900	5.37	916
190	6000	5.37	1120
191	7300	5.37	1367
192	9000	5.37	1670
193	11000	5.37	2040
194	13300	5.37	2482
195	16300	5.37	3028
196	19800	5.37	3694
197	24200	5.37	4506
198	29000	5.37	5500

TYPE SLR DIMENSIONS (inches)

Size	L	W	H	T	MBD	HCW	HCL	D	E	Spring		
										OD	HT	Color/Stripe
174	12	7	15 1/8	5/8	5/8	4 1/2	10	5/8	1 1/4	6	9 7/8	Purple
175	12	7	15 1/8	5/8	5/8	4 1/2	10	5/8	1 1/4	6	10 1/16	Brown
176	12	7	15 1/8	5/8	5/8	4 1/2	10	5/8	1 1/4	6	10	Orange
177	12	7	15 1/8	5/8	5/8	4 1/2	10	5/8	1 1/4	6	10 1/2	Green
178	12	7	15 1/8	5/8	5/8	4 1/2	10	5/8	1 1/4	6 3/4	10 3/4	Red
179	14	8	15 1/2	1/2	5/8	4 1/2	11 3/4	5/8	1 1/8	6 3/4	11 1/16	White
180	14	8	15 1/2	1/2	5/8	4 1/2	11 3/4	5/8	1 1/8	6 3/4	11 3/8	Blue
181	14	8	15 1/2	1/2	5/8	4 1/2	11 3/4	5/8	1 1/8	6 3/4	11 1/8	Black
182	14	8	15 1/2	1/2	5/8	4 1/2	11 3/4	5/8	1 1/8	6 3/4	11 3/8	Yellow
183	15 1/4	9	18 5/8	5/8	3/4	6	13	7/8	15/8	7 3/4	12 7/16	Gray
184	15 1/4	9	18 5/8	5/8	3/4	6	13	7/8	15/8	7 3/4	11 7/8	Pink
185	15 1/4	9	18 5/8	5/8	3/4	6	13	7/8	15/8	7 3/4	12	Silver
186	15 1/4	9	18 5/8	5/8	3/4	6	13	7/8	15/8	7 3/4	12 3/4	Tan
187	17 1/2	10	19 7/8	3/4	7/8	6	15 1/4	7/8	15/8	8 3/4	12 3/4	Blue/Orange
188	17 1/2	10	19 7/8	3/4	7/8	6	15 1/4	7/8	15/8	8 3/4	13 3/8	Blue/Red
189	17 1/2	10	19 7/8	3/4	7/8	6	15 1/4	7/8	15/8	9 1/16	13 7/16	Blue/White
190	18 1/4	10	21 7/8	3/4	7/8	7	15 1/2	1	2	9 1/2	14 5/8	Blue/Yellow
191	18 1/4	10	21 7/8	3/4	7/8	7	15 1/2	1	2	9 1/2	15 3/16	Blue/Silver
192	22	11	24	3/4	1	8	18 3/4	1	2	10 1/4	15 5/8	Blue/Gray
193	22	11	24	3/4	1	8	18 3/4	1	2	10 1/4	16	Blue/Tan
194	22	11	24	3/4	1	8	18 3/4	1	2	11	16 1/4	Blue/Brown
195	24	12	25 1/2	3/4	1	9	21	1	2	11 3/8	17 1/8	Blue/Pink
196	24	12	25 1/2	3/4	1	9	21	1	2	11 5/8	18	Blue/Black
197	24	14	27	3/4	1 1/4	8	20 3/4	1	2	13	19 1/2	Blue/Green
198	24	14	27	3/4	1 1/4	8	20 3/4	1	2	13	19 1/2	Blue/Purple

PLAN VIEW OF MOUNT LOCATIONS

TAG : _____
 UNIT : _____



_____ SPECIFIED DEFLECTION

1 :	6 :
2 :	7 :
3 :	8 :
4 :	9 :
5 :	10 :
Sets Required:	

INSTALLATION INSTRUCTIONS:

- Supports for mountings must be level to installations' acceptable tolerances.
- Mountings not subjected to seismic or wind forces do not require bolting to supports.
- Mountings subjected to seismic or wind forces must be bolted or welded in position.
- If mountings are welded in position remove lower friction pad before welding.
- Set mountings in the Locked Position.
- Place equipment on mountings and secure by using a minimum of two bolts or by welding.
- Release restraining nuts and leave 1/8 inch clearance. If two nuts are furnished, lock them together at 1/8 inch clearance.
- Take 30 complete counter-clockwise turns on each adjustment bolt.
- Take one additional complete turn on each adjustment bolt in sequence until you can remove the spacer bar on the first mount.
- Take no additional turns on that mount but continue with equal turns on the others until all space bars are removed.

NOTE - Some equipment requires supplementary steel between the unit and the isolators. Check equipment manufacturers' recommendations.

FORM S-288 02/2013

DWN:

CHKD:

DATE:

DWG. No.



MASON INDUSTRIES, Inc.

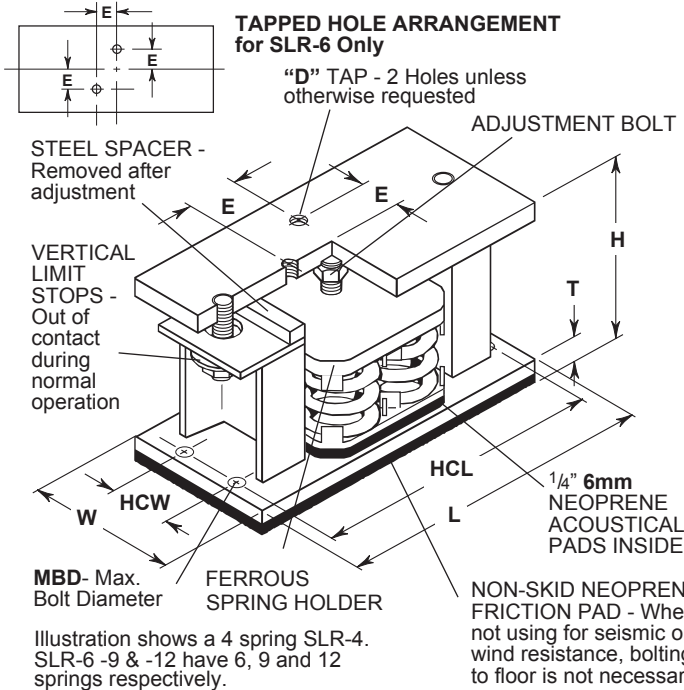
Manufacturers of Vibration Control Products

350 Rabro Drive 2101 W. Crescent Ave., Suite D
 Hauppauge, NY 11788 Anaheim, CA 92801
 631/348-0282 714/535-2727
 FAX 631/348-0279 FAX 714/535-5738
 Info@Mason-Ind.com Info@MasonAnaheim.com

JOB NAME _____
 CUSTOMER _____
 CUSTOMER P.O. _____
 MASON M.I. _____
 DWG. NO. _____

SLR

1" (25mm)
 Deflection
 C SERIES
 Spring Mounts



TYPE SLR RATINGS

Size	Rated Capacity (lbs)	Rated Capacity (kg)	Rated Defl (in)	Rated Defl (mm)	Mount Constant (lbs/in)	Mount Constant (kg/mm)	Spring Color
SLR-4-5400	5400	2450	1.00	25	5400	2450	Yellow
SLR-4-7000	7000	3175	1.00	25	7000	3175	Black*
SLR-4-8400	8400	3810	1.00	25	8400	3810	Yellow*
SLR-4-9540	9540	4330	1.00	25	9540	4330	Yellow**
SLR-4-10600	10600	4810	1.00	25	10600	4810	Red*
SLR-6-12600	12600	5710	1.00	25	12600	5710	Yellow*
SLR-6-14310	14310	6490	1.00	25	14310	6490	Yellow**
SLR-6-15900	15900	7210	1.00	25	15900	7210	Red*
SLR-6-17610	17610	7990	1.00	25	17610	7990	Red**
SLR-9-18900	18900	8570	1.00	25	18900	8570	Yellow*
SLR-9-21465	21465	9730	1.00	25	21465	9730	Yellow**
SLR-9-23850	23850	10820	1.00	25	23850	10820	Red*
SLR-12-25200	25200	11430	1.00	25	25200	11430	Yellow*
SLR-12-28620	28620	12980	1.00	25	28620	12980	Yellow**
SLR-12-31800	31800	14420	1.00	25	31800	14420	Red*
SLR-16-33600	33600	15240	1.00	25	33600	15240	Yellow*
SLR-16-38160	38160	17310	1.00	25	38160	17310	Yellow**

*with Red inner spring. **with Green inner spring.
 Mounts are painted blue.

SPRING DATA

Size	Spring OD (in)	Spring OD (mm)	Free Ht. (in)	Free Ht. (mm)	Ratio Kx/Ky	Ratio OD/OH
C	2 7/8	73	4 1/8	105	0.90-1.10	0.92

Designs using these mounts to resist wind loads must be in accordance with ASCE 7-05.

TYPE SLR DIMENSIONS (inches mm)

Size	D	E	H	L	T	W	HCL	HCW	MBD								
SLR-4	5/8	13/8	35	7 1/2	191	13 1/2	343	1 1/2	13	6	152	12 1/4	311	23/4	70	5/8	16
SLR-6	3/4	13/4	45	8 3/8	213	17 3/4	450	5/8	16	6	152	15 3/4	400	23/4	70	3/4	19
SLR-9	3/4	13/4	45	9 3/4	248	16 1/2	420	5/8	16	9	229	14	356	3	76	5/8	16
SLR-12	3/4	13/4	45	9 3/4	248	19	483	3/4	19	9	229	17	432	3	76	5/8	16
SLR-16	3/4	13/4	45	9 3/4	248	23 1/2	495	3/4	19	13	330	21 1/2	546	3 1/2	89	3/4	19

CERTIFICATION DATA

TAG : _____

UNIT : _____

PLAN VIEW OF MOUNT LOCATION :



SPECIFIED DEFLECTION

1 :	6 :
2 :	7 :
3 :	8 :
4 :	9 :
5 :	10 :
Material for One Set : _____	
Sets Required : _____	



MASON INDUSTRIES, Inc.

Manufacturers of Vibration Control Products

350 Rabro Drive
Hauppauge, NY 11788
631/348-0282
FAX 631/348-0279
Info@Mason-Ind.com

2101 W. Crescent Ave., Suite D
Anaheim, CA 92801
714/535-2727
FAX 714/535-5738
Info@MasonAnaheim.com

JOB NAME _____
CUSTOMER _____
CUSTOMER P.O. _____
MASON M.I. _____
DWG. NO. _____

SLR

1" (25mm) Deflection
C SERIES
SPRING MOUNTS

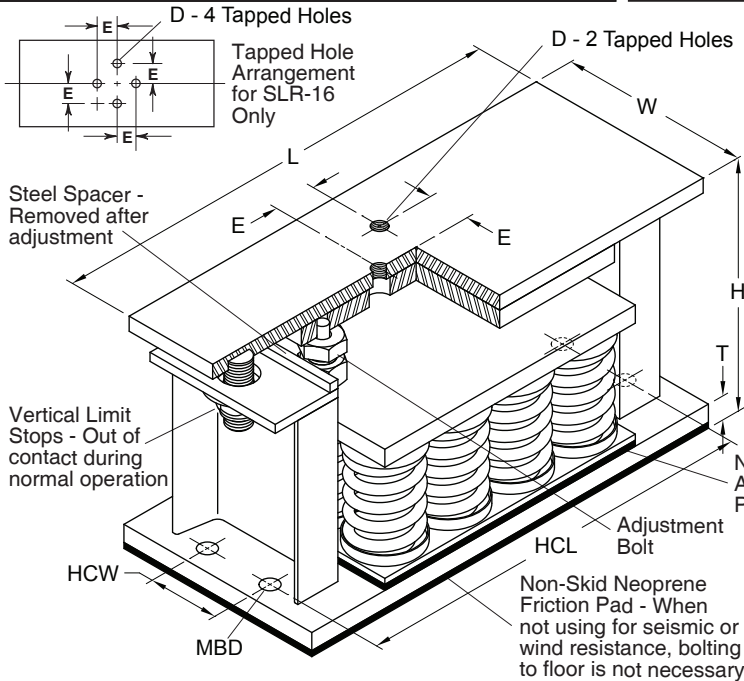


Illustration shows a SLR-12 which contains 12 C springs. SLR-9 & -16 have 9 and 16 C spring respectively.

TYPE SLR RATINGS

Size	Rated Capacity		Rated Defl		Mount Constant		Spring Color
	lbs	kg	in	mm	lbs/in	kg/mm	
SLR-9-18900	18900	8570	1.00	25	18900	8570	Yellow*
SLR-9-21465	21465	9730	1.00	25	21465	9730	Yellow**
SLR-9-23850	23850	10820	1.00	25	23850	10820	Red*
SLR-12-23130	23130	10492	1.00	25	23130	10492	Yellow*
SLR-12-26550	26550	12043	1.00	25	26550	12043	Yellow**
SLR-12-29730	29730	13485	1.00	25	29730	13485	Red*
SLR-16-33600	33600	15240	1.00	25	33600	15240	Yellow*
SLR-16-38160	38160	17310	1.00	25	38160	17310	Yellow**

Mounts are painted blue. *with Red inner spring.

SPRING DATA

Size	Spring OD in mm	Free Ht. in mm	Ratio Kx/Ky	Ratio OD/OH
C	2 7/8 73	4 1/8 105	0.90-1.10	0.92

Designs using these mounts to resist wind loads must be in accordance with ASCE 7-05.

TYPE SLR DIMENSIONS (inches mm)

Size	D	E	H	L	T	W	HCL	HCW	MBD								
SLR-9	3/4	13/4	45	93/4	248	161/2	420	5/8	16	9	229	14	356	3	76	5/8	16
SLR-12	3/4	13/4	45	93/4	248	19	483	3/4	19	9	229	17	432	3	76	5/8	16
SLR-16	3/4	13/4	45	93/4	248	231/2	495	3/4	19	13	330	21 1/2	546	3 1/2	89	3/4	19

CERTIFICATION DATA

TAG : _____

UNIT : _____

PLAN VIEW OF MOUNT LOCATION :



SPECIFIED DEFLECTION

1 :	6 :
2 :	7 :
3 :	8 :
4 :	9 :
5 :	10 :
Sets Required:	

S-158

DWN:

CHKD:

DATE:

DWG. No.



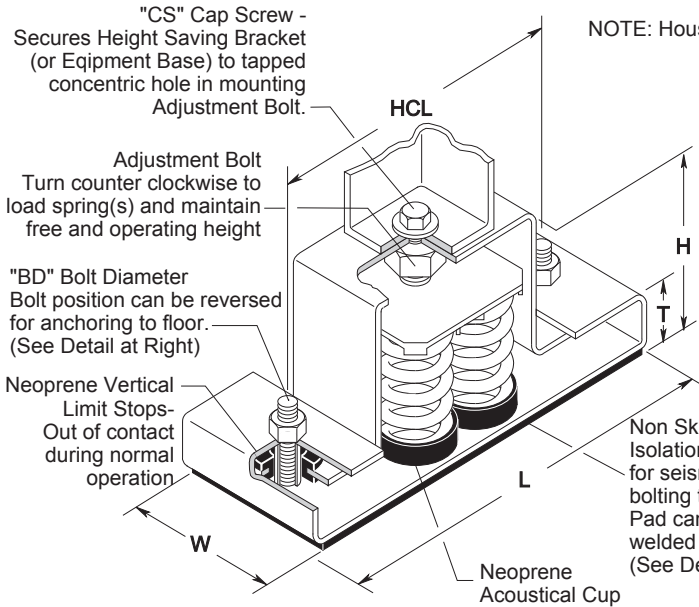
MASON INDUSTRIES, Inc.

Manufacturers of Vibration Control Products
 350 Rabro Drive 2101 W. Crescent Ave., Suite D
 Hauppauge, NY 11788 Anaheim, CA 92801
 631/348-0282 714/535-2727
 FAX 631/348-0279 FAX 714/535-5738
 Info@Mason-Ind.com Info@MasonAnaheim.com
 www.Mason-Ind.com

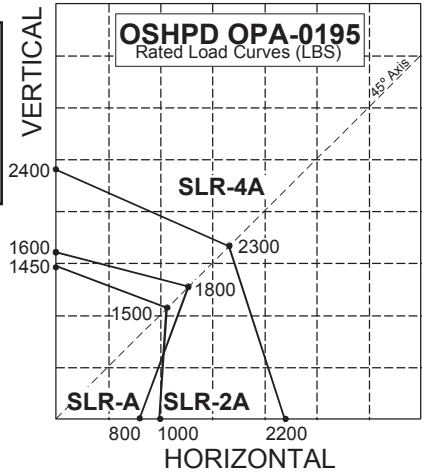
JOB NAME _____
 CUSTOMER _____
 CUSTOMER P.O. _____
 MASON M.I. _____
 DWG. NO. _____

SLR

1" Deflection
 A Series Spring
 Mountings



NOTE: Housings are galvanized.



TYPE SLR DIMENSIONS (inches)

Size	L	W	H	T	HCL	BD	CS
SLR-A	8 3/4	2 1/2	5 1/8	1 3/4	6	3/8	3/8 x 1
SLR-2A	11 5/8	2 1/2	5 1/8	1 3/4	8 3/4	3/8	3/8 x 1
SLR-4A	11 1/8	4 1/2	5 1/8	1 3/4	8	1/2	1/2 x 1 1/4

SPRING DATA

Spring OD	Free Height	Ratio K _x /K _y	Ratio OD/OH
1 3/4	3-3 3/8	0.50-0.90	0.74-1.25

Illustration shows a SLR-4A (4 springs). SLR-A has 1 spring and SLR-2A has 2 springs. All springs have additional travel to solid equal to 50% of the rated deflection.

Solid Spring Height = Free Height minus 1.5 times Rated Deflection.

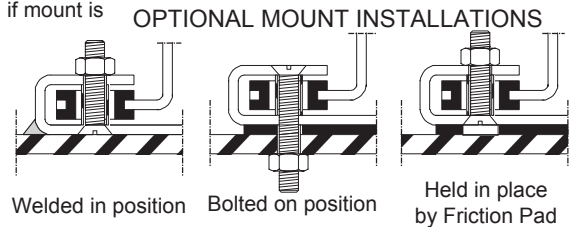
Housing load ratings in G's are based on tests with bolted connections to steel top and bottom. SLR housings require uniform support under entire base plate.

Horizontal and Vertical plotted Ratings are California OSHPD approved values having the OSHPD Anchorage Preapproval Number OPA-0195. Testing and calculations were performed to meet OSHPD criteria.

To use approved OSHPD rated load curves:

1. Calculate Vertical and Horizontal Forces on mounting including translations and overturning moments.
2. Plot Horizontal Load vs Vertical Load.

The point must fall within the area below the OSHPD curve.



TYPE SLR RATINGS

Size	Rated Capacity (lbs)	Rated Defl. (in)	Spring Constant (lbs/in)	Spring Color	Max. Horiz. Static G Rating
SLR-A-45	45	1.60	28	Blue	17.80
SLR-A-75	75	1.50	50	Orange	10.70
SLR-A-125	125	1.33	94	Brown	6.40
SLR-A-200	200	1.15	174	Black	4.00
SLR-A-310	310	1.00	310	Yellow	2.60
SLR-A-400	400	1.00	400	Green	2.00
SLR-A-510	510	1.00	510	Red	1.60
SLR-A-625	625	1.00	625	White	1.30
SLR-2A-620	620	1.00	620	Yellow	1.60
SLR-2A-800	800	1.00	800	Green	1.30
SLR-2A-1020	1020	1.00	1020	Red	1.00
SLR-2A-1250	1250	1.00	1250	White	0.80
SLR-4A-1240	1240	1.00	1240	Yellow	1.60
SLR-4A-1600	1600	1.00	1600	Green	1.30
SLR-4A-2040	2040	1.00	2040	Red	1.00
SLR-4A-2500	2500	1.00	2500	White	0.80

PLAN VIEW OF MOUNT LOCATIONS

TAG : _____
 UNIT : _____



inch SPECIFIED DEFLECTION

1 :	6 :
2 :	7 :
3 :	8 :
4 :	9 :
5 :	10 :
Sets Required:	



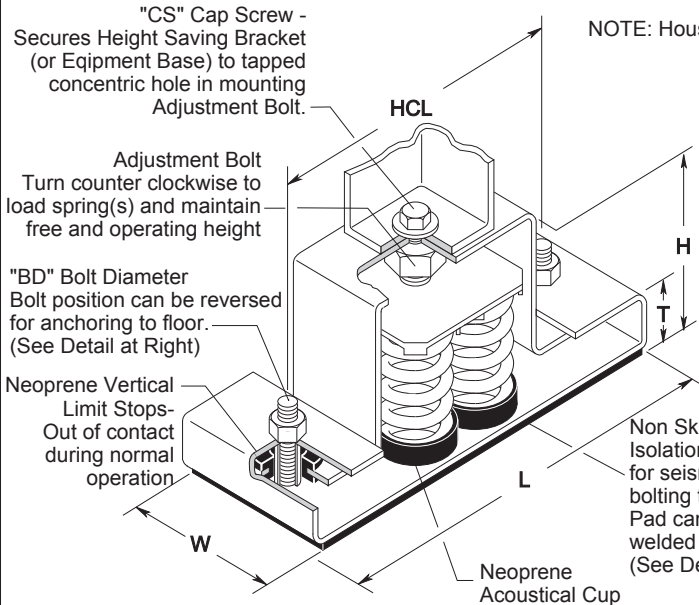
MASON INDUSTRIES, Inc.

Manufacturers of Vibration Control Products
 350 Rabro Drive 2101 W. Crescent Ave., Suite D
 Hauppauge, NY 11788 Anaheim, CA 92801
 631/348-0282 714/535-2727
 FAX 631/348-0279 FAX 714/535-5738
 Info@Mason-Ind.com Info@MasonAnaheim.com
 www.Mason-Ind.com

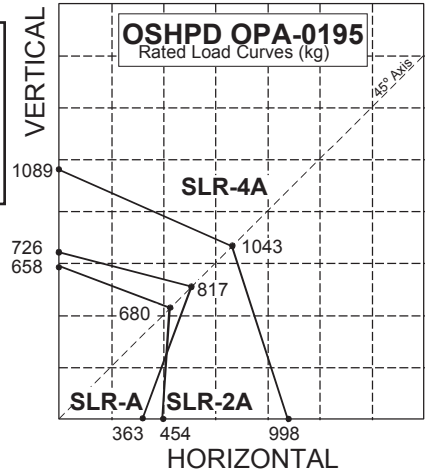
JOB NAME _____
 CUSTOMER _____
 CUSTOMER P.O. _____
 MASON M.I. _____
 DWG. NO. _____

SLR

25mm Deflection
 A Series Spring
 Mountings



NOTE: Housings are galvanized.



TYPE SLR DIMENSIONS

Size	L	W	H	T	HCL	BD	CS
SLR-A	222	64	130	44	152	10	3/8 - 16UNC x 25mm
SLR-2A	295	64	130	44	222	10	3/8 - 16UNC x 25mm
SLR-4A	283	114	130	44	203	13	1/2 - 13UNC x 32mm

SPRING DATA

Spring OD	Free Height	Ratio K _x /K _y	Ratio OD/OH
44	75-86	0.50 - 0.90	0.74 - 1.25

Illustration shows a SLR-4A (4 springs). SLR-A has 1 spring and SLR-2A has 2 springs. All springs have additional travel to solid equal to 50% of the rated deflection.

Solid Spring Height = Free Height minus 1.5 times Rated Deflection.

Housing load ratings in G's are based on tests with bolted connections to steel top and bottom. SLR housings require uniform support under entire base plate.

Horizontal and Vertical plotted Ratings are California OSHPD approved values having the OSHPD Anchorage Preapproval Number OPA-0195. Testing and calculations were performed to meet OSHPD criteria.

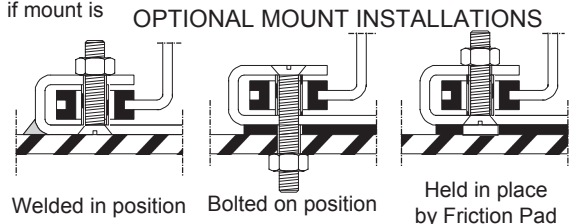
To use approved OSHPD rated load curves:

1. Calculate Vertical and Horizontal Forces on mounting including translations and overturning moments.
2. Plot Horizontal Load vs Vertical Load.

The point must fall within the area below the OSHPD curve.

TYPE SLR RATINGS

Size	Rated Capacity (kg)	Rated Defl. (mm)	Spring Constant (kg/mm)	Spring Color	Max. Horiz. Static G Rating
SLR-A-45	20	41	0.5	Blue	17.80
SLR-A-75	34	38	0.9	Orange	10.70
SLR-A-125	57	34	1.7	Brown	6.40
SLR-A-200	91	29	3.1	Black	4.00
SLR-A-310	141	25	5.5	Yellow	2.60
SLR-A-400	181	25	7.1	Green	2.00
SLR-A-510	231	25	9.1	Red	1.60
SLR-A-625	283	25	11.2	White	1.30
SLR-2A-620	242	25	11	Yellow	1.60
SLR-2A-800	362	25	14	Green	1.30
SLR-2A-1020	462	25	18	Red	1.00
SLR-2A-1250	566	25	22	White	0.80
SLR-4A-1240	484	25	22	Yellow	1.60
SLR-4A-1600	724	25	28	Green	1.30
SLR-4A-2040	924	25	36	Red	1.00
SLR-4A-2500	1132	25	44	White	0.80



PLAN VIEW OF MOUNT LOCATIONS

TAG : _____
 UNIT : _____



SPECIFIED DEFLECTION

1 :	6 :
2 :	7 :
3 :	8 :
4 :	9 :
5 :	10 :
Sets Required:	