



MASON INDUSTRIES, Inc.

Manufacturers of Vibration Control Products
 350 Rabro Drive 2101 W. Crescent Ave., Suite D
 Hauppauge, NY 11788 Anaheim, CA 92801
 631/348-0282 714/535-2727
 FAX 631/348-0279 FAX 714/535-5738
 Info@Mason-Ind.com Info@MasonAnaheim.com
 www.Mason-Ind.com

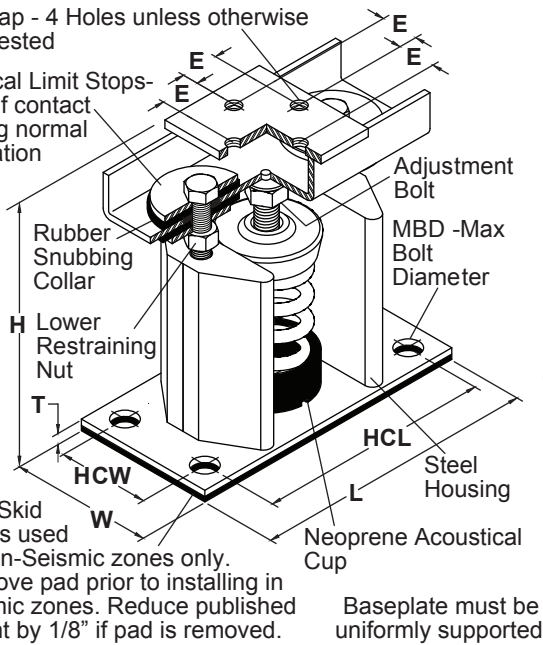
JOB NAME _____
 CUSTOMER _____
 CUSTOMER P.O. _____
 MASON M.I. _____
 DWG. NO. _____

SLRSO

1" DEFLECTION
 B, 1, 2 & 4
 SERIES SPRING
 MOUNTS

"D" Tap - 4 Holes unless otherwise requested

Vertical Limit Stops -
 Out of contact
 during normal
 operation



TYPE SLRSO RATINGS

Size	Rated Capacity (lb)	Rated Defl. (in)	Spring Constant (lb/in)	Max. Horiz. Housing G Rating	Spring Color
SLRSO-B-65	65	2.10	31	21.6	Brown
SLRSO-B-85	85	2.10	40	16.5	Wht/Blk
SLRSO-B-115	115	2.00	57	12.2	Silver
SLRSO-B-150	150	2.00	75	9.3	Orange
SLRSO-B-280	280	1.60	174	5.0	Green
SLRSO-B-450	450	1.31	344	3.1	Red
SLRSO-B-750	750	1.12	670	1.9	White
SLRSO-B-1000	1000	1.00	1000	1.4	Blue
SLRSO-1-1000	1000	1.00	1000	4.4	Black
SLRSO-1-1350	1350	1.00	1350	3.3	Yellow
SLRSO-1-1750	1750	1.00	1750	2.5	Black*
SLRSO-1-2100	2100	1.00	2100	2.1	Yellow*
SLRSO-1-2385	2385	1.00	2385	1.9	Yellow**
SLRSO-1-2650	2650	1.00	2650	1.7	Red*
SLRSO-1-2935	2935	1.00	2935	1.5	Red**
SLRSO-2-3500	3500	1.00	3500	1.8	Black*
SLRSO-2-4200	4200	1.00	4200	1.5	Yellow*
SLRSO-2-4770	4770	1.00	4770	1.3	Yellow**
SLRSO-4-5400	5400	1.00	5400	2.0	Yellow
SLRSO-4-7000	7000	1.00	7000	1.6	Black*
SLRSO-4-8400	8400	1.00	8400	1.3	Yellow*
SLRSO-4-9540	9540	1.00	9540	1.2	Yellow**
SLRSO-4-10600	10600	1.00	10600	1.1	Red*
SLRSO-4-11740	11740	1.00	11740	0.9	Red**

* with RED inner spring ** with GREEN inner spring

SPRING DATA

Size	Spring OD	Free Height	Ratio K_x/K_y	Ratio OD/OH
B	2 3/8	4	0.70-0.80	0.80 - 1.25
C	2 7/8	4 1/8	0.90-1.10	0.92

Illustration shows SLRSO-B housing which contains one (1) B spring. Not shown is SLRSO-1 housing which contains one (1) C spring, SLRSO-2 housing which contains two (2) C springs and SLRSO-4 which contains four (4) C springs.

All springs have an additional travel to solid equal to 50% of the rated deflection.

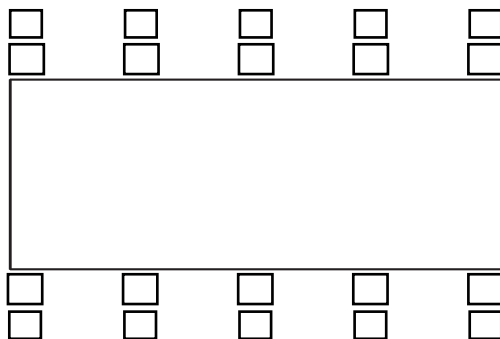
Housing load ratings expressed in G's are based on tests with bolted connections to steel top and bottom.

TYPE SLRSO DIMENSIONS (inches)

Size	L	W	H	T	MBD	HCW	HCL	D	E
SLRSO-B	8 1/2	4 1/4	8 3/4	3/8	5/8	2 3/4	7	1/2	1 1/8
SLRSO-1	9 1/2	5 1/4	8 3/4	3/8	5/8	3 1/2	7 1/2	5/8	1 3/8
SLRSO-2	14	5 1/4	8 3/4	3/8	5/8	3 1/2	12 1/4	5/8	1 3/8
SLRSO-4	13 3/4	8	8 3/4	3/8	3/4	6 1/4	11	7/8	1 3/8

PLAN VIEW OF MOUNT LOCATION

TAG : _____
 UNIT : _____



1 :	7 :
2 :	8 :
3 :	9 :
4 :	10 :
5 :	11 :
6 :	12 :
Sets Required :	

Certification Form S-176 08/2010

DWN:

CHKD:

DATE:

DWG. No.



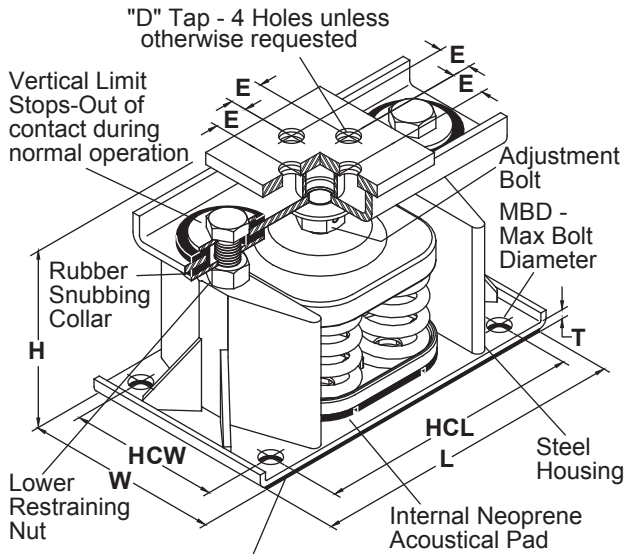
MASON INDUSTRIES, Inc.

Manufacturers of Vibration Control Products
 350 Rabro Drive 2101 W. Crescent Ave., Suite D
 Hauppauge, NY 11788 Anaheim, CA 92801
 631/348-0282 714/535-2727
 FAX 631/348-0279 FAX 714/535-5738
 Info@Mason-Ind.com Info@MasonAnaheim.com
 www.Mason-Ind.com

JOB NAME _____
 CUSTOMER _____
 CUSTOMER P.O. _____
 MASON M.I. _____
 DWG. NO. _____

SLRSO

1" DEFLECTION
 4, 6, & 9
 SERIES SPRING
 MOUNTS



Non-Skid Pad is used in Non-Seismic zones only. Remove pad prior to installing in seismic zones. Reduce published height by 1/8" if pad is removed.

Baseplate must be uniformly supported

TYPE SLRSO DIMENSIONS (inches)

Size	L	W	H	T	MBD	HCW	HCL	D	E
SLRSO-4	13 3/4	8	8 3/4	3/8	3/4	6 1/4	11	7/8	1 3/8
SLRSO-6	19	9	9 3/4	3/8	1	6	15 7/8	1	1 5/8
SLRSO-9	18	13	9 3/4	5/8	1	10 3/4	15 3/4	1	2

Illustration above shows a SLRSO-4 housing with four (4) C springs. Not shown are SLRSO-6 and SLRSO-9 housings which have six (6) C springs and nine (9) C springs respectively.

All springs have an additional travel to solid equal to 50% of the rated deflection.

Housing load ratings expressed in G's are based on tests with bolted connections to steel top and bottom.

TYPE SLRSO RATINGS

Size	Rated Capacity (lb)	Rated Defl. (in)	Spring Constant (lb/in)	Max. Horiz. Housing G Rating	Spring Color
SLRSO-4-5400	5400	1.00	5400	2.0	Yellow
SLRSO-4-7000	7000	1.00	7000	1.6	Black*
SLRSO-4-8400	8400	1.00	8400	1.3	Yellow*
SLRSO-4-9540	9540	1.00	9540	1.2	Yellow**
SLRSO-4-10600	10600	1.00	10600	1.1	Red*
SLRSO-4-11740	11740	1.00	11740	0.9	Red**
SLRSO-6-12600	12600	1.00	12600	1.1	Yellow*
SLRSO-6-14310	14310	1.00	14310	1.0	Yellow**
SLRSO-6-15900	15900	1.00	15900	0.9	Red*
SLRSO-6-17610	17610	1.00	17610	0.8	Red**
SLRSO-9-18900	18900	1.00	18900	±	Yellow/Red
SLRSO-9-21465	21465	1.00	21465	±	Yellow/Grn
SLRSO-9-23850	23850	1.00	23850	±	Red/Red

* with RED inner spring ‡ SLRSO-6 & 9 are currently being tested.
 ** with GREEN inner spring

SPRING DATA

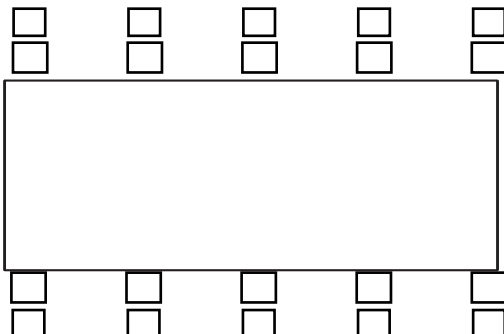
Size	Spring OD	Free Height	Ratio K _x /K _y	Ratio OD/OH
C	2 7/8	4 1/8	0.90-1.10	0.92

CERTIFICATION DATA

TAG : _____

UNIT : _____

PLAN VIEW OF MOUNT LOCATION:



1 :	7 :
2 :	8 :
3 :	9 :
4 :	10 :
5 :	11 :
6 :	12 :
Sets Required :	



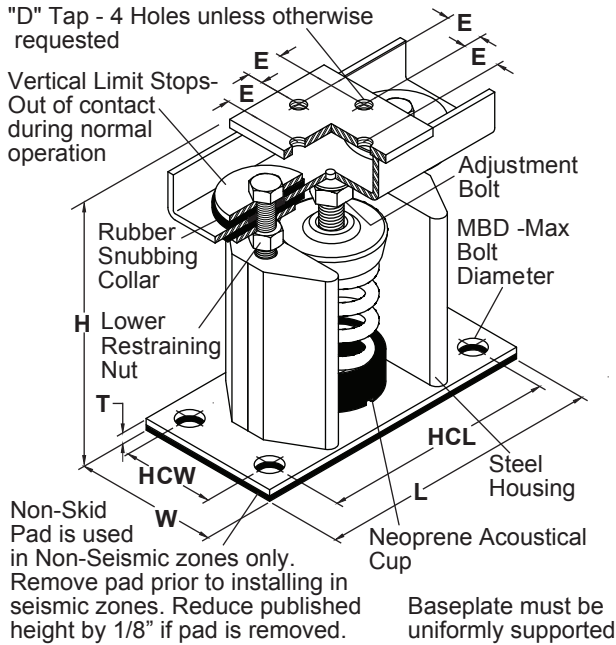
MASON INDUSTRIES, Inc.

Manufacturers of Vibration Control Products
 350 Rabro Drive 2101 W. Crescent Ave., Suite D
 Hauppauge, NY 11788 Anaheim, CA 92801
 631/348-0282 714/535-2727
 FAX 631/348-0279 FAX 714/535-5738
 Info@Mason-Ind.com Info@MasonAnaheim.com
 www.Mason-Ind.com

JOB NAME _____
 CUSTOMER _____
 CUSTOMER P.O. _____
 MASON M.I. _____
 DWG. NO. _____

SLRSO

2" DEFLECTION
 B, B2, C2, 2-C2 & 4-C2
 SERIES SPRING
 MOUNTS



TYPE SLRSO RATINGS

Size	Rated Capacity (lb)	Rated Defl. (in)	Spring Constant (lb/in)	Max. Horiz. Housing G Rating	Spring Color
SLRSO-B-20	20	2.40	8	70.0	Tan
SLRSO-B-26	26	2.18	12	53.9	Wht/Blue
SLRSO-B-35	35	2.20	16	40.0	Purple
SLRSO-B-50	50	2.20	24	28.0	Wht/Red
SLRSO-B-65	65	2.10	31	21.6	Brown
SLRSO-B-85	85	2.10	40	16.5	Wht/Blk
SLRSO-B-115	115	2.00	57	12.2	Silver
SLRSO-B-150	150	2.00	75	9.3	Orange
SLRSO-B2-210	210	2.12	99	6.8	Silver
SLRSO-B2-290	290	2.00	144	4.9	Blue
SLRSO-B2-450#	450	2.00	224	3.2	Tan
SLRSO-B2-680#	680	2.00	340	2.1	Gray
SLRSO-C2-125	125	2.50	50	35.2	Purple
SLRSO-C2-170	170	2.40	70	25.9	Brown
SLRSO-C2-210	210	2.30	90	21.0	Red
SLRSO-C2-260	260	2.20	120	16.9	White
SLRSO-C2-330	330	2.00	165	13.3	Black
SLRSO-C2-460	460	2.00	230	9.6	Blue
SLRSO-C2-610	610	2.00	305	7.2	Green
SLRSO-C2-880#	880	2.00	440	5.0	Gray
SLRSO-C2-1210#	1210	2.00	605	3.6	Silver
SLRSO-C2-1540#	1540	2.00	770	2.9	Gray*
SLRSO-C2-1870#	1870	2.00	935	2.4	Silver*
SLRSO-2-C2-340	340	2.40	140	17.7	Brown
SLRSO-2-C2-420	420	2.30	180	14.3	Red
SLRSO-2-C2-520	520	2.20	240	11.6	White
SLRSO-2-C2-660	660	2.00	330	9.1	Black
SLRSO-2-C2-920	920	2.00	460	6.5	Blue
SLRSO-2-C2-1220	1220	2.00	610	4.9	Green
SLRSO-2-C2-1760#	1760	2.00	880	3.4	Gray
SLRSO-2-C2-2420#	2420	2.00	1210	2.5	Silver
SLRSO-2-C2-3080#	3080	2.00	1540	1.9	Gray*
SLRSO-2-C2-3740#	3740	2.00	1870	1.6	Silver*
SLRSO-4-C2-4840#	4840	2.00	2420	2.2	Silver
SLRSO-4-C2-6160#	6160	2.00	3080	1.7	Gray*
SLRSO-4-C2-7480#	7480	2.00	3740	1.4	Silver*

50% Travel to Solid					
SLRSO Size	Capacity (lbs)	Defl. (in)	SLRSO Size	Capacity (lbs)	Defl. (in)
B2-450	411	1.83	2-C2-2420	2020	1.67
B2-680	565	1.66	2-C2-3080	2570	1.67
C2-880	800	1.82	2-C2-3740	3120	1.67
C2-1210	1010	1.67	4-C2-4840	4040	1.67
C2-1540	1285	1.67	4-C2-6160	5145	1.67
C2-1870	1560	1.67	4-C2-7480	6245	1.67
2-C2-1760	1600	1.82			

SPRING DATA

Size	Spring OD (in)	Free Ht. (in)	Ratio Kx/Ky	Ratio OD/OH
B	2 3/8	4	0.55-0.65	0.95-1.00
B2	2 3/8	4 1/2	0.80-0.90	1.19-1.48
C2	2 7/8	5	0.63-0.85	0.96-1.15

#Published ratings allow minimum 25% additional travel to solid. For 50% minimum specified use the ratings shown above. All springs without "#" have additional travel to solid equal to 50% of the rated deflection.

Illustration shows SLRSO-B housing which contains one (1) B or B2 spring. Not shown is SLRSO-1 housing which contains one (1) C2 spring, SLRSO-2 housing which contains two (2) C2 springs and SLRSO-4 which contains four (4) C2 springs.

Housing load ratings expressed in G's are based on tests with bolted connections to steel top and bottom.

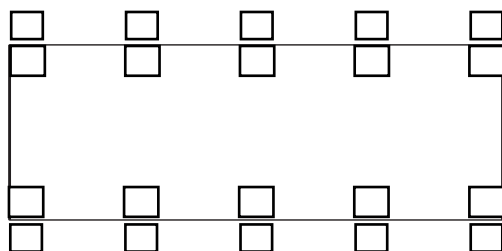
TYPE SLRSO DIMENSIONS (inches)

* with RED inner spring

Size	L	W	H	T	MBD	HCW	HCL	D	E
SLRSO-B, B2	8 1/2	4 1/4	8 3/4	3/8	5/8	2 3/4	7	1/2	1 1/8
SLRSO-C2	9 1/2	5 1/4	8 3/4	3/8	5/8	3 1/2	7 1/2	5/8	1 3/8
SLRSO-2-C2	14	5 1/4	8 3/4	3/8	5/8	3 1/2	12 1/4	5/8	1 3/8
SLRSO-4-C2	13 3/4	8	8 3/4	3/8	3/4	6 1/4	11	7/8	1 3/8

PLAN VIEW OF MOUNT LOCATIONS

TAG : _____
 UNIT : _____



1 :	7 :
2 :	8 :
3 :	9 :
4 :	10 :
5 :	11 :
6 :	12 :
Sets Required :	



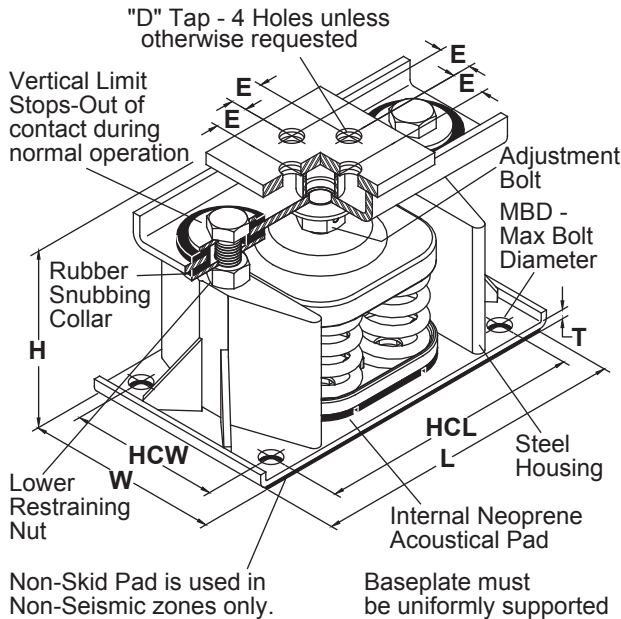
MASON INDUSTRIES, Inc.

Manufacturers of Vibration Control Products
 350 Rabro Drive 2101 W. Crescent Ave., Suite D
 Hauppauge, NY 11788 Anaheim, CA 92801
 631/348-0282 714/535-2727
 FAX 631/348-0279 FAX 714/535-5738
 Info@Mason-Ind.com Info@MasonAnaheim.com
 www.Mason-Ind.com

JOB NAME _____
 CUSTOMER _____
 CUSTOMER P.O. _____
 MASON M.I. _____
 DWG. NO. _____

SLRSO

2" DEFLECTION
 4-C2, 6-C2, & 9-C2
 SERIES SPRING
 MOUNTS



TYPE SLRSO RATINGS

Size	Rated Capacity# (lbs)	Rated Defl. (in)	Spring Constant (lb/in)	Max. Horiz. Housing G Rating	Spring Color
SLRSO-4-C2-4840	4840	2.00	2420	2.2	Silver
SLRSO-4-C2-6160	6160	2.00	3080	1.7	Gray*
SLRSO-4-C2-7480	7480	2.00	3740	1.4	Silver*
SLRSO-6-C2-7260	7260	2.00	3630	1.9	Silver
SLRSO-6-C2-9240	9240	2.00	4620	1.5	Gray*
SLRSO-6-C2-11220	11220	2.00	5610	1.3	Silver*
SLRSO-9-C2-13860	13860	2.00	6930	‡	Gray*
SLRSO-9-C2-16830	16830	2.00	8415	‡	Silver*

* with RED inner spring

‡ SLRSO-9-C2 is currently being tested

SPRING DATA

Size	Spring OD (in)	Free Ht. (in)	Ratio Kx/Ky	Ratio OD/OH
C2	2 7/8	5	0.63-0.85	0.96-1.15

TYPE SLRSO DIMENSIONS (inches)

Size	L	W	H	T	MBD	HCW	HCL	D	E
SLRSO-4	13 3/4	8	8 3/4	3/8	3/4	6 1/4	11	7/8	1 3/8
SLRSO-6	19	9	9 3/4	3/8	1	6	15 7/8	1	1 5/8
SLRSO-9	18	13	9 3/4	5/8	1	10 3/4	15 3/4	1	2

50% Travel to Solid		
Size	Capacity (lbs)	Defl. (in)
4-C2-4840	4040	1.67
4-C2-6160	5145	1.67
4-C2-7480	6245	1.67
6-C2-7260	6060	1.67
6-C2-9240	7715	1.67
6-C2-11220	9370	1.67
9-C2-13860	11570	1.67
9-C2-16830	14050	1.67

#Published ratings allow minimum 25% additional travel to solid. For 50% minimum specified use the ratings shown to the left.

Illustration above shows a SLRSO-4 housing with four (4) C2 springs. Not shown are SLRSO-6 and SLRSO-9 housings which have six (6) C2 springs and nine (9) C2 springs respectively.

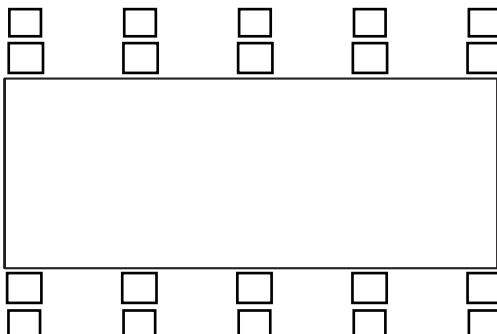
Housing load ratings expressed in G's are based on tests with bolted connections to steel top and bottom.

CERTIFICATION DATA

TAG : _____

UNIT : _____

PLAN VIEW OF MOUNT LOCATION:



1 :	7 :
2 :	8 :
3 :	9 :
4 :	10 :
5 :	11 :
6 :	12 :
Sets Required :	