



MASON INDUSTRIES, Inc.

Manufacturers of Vibration Control Products

350 Rabro Drive 2101 W. Crescent Ave., Suite D
 Hauppauge, NY 11788 Anaheim, CA 92801
 631/348-0282 714/535-2727
 FAX 631/348-0279 FAX 714/535-5738
 Info@Mason-Ind.com Info@MasonAnaheim.com

JOB NAME _____
 CUSTOMER _____
 CUSTOMER P.O. _____
 MASON M.I. _____
 DWG. NO. _____

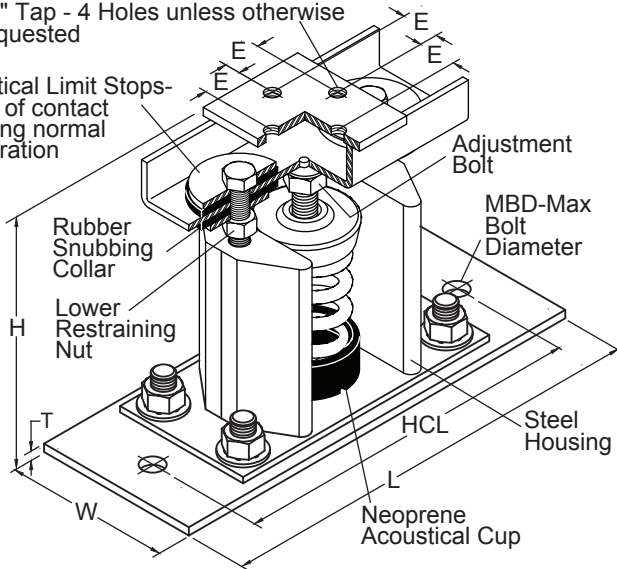
SLRSOEBP

1" DEFLECTION
 B, 1, 2 & 4
 SERIES SPRING
 MOUNTS

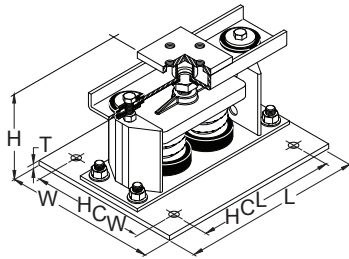
SLRSOEBP-B

"D" Tap - 4 Holes unless otherwise requested

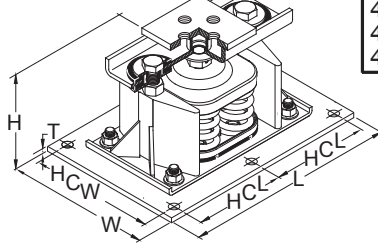
Vertical Limit Stops-
 Out of contact during normal operation



SLRSOEBP-1 & -2



SLRSOEBP-4



Upper illustration shows SLRSOEBP-B housing which contains one (1) B spring. Not shown is SLRSOEBP-1 housing which contains one (1) C spring. Left illustration shows SLRSOEBP-2 housing which contains two (2) C springs and right illustration shows SLRSOEBP-4 which contains four (4) C springs.

All springs have an additional travel to solid equal to 50% of the rated deflection.

TYPE SLRSOEBP RATINGS

SLRSO EBP- Size	Rated Capacity (lb)	Rated Defl. (in)	Spring Constant (lb/in)	Max. Horiz. Housing G Rating Attachment to:		Spring Color
				Steel	Concrete	
B-65	65	2.10	31	21.6	21.6	Brown
B-85	85	2.10	40	16.5	16.5	Wht/Blk
B-115	115	2.00	57	12.2	12.2	Silver
B-150	150	2.00	75	9.3	9.3	Orange
B-280	280	1.60	174	5.0	5.0	Green
B-450	450	1.31	344	3.1	3.1	Red
B-750	750	1.12	670	1.9	1.9	White
B-1000	1000	1.00	1000	1.4	1.4	Blue
1-1000	1000	1.00	1000	4.8	4.4	Black
1-1350	1350	1.00	1350	3.6	3.3	Yellow
1-1750	1750	1.00	1750	2.7	2.5	Black*
1-2100	2100	1.00	2100	2.3	2.1	Yellow*
1-2385	2385	1.00	2385	2.0	1.9	Yellow**
1-2650	2650	1.00	2650	1.8	1.7	Red*
1-2935	2935	1.00	2935	1.6	1.5	Red**
2-3500	3500	1.00	3500	1.7	1.7	Black*
2-4200	4200	1.00	4200	1.4	1.4	Yellow*
2-4770	4770	1.00	4770	1.3	1.3	Yellow**
4-5400	5400	1.00	5400	2.2	1.7	Yellow
4-7000	7000	1.00	7000	1.7	1.3	Black*
4-8400	8400	1.00	8400	1.4	1.1	Yellow*
4-9540	9540	1.00	9540	1.2	1.0	Yellow**
4-10600	10600	1.00	10600	1.1	0.9	Red*
4-11740	11740	1.00	11740	1.0	0.8	Red**

* with RED inner spring
 ** with GREEN inner spring

SPRING DATA

Size	Spring OD	Free Height	Ratio K_x/K_y	Ratio OD/OH
B	2 3/8	4	0.70-0.80	0.80 - 1.25
C	2 7/8	4 1/8	0.90-1.10	0.92

TYPE SLRSOEBP DIMENSIONS (inches)

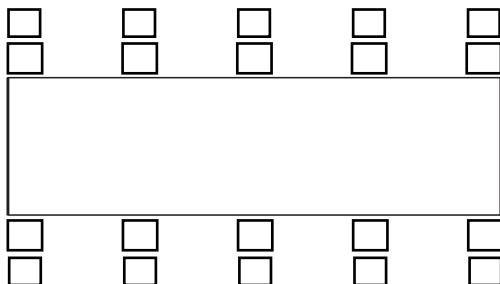
Size	L	W	H	T	MBD	HCW	HCL	D	E
SLRSOEBP-B	13	5	9	3/8	5/8	-	10 1/2	1/2	1 1/8
SLRSOEBP-1	10	10	9	3/8	5/8	8	8	5/8	1 3/8
SLRSOEBP-2	14 1/2	12	9	3/8	3/4	9	11	5/8	1 3/8
SLRSOEBP-4	19	14	9	3/8	3/4	11	8	7/8	1 3/8

CERTIFICATION DATA

TAG : _____

UNIT : _____

PLAN VIEW OF MOUNT LOCATION:



1 :	7 :
2 :	8 :
3 :	9 :
4 :	10 :
5 :	11 :
6 :	12 :
Sets Required :	



MASON INDUSTRIES, Inc.

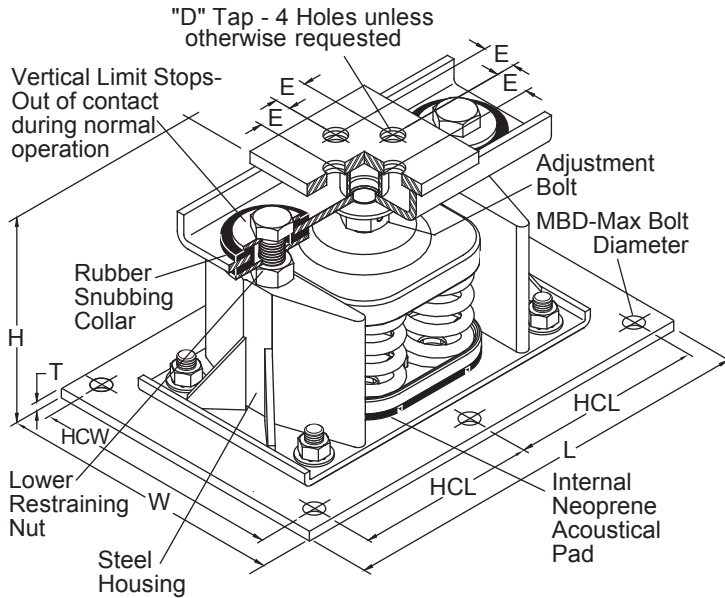
Manufacturers of Vibration Control Products

350 Rabro Drive 2101 W. Crescent Ave., Suite D
 Hauppauge, NY 11788 Anaheim, CA 92801
 631/348-0282 714/535-2727
 FAX 631/348-0279 FAX 714/535-5738
 Info@Mason-Ind.com Info@MasonAnaheim.com

JOB NAME _____
 CUSTOMER _____
 CUSTOMER P.O. _____
 MASON M.I. _____
 DWG. NO. _____

SLRSOEBP

1" DEFLECTION
 4, 6, & 9
 SERIES SPRING
 MOUNTS



TYPE SLRSOEBP RATINGS

SLRSO EBP- Size	Rated Capacity (lb)	Rated Defl. (in)	Spring Constant (lb/in)	Max. Horiz. Housing G Rating		Spring Color
				Attachment to: Steel	Attachment to: Concrete	
4-5400	5400	1.00	5400	2.2	1.7	Yellow
4-7000	7000	1.00	7000	1.7	1.3	Black*
4-8400	8400	1.00	8400	1.4	1.1	Yellow*
4-9540	9540	1.00	9540	1.2	1.0	Yellow**
4-10600	10600	1.00	10600	1.1	0.9	Red*
4-11740	11740	1.00	11740	1.0	0.8	Red**
6-12600	12600	1.00	12600	1.1	0.8	Yellow*
6-14310	14310	1.00	14310	1.0	0.7	Yellow**
6-15900	15900	1.00	15900	0.9	0.65	Red*
6-17610	17610	1.00	17610	0.8	0.6	Red**
9-18900	18900	1.00	18900	‡	‡	Yellow/Red
9-21465	21465	1.00	21465	‡	‡	Yellow/Grn
9-23850	23850	1.00	23850	‡	‡	Red/Red

* with RED inner spring ‡ SLRSOEBP-9 is currently being tested.
 ** with GREEN inner spring

TYPE SLRSOEBP DIMENSIONS (inches)

Size	L	W	H	T	MBD	HCW	HCL	D	E
SLRSOEBP-4	19	14	9	3/8	3/4	11	8	7/8	1 3/8
SLRSOEBP-6	27	15	10 1/4	1/2	1	12	12	1	1 5/8
SLRSOEBP-9	27	19	10 1/4	5/8	1	16	12	1	2

SPRING DATA

Size	Spring OD	Free Height	Ratio K _x /K _y	Ratio OD/OH
C	2 7/8	4 1/8	0.90-1.10	0.92

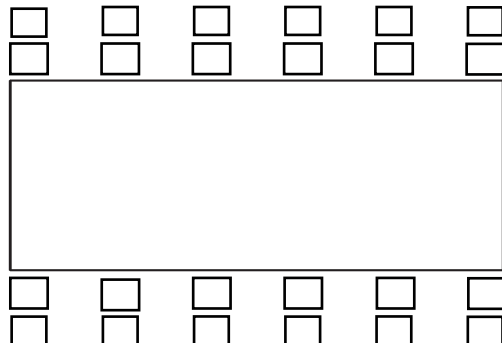
Illustration above shows a SLRSOEBP-4 housing with four (4) C springs. Not shown are SLRSOEBP-6 and SLRSOEBP-9 housings which have six (6) C springs and nine (9) C springs respectively.

All springs have an additional travel to solid equal to 50% of the rated deflection.

CERTIFICATION DATA

TAG : _____
 UNIT : _____

PLAN VIEW OF MOUNT LOCATION:



1 :	7 :
2 :	8 :
3 :	9 :
4 :	10 :
5 :	11 :
6 :	12 :
Sets Required :	



MASON INDUSTRIES, Inc.

Manufacturers of Vibration Control Products

350 Rabro Drive 2101 W. Crescent Ave., Suite D
 Hauppauge, NY 11788 Anaheim, CA 92801
 631/348-0282 714/535-2727
 FAX 631/348-0279 FAX 714/535-5738
 Info@Mason-Ind.com Info@MasonAnaheim.com

JOB NAME _____
 CUSTOMER _____
 CUSTOMER P.O. _____
 MASON M.I. _____
 DWG. NO. _____

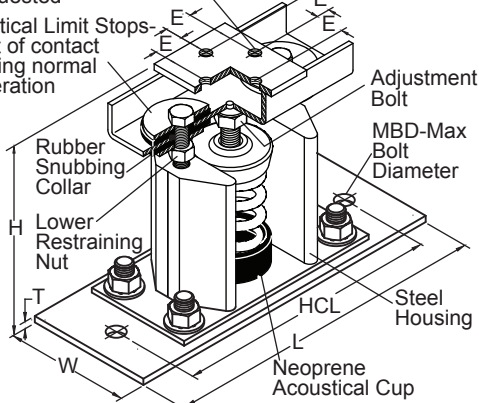
SLRSOEBP

2" DEFLECTION
 B, B2, C2, 2-C2 & 4-C2
 SERIES SPRING
 MOUNTS

SLRSOEBP-B

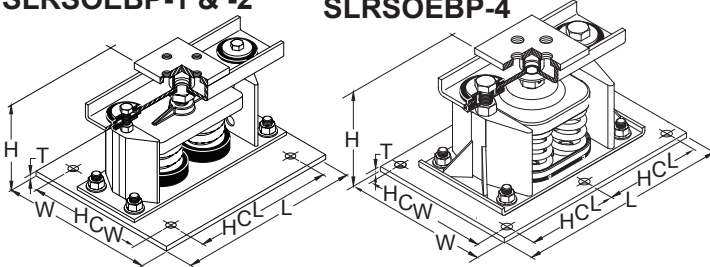
"D" Tap - 4 Holes unless otherwise requested

Vertical Limit Stops-
 Out of contact
 during normal
 operation



SLRSOEBP-1 & -2

SLRSOEBP-4



TYPE SLRSOEBP RATINGS

SLRSO EBP-Size	Rated Capacity (lb)	Rated Defl. (in)	Spring Constant (lb/in)	Max. Steel	Horiz. Attachment to Concrete	Housing G Rating	Spring Color
B-20	20	2.40	8	70.0	70.0	Tan	
B-26	26	2.18	12	53.9	53.9	Wht/Blue	
B-35	35	2.20	16	40.0	40.0	Purple	
B-50	50	2.20	24	28.0	28.0	Wht/Red	
B-65	65	2.10	31	21.6	21.6	Brown	
B-85	85	2.10	40	16.5	16.5	Wht/Blk	
B-115	115	2.00	57	12.2	12.2	Silver	
B-150	150	2.00	75	9.3	9.3	Orange	
B2-210	210	2.12	99	6.8	6.8	Silver	
B2-290	290	2.00	145	4.9	4.9	Blue	
B2-450#	450	2.00	224	3.2	3.2	Tan	
B2-680#	680	2.00	340	2.1	2.1	Gray	
C2-125	125	2.50	50	38.4	35.5	Purple	
C2-170	170	2.40	70	28.2	26.1	Brown	
C2-210	210	2.30	90	22.8	21.1	Red	
C2-260	260	2.20	120	18.5	17.1	White	
C2-330	330	2.00	165	14.6	13.5	Black	
C2-460	460	2.00	230	10.4	9.6	Blue	
C2-610	610	2.00	305	7.9	7.3	Green	
C2-880#	880	2.00	440	5.5	5.0	Gray	
C2-1210#	1210	2.00	605	4.0	3.7	Silver	
C2-1540#	1540	2.00	770	3.1	2.9	Gray*	
C2-1870#	1870	2.00	935	2.6	2.4	Silver*	
2-C2-340	340	2.40	140	17.7	17.7	Brown	
2-C2-420	420	2.30	180	14.3	14.3	Red	
2-C2-520	520	2.20	240	11.6	11.6	White	
2-C2-660	660	2.00	330	9.1	9.1	Black	
2-C2-920	920	2.00	460	6.5	6.5	Blue	
2-C2-1220	1220	2.00	610	4.9	4.9	Green	
2-C2-1760#	1760	2.00	880	3.4	3.4	Gray	
2-C2-2420#	2420	2.00	1210	2.5	2.5	Silver	
2-C2-3080#	3080	2.00	1540	1.9	1.9	Gray*	
2-C2-3740#	3740	2.00	1870	1.6	1.6	Silver*	
4-C2-4840#	4840	2.00	2420	2.4	1.9	Silver	
4-C2-6160#	6160	2.00	3080	1.9	1.5	Gray*	
4-C2-7480#	7480	2.00	3740	1.6	1.2	Silver*	

50% Travel to Solid

SLRSO EBP-Size	Capacity (lbs)	Defl. (in)	SLRSO EBP-Size	Capacity (lbs)	Defl. (in)
B2-450	411	1.83	2-C2-2420	2020	1.67
B2-680	565	1.66	2-C2-3080	2570	1.67
C2-880	800	1.82	2-C2-3740	3120	1.67
C2-1210	1010	1.67	4-C2-4840	4040	1.67
C2-1540	1285	1.67	4-C2-6160	5145	1.67
C2-1870	1560	1.67	4-C2-7480	6245	1.67
2-C2-1760	1600	1.82			

SPRING DATA

Size	Spring OD (in)	Free Ht. (in)	Ratio Kx/Ky	Ratio OD/OH
B	2 3/8	4	0.55-0.65	0.95-1.00
B2	2 3/8	4 1/2	0.80-0.90	1.19-1.48
C2	2 7/8	5	0.63-0.85	0.96-1.15

TYPE SLRSOEBP DIMENSIONS (inches)

Size	L	W	H	T	MBD	HCW	HCL	D	E
SLRSOEBP-B, B2	13	5	9	3/8	5/8	-	10 1/2	1/2	1 1/8
SLRSOEBP-C2	10	10	9	3/8	5/8	8	8	5/8	1 3/8
SLRSOEBP-2-C2	14 1/2	12	9	3/8	3/4	9	11	5/8	1 3/8
SLRSOEBP-4-C2	19	14	9	3/8	3/4	11	8	7/8	1 3/8

#Published ratings allow minimum 25% additional travel to solid. For 50% minimum specified use the ratings shown above. All springs without "#" have additional travel to solid equal to 50% of the rated deflection.

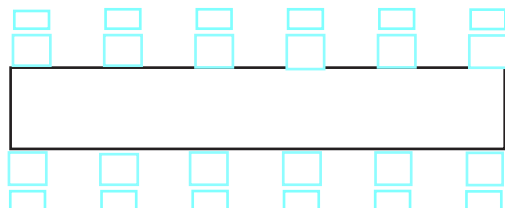
Upper illustration shows SLRSOEBP-B housing which contains one (1) B or B2 spring. Not shown is SLRSOEBP-1 housing which contains one (1) C2 spring. Left illustration shows SLRSOEBP-2 housing which contains two (2) C2 springs and right illustration shows SLRSOEBP-4 which contains four (4) C2 springs.

CERTIFICATION DATA

TAG : _____

UNIT : _____

PLAN VIEW OF MOUNT LOCATION:



1 :	7 :
2 :	8 :
3 :	9 :
4 :	10 :
5 :	11 :
6 :	12 :
Sets Required :	



MASON INDUSTRIES, Inc.

Manufacturers of Vibration Control Products

350 Rabro Drive
Hauppauge, NY 11788
631/348-0282
FAX 631/348-0279
Info@Mason-Ind.com

2101 W. Crescent Ave., Suite D
Anaheim, CA 92801
714/535-2727
FAX 714/535-5738
Info@MasonAnaheim.com

JOB NAME _____
 CUSTOMER _____
 CUSTOMER P.O. _____
 MASON M.I. _____
 DWG. NO. _____

SLRSOEBP

2" DEFLECTION
4-C2, 6-C2, & 9-C2
SERIES SPRING
MOUNTS

TYPE SLRSOEBP RATINGS

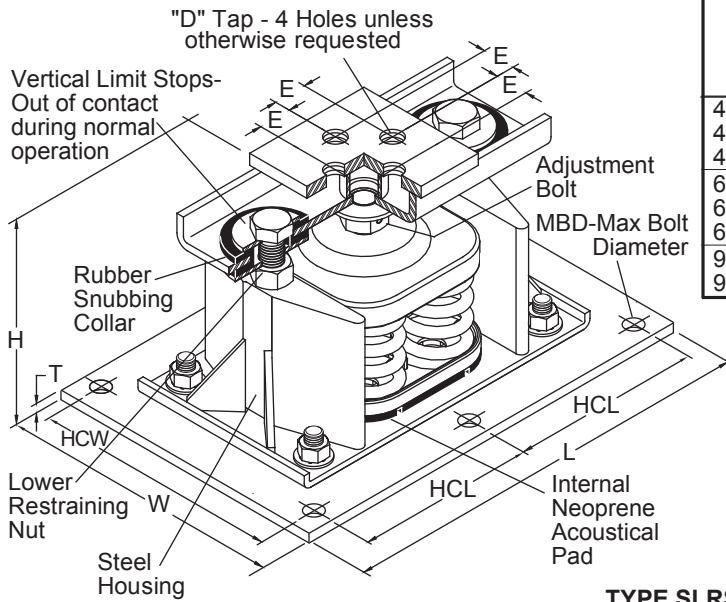
SLRSO EBP- Size	Rated Capacity# (lbs)	Rated Defl. (in)	Spring Constant (lb/in)	Max. Horiz. Housing G Rating		Spring Color
				Attachment to: Steel	Concrete	
4-C2-4840	4840	2.00	2420	2.4	1.9	Silver
4-C2-6160	6160	2.00	3080	1.9	1.5	Gray*
4-C2-7480	7480	2.00	3740	1.6	1.2	Silver*
6-C2-7260	7260	2.00	3630	1.9	1.4	Silver
6-C2-9240	9240	2.00	4620	1.5	1.1	Gray*
6-C2-11220	11220	2.00	5610	1.2	0.9	Silver*
9-C2-13860	13860	2.00	6930	‡	‡	Gray*
9-C2-16830	16830	2.00	8415	‡	‡	Silver*

* with RED inner spring

‡ SLRSOEBP-9-C2 is currently being tested

SPRING DATA

Size	Spring OD (in)	Free Ht. (in)	Ratio Kx/Ky	Ratio OD/OH
C2	2 7/8	5	0.63-0.85	0.96-1.15



TYPE SLRSOEBP DIMENSIONS (inches)

Size	L	W	H	T	MBD	HCW	HCL	D	E
SLRSOEBP-4	19	14	9	3/8	3/4	11	8	7/8	1 3/8
SLRSOEBP-6	27	15	10 1/4	1/2	1	12	12	1	1 5/8
SLRSOEBP-9	27	19	10 1/4	5/8	1	16	12	1	2

50% Travel to Solid		
Size	Capacity (lbs)	Defl. (in)
4-C2-4840	4040	1.67
4-C2-6160	5145	1.67
4-C2-7480	6245	1.67
6-C2-7260	6060	1.67
6-C2-9240	7715	1.67
6-C2-11220	9370	1.67
9-C2-13860	11570	1.67
9-C2-16830	14050	1.67

Published ratings allow minimum 25% additional travel to solid. For 50% minimum specified use the ratings shown to the left.

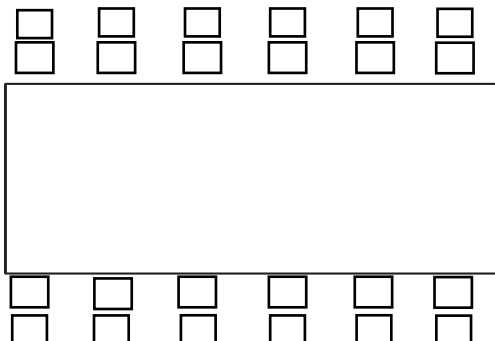
Illustration above shows a SLRSOEBP-4 housing with four (4) C2 springs. Not shown are SLRSOEBP-6 and SLRSOEBP-9 housings which have six (6) C2 springs and nine (9) C2 springs respectively.

CERTIFICATION DATA

TAG : _____

UNIT : _____

PLAN VIEW OF MOUNT LOCATION:



1 :	7 :
2 :	8 :
3 :	9 :
4 :	10 :
5 :	11 :
6 :	12 :
Sets Required :	