



MASON INDUSTRIES, Inc.

Manufacturers of Vibration Control Products

350 Rabro Drive Hauppauge, NY 11788
 631/348-0282
 FAX 631/348-0279
 Info@Mason-Ind.com
 www.Mason-Ind.com

2101 W. Crescent Ave., Suite D
 Anaheim, CA 92801
 714/535-2727
 FAX 714/535-5738
 Info@MasonAnaheim.com
 www.MasonAnaheim.com

1"(25mm) and Page 2, 2"(51mm)

TYPE

**DEFLECTION RESTRAINED
 SEISMIC SPRING MOUNTS**
 with or without **EXTENDED
 BASE PLATES**

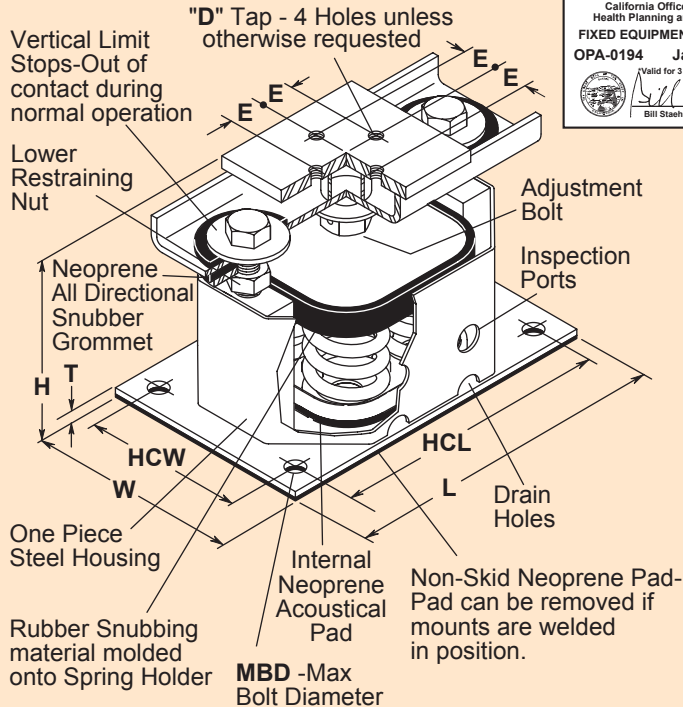
SLRS

DATA SHEET DS-224

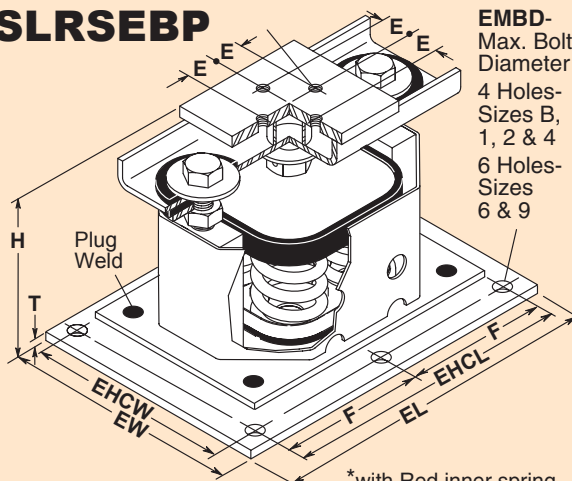
1"(25mm) Deflection SLRS SPRING MOUNTS

Use SLRSEBP when Extended Base Plate is required.

SLRS



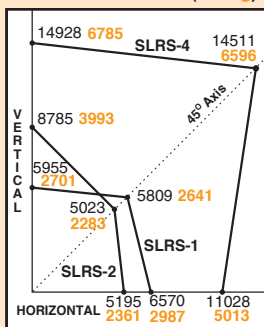
SLRSEBP



TYPE SLRS & SLRSEBP RATINGS

SLRS or SLRSEBP Size	Rated Capacity (lbs) (kg)	Rated Defl (in) (mm)	Mount Constant (lbs/in)(kg/mm)	Max. G Rating	Spring Color
B-65	65 29	2.10 53	31 0.55	24.6	Brown
B-85	85 39	2.10 53	40 0.74	18.9	White ^{††}
B-115	115 52	2.00 51	57 1.02	13.9	Silver
B-150	150 68	2.00 51	75 1.33	10.6	Orange
B-280	280 127	1.60 41	174 3.10	5.7	Green
B-450	450 204	1.31 33	344 6.18	3.5	Red
B-750	750 340	1.12 28	670 12.14	2.1	White
B-1000	1000 454	1.00 25	1000 18.16	1.6	Blue
1-1000	1000 454	1.00 25	1000 18.16	6.0	Black
1-1350	1350 612	1.00 25	1350 24.48	4.4	Yellow
1-1750	1750 794	1.00 25	1750 31.76	3.4	Black*
1-2100	2100 953	1.00 25	2100 38.12	2.8	Yellow
1-2385	2385 1082	1.00 25	2385 43.28	2.5	Yellow**
1-2650	2650 1202	1.00 25	2650 48.08	2.3	Red*
1-2935	2935 1331	1.00 25	2935 53.24	2.0	Red**
2-3500	3500 1588	1.00 25	3500 63.52	1.5	Black*
2-4200	4200 1905	1.00 25	4200 76.20	1.2	Yellow*
2-4770	4770 2164	1.00 25	4770 86.56	1.1	Yellow**
4-5400	5400 2449	1.00 25	5400 97.96	2.0	Yellow
4-7000	7000 3175	1.00 25	7000 127.00	1.6	Black*
4-8400	8400 3810	1.00 25	8400 152.40	1.3	Yellow*
4-9540	9540 4327	1.00 25	9540 173.08	1.2	Yellow**
4-10600	10600 4808	1.00 25	10600 192.32	1.1	Red*
4-11740	11740 5325	1.00 25	11740 213.00	0.9	Red**
6-12600	12600 5715	1.00 25	12600 228.60	1.5	Yellow*
6-14310	14310 6491	1.00 25	14310 259.64	1.4	Yellow**
6-15900	15900 7212	1.00 25	15900 288.48	1.2	Red*
6-17610	17610 7988	1.00 25	17610 319.52	1.1	Red**
9-18900	18900 8573	1.00 25	18900 342.92	1.4	Yellow*
9-21465	21465 9736	1.00 25	21465 389.44	1.2	Yellow**
9-23850	23850 10818	1.00 25	23850 432.72	1.1	Red*

OSHPD OPA-194 Rated Load Curves (lbs kg)



Horizontal, Vertical and 45° plotted Ratings are California OSHPD approved values having the OSHPD Anchorage Preapproval Number OPA-0194. Testing and calculations were performed to meet OSHPD criteria.

To use approved OSHPD rated load curves:

- 1) Calculate Vertical and Horizontal Forces on mountings including translations and overturning moments.
- 2) Plot Horizontal and Vertical Loads. The intersection must fall within the area below the OSHPD curve.

TYPE SLRS & SLRSEBP DIMENSIONS (inches and mm)

Size	H	T	D	E	SLRS					SLRSEBP					
					L	HCL	W	HCW	MBD	EL	EHCL	F	EW	EHCW	EMBD
B	81/2 216	3/8 10	1/2 13	11/8 29	81/2 216	7 178	41/4 108	23/4 70	5/8 16	10 254	8 203	-	9 229	71/4 184	3/4 19
1	81/2 216	3/8 10	5/8 16	13/8 35	91/2 241	71/2 191	51/4 133	31/2 89	5/8 16	10 254	8 203	-	9 229	71/4 184	3/4 19
2	81/2 216	3/8 10	5/8 16	13/8 35	14 356	121/4 311	51/4 133	31/2 89	5/8 16	14 356	12 305	-	11 295	9 229	7/8 22
4	81/2 216	3/8 10	7/8 22	13/8 35	13 330	11 279	83/8 213	61/4 159	3/4 19	17 432	15 381	-	14 356	12 305	11/8 29
6	9 229	1/2 13	1 25	15/8 41	161/2 419	14 356	83/8 213	6 152	1 25	27 686	-	12 305	15 381	12 305	11/8 29
9	93/4 248	5/8 16	1 25	2 51	17 432	143/4 375	13 330	103/4 273	1 25	27 686	-	12 305	18 457	15 381	11/8 29

SPRING CHARACTERISTICS (inches and mm)

Spring Size	OD	Free Height	Ratio Kx/Ky	Ratio OD/OH
B	23/8 60	4 102	0.70-0.80	0.80
C	27/8 73	41/8 105	0.90-1.10	0.92

All springs have an additional travel to solid equal to 50% of the rated deflection.

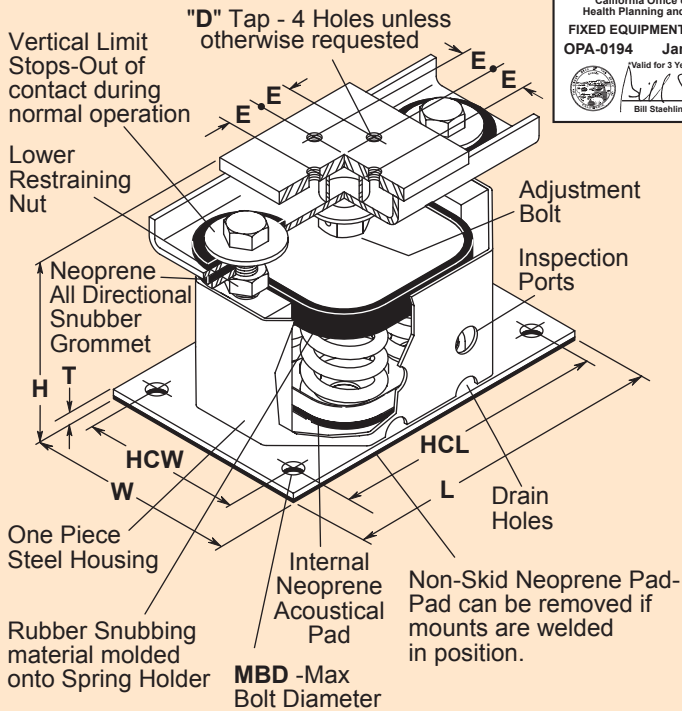
Solid Spring Height = Free Height minus 1.5 times the Rated Deflection.

Designs using these mounts to resist wind loads must be in accordance with ASCE 7-02. Housing load ratings expressed in G's are based on tests with bolted connections to steel top and bottom. SLRS housings require uniform support under entire base plate.

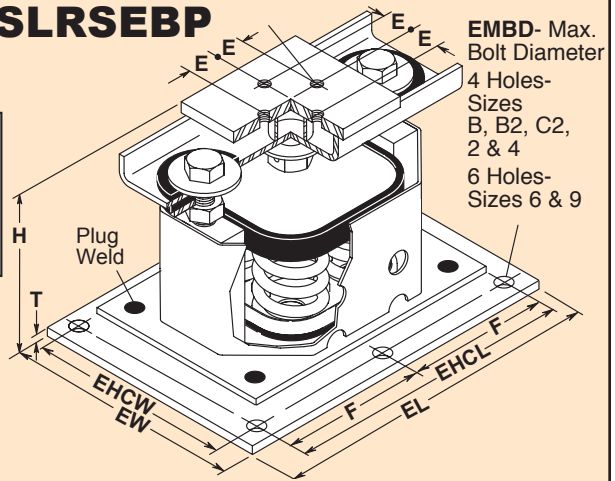
2"(51mm) Deflection SLRS SPRING MOUNTS

Use SLRSEBP when Extended Base Plate is required.

SLRS



SLRSEBP



TYPE SLRS & SLRSEBP RATINGS

SLRS or SLRSEBP Size	Rated Capacity (lbs) (kg)	Rated Defl (in) (mm)	Mount Constant (lbs/in)(kg/mm)	Max. G Rating	Spring Color
B-20	20 9	2.40 61	8 0.15	80.0	Tan
B-26	26 12	2.18 55	12 0.22	61.5	Wht/Blue
B-35	35 16	2.20 56	16 0.29	45.7	Purple
B-50	50 23	2.20 56	24 0.41	32.0	Wht/Red
B-65	65 29	2.10 53	31 0.55	24.6	Brown
B-85	85 39	2.10 53	40 0.74	18.8	Wht/Blk
B-115	115 52	2.00 51	57 1.02	13.9	Silver
B-150	150 68	2.00 51	75 1.33	10.7	Orange
B2-210	210 95	2.12 54	99 1.76	7.6	Silver
B2-290	290 132	2.00 51	144 2.59	5.5	Blue
B2-450†	450 204	2.00 51	224 4.00	3.6	Tan
B2-680†	680 308	2.00 51	340 6.04	2.4	Gray
C2-125	125 57	2.50 64	50 0.89	48.0	Purple
C2-170	170 77	2.40 61	70 1.26	35.0	Brown
C2-210	210 95	2.30 58	90 1.64	28.3	Red
C2-260	260 118	2.20 56	120 2.11	23.0	White
C2-330	330 150	2.00 51	165 2.94	18.0	Black
C2-460	460 209	2.00 51	230 4.10	13.0	Blue
C2-610	610 277	2.00 51	305 5.43	9.8	Green
C2-880†	880 399	2.00 51	440 7.82	6.8	Gray
C2-1210†	1210 549	2.00 51	605 10.76	4.9	Silver
C2-1540†	1540 699	2.00 51	770 13.71	3.9	Gray*
C2-1870†	1870 848	2.00 51	935 16.63	3.2	Silver*
2-C2-340	340 154	2.40 61	140 2.52	15.3	Brown
2-C2-420	420 191	2.30 58	180 3.29	12.4	Red
2-C2-520	520 236	2.20 56	240 4.21	10.0	White
2-C2-660	660 299	2.00 51	330 5.86	7.9	Black
2-C2-920	920 417	2.00 51	460 8.18	5.7	Blue
2-C2-1220	1220 553	2.00 51	610 10.84	4.3	Green
2-C2-1760†	1760 798	2.00 51	880 15.65	3.0	Gray
2-C2-2420†	2420 1098	2.00 51	1210 21.53	2.2	Silver
2-C2-3080†	3080 1397	2.00 51	1540 27.39	1.7	Gray*
2-C2-3740†	3740 1696	2.00 51	1870 33.24	1.4	Silver*
4-C2-4840†	4840 2195	2.00 51	2420 43.04	2.3	Silver
4-C2-6160†	6160 2794	2.00 51	3080 54.78	1.8	Gray*
4-C2-7480†	7480 3393	2.00 51	3740 66.53	1.5	Silver*
6-C2-7260†	7260 3293	2.00 51	3630 64.57	2.7	Silver
6-C2-9240†	9240 4191	2.00 51	4620 82.18	2.1	Gray*
6-C2-11220†	11220 5089	2.00 51	5610 99.78	1.7	Silver*
9-C2-13860†	13860 6287	2.00 51	6930 123.27	1.9	Gray*
9-C2-16830†	16830 7634	2.00 51	8415 149.69	1.6	Silver*

*with Red inner spring

Illustration above shows a SLRS-4-C2 (4 springs). SLRS-B, -2 & -C2 have one spring, and SLRS-2-C2 has two springs, SLRS-6-C2 has six springs and SLRS-9-C2 has nine springs.

See front page for OSHPD Rated Load Curves

SPRING CHARACTERISTICS (inches and mm)

Spring Size	OD	Free Height	Ratio Kx/Ky	Ratio OD/OH
B	23/8 60	4 102	0.55-0.65	0.95-1.00
B2	23/8 60	4 1/2 114	0.80-0.90	1.19-1.48
C2	27/8 73	5 127	0.63-0.85	0.96-1.15

†Published ratings allow minimum 25% additional travel to solid. For a full 50% specified minimum use the following ratings:

Size	Derated Capacity (lbs) (kg)	Defl. (in) (mm)	Size	Derated Capacity (lbs) (kg)	Defl. (in) (mm)
B2-450	410 186	1.83 46	2-C2-3740	3120 1415	1.67 42
B2-680	565 256	1.67 42	4-C2-4840	4040 1833	1.67 42
C2-880	800 363	1.82 46	4-C2-6160	5145 2334	1.67 42
C2-1210	1010 458	1.67 42	4-C2-7480	6245 2833	1.67 42
C2-1540	1285 583	1.67 42	6-C2-7260	6060 2749	1.67 42
C2-1870	1560 708	1.67 42	6-C2-9240	7715 3500	1.67 42
2-C2-1760	1600 726	1.67 42	6-C2-11220	9370 4250	1.67 42
2-C2-2420	2020 916	1.67 42	9-C2-13860	11570 5248	1.67 42

TYPE SLRS DIMENSIONS (inches and mm)

Size	H	T	D	E	SLRS					SLRSEBP					
					L	HCL	W	HWCW	MBD	EL	EHCL	F	EW	EHCW	EMBD
B	8 1/2	3/8	1/2	1 1/8	8 1/2	7	4 1/4	23/4	5/8	10	8	-	9	7 1/4	3/4
B2	8 1/2	3/8	5/8	1 3/8	9 1/2	7 1/2	5 1/4	3 1/2	5/8	10	8	-	9	7 1/4	3/4
C2	2 1/8	10	16	35	24	19	133	89	16	254	203	-	229	184	19
2-C2	8 1/2	3/8	5/8	1 3/8	14	12 1/4	5 1/4	3 1/2	5/8	14	12	-	11	9	7/8
4-C2	8 1/2	3/8	7/8	1 3/8	13	11	83/8	6 1/4	3/4	17	12	-	14	12	1 1/8
6-C2	9	1/2	1	1 5/8	16 1/2	14	83/8	6	1	27	-	12	15	12	1 1/8
9-C2	9 3/4	5/8	1	2	17	14 3/4	13	10 3/4	1	27	-	12	18	15	1 1/8

All springs without "+" have additional travel to solid equal to 50% of the rated deflection. All springs with "+" have additional travel to solid equal to 25% of the rated deflection.

Designs using these mounts to resist wind loads must be in accordance with ASCE 7-02.

Solid Spring Height = Free Height minus 1.5 times the Rated Deflection.

Housing load ratings expressed in G's are based on tests with bolted connections to steel top and bottom. SLRS housings require uniform support under entire base plate.