



MASON INDUSTRIES, Inc.

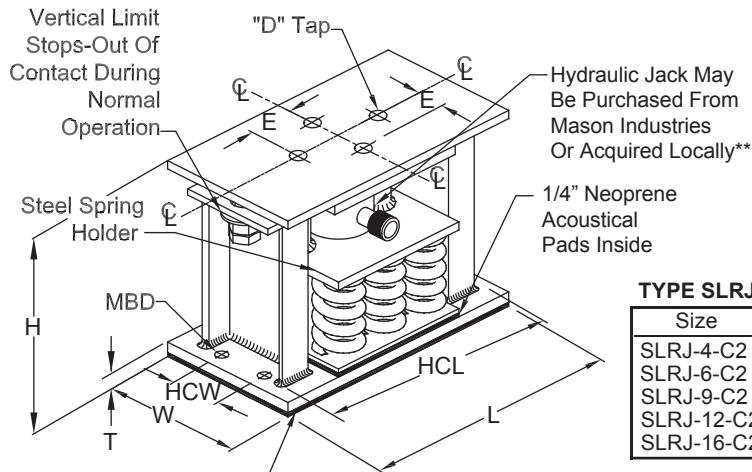
Manufacturers of Vibration Control Products

350 Rabro Drive 2101 W. Crescent Ave., Suite D
 Hauppauge, NY 11788 Anaheim, CA 92801
 631/348-0282 714/535-2727
 FAX 631/348-0279 FAX 714/535-5738
 Info@Mason-Ind.com • www.Mason-Ind.com

JOB NAME _____
 CUSTOMER _____
 CUSTOMER P.O. _____
 MASON M. _____
 DWG No. _____

SLRJ

2" Deflection
 4-C2 to 16-C2 Series
 Spring Mountings



Non-Skid Neoprene Friction Pad- When Not Using For Seismic Or Wind Resistance, Bolting To Floor Is Not Necessary

* With RED Inner Spring
 Solid Spring Height = Free Height minus 1.5 times the Rated Deflection.

** SLRJ Mounts Are Designed To Be Used With:
 Enerpac Model RCS-201
 Simplex Pine Model HLP20-1
 Or Equivalent Hydraulic Jack

SPRING DATA

Size	Spring OD (in)	Free Ht. (in)	Ratio Kx/Ky	Ratio OD/OH
C2	2 7/8	5	0.63-0.85	0.96-1.15

TYPE SLRJ DIMENSIONS (inches)

Size	D	E	H	L	T	W	HCL	HCW	MBD
SLRJ-4-C2	3/4	1 3/4	13 3/4	14 1/2	3/4	6	12 3/4	3	3/4
SLRJ-6-C2	3/4	1 3/4	13 3/4	16 1/2	3/4	6	14 1/2	3	3/4
SLRJ-9-C2	3/4	1 3/4	13 3/4	16 1/2	3/4	6 1/2	14 1/2	3	3/4
SLRJ-12-C2	3/4	1 3/4	13 3/4	19 1/2	3/4	9	17	3	3/4
SLRJ-16-C2	3/4	1 3/4	17 3/4	21 1/2	3/4	12	18 1/2	3	3/4

TYPE SLRJ RATINGS

Size	Standard Ratings					Ratings At 50% Additional Travel To Solid		
	Rated Capacity (lbs)	Rated Defl. (in)	Mount Constant (lbs/in)	Spring Color	Seismic "G" Rating	Capacity (lbs)	Defl. (in)	Seismic "G" Rating
SLRJ-4-C2-4840	4840	2.00	2420	Silver	.60	4040	1.67	.72
SLRJ-4-C2-6160	6160	2.00	3080	Gray*	.48	5145	1.67	.56
SLRJ-4-C2-7480	7480	2.00	3740	Silver*	.39	6245	1.67	.47
SLRJ-6-C2-7260	7260	2.00	3630	Silver	.50	6060	1.67	.60
SLRJ-6-C2-9240	9240	2.00	4620	Gray*	.39	7715	1.67	.47
SLRJ-6-C2-11220	11220	2.00	5610	Silver*	.32	9370	1.67	.39
SLRJ-9-C2-10890	10890	2.00	5445	Silver	.34	9090	1.67	.41
SLRJ-9-C2-13860	13860	2.00	6930	Gray*	.27	11570	1.67	.32
SLRJ-9-C2-16830	16830	2.00	8415	Silver*	.22	14050	1.67	.26
SLRJ-12-C2-14520	14520	2.00	7260	Silver	.26	12125	1.67	.31
SLRJ-12-C2-18480	18480	2.00	9240	Gray*	.21	15430	1.67	.24
SLRJ-12-C2-22440	22440	2.00	11220	Silver*	.17	18737	1.67	.20
SLRJ-16-C2-24640	24640	2.00	12320	Gray*	.22	20575	1.67	.27
SLRJ-16-C2-29920	29920	2.00	14960	Silver*	.18	24983	1.67	.22

PLAN VIEW OF MOUNT LOCATIONS

TAG: _____
 UNIT: _____



SPECIFIED DEFLECTION

1:	6:
2:	7:
3:	8:
4:	9:
5:	10:
Sets Required:	



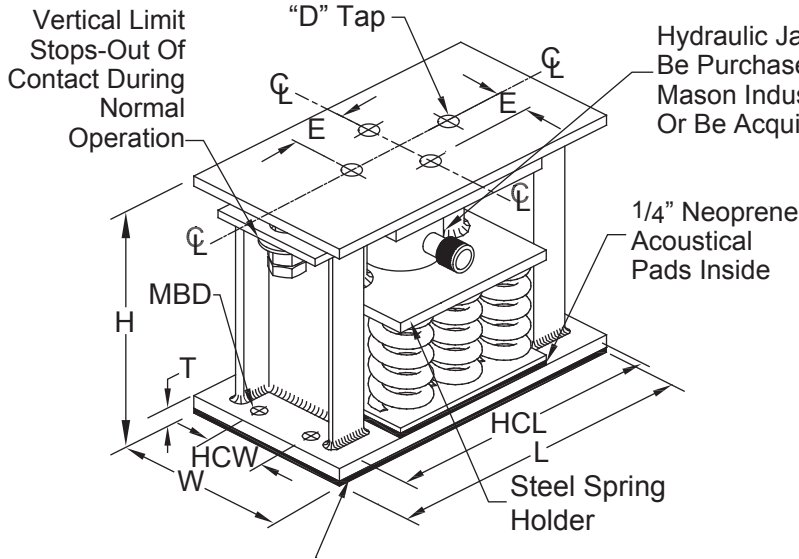
MASON INDUSTRIES, Inc.

Manufacturers of Vibration Control Products
 350 Rabro Drive 2101 W. Crescent Ave., Suite D
 Hauppauge, NY 11788 Anaheim, CA 92801
 631/348-0282 714/535-2727
 FAX 631/348-0279 FAX 714/535-5738
 Info@Mason-Ind.com Info@MasonAnaheim.com
 www.Mason-Ind.com

JOB NAME _____
 CUSTOMER _____
 CUSTOMER P.O. _____
 MASON M.I. _____
 DWG. NO. _____

SLRJ

1" Deflection
 4-24 Series
 Spring Mount



†SLRJ Mounts Are Designed To Be Used With:
 Enerpac Model RCS-502
 Simplex Pine Model HLP50-1
 Or Equivalent Hydraulic Jack

Non-Skid Neoprene Friction Pad-When Not Using for Seismic Or Wind Resistance, Bolting To Floor Is Not Necessary.

SPRING DATA

Size	Spring OD (in)	Free Ht. (in)	Ratio Kx/Ky	Ratio OD/OH
C	2 7/8	4 1/8	0.9-1.1	0.92

TYPE SLRJ DIMENSIONS (inches)

Size	L	W	H	T	D	E	HCL	HCW	MBD
SLRJ-4	14 1/2	6	12 3/4	3/4	5/8	1 3/8	13 1/4	3	5/8
SLRJ-6	16 1/2	6	12 3/4	3/4	5/8	1 3/8	14 1/2	3	5/8
SLRJ-9	16 1/2	9	12 3/4	3/4	3/4	1 3/4	14 1/2	3	3/4
SLRJ-12	19 1/2	9	12 3/4	3/4	3/4	1 3/4	17	3	3/4
SLRJ-16	19 1/2	12	12 3/4	3/4	3/4	1 3/4	17	3	3/4
SLRJ-20	24	13	12 3/4	3/4	3/4	1 3/4	20	3	1
SLRJ-24	27	13	12 3/4	3/4	3/4	1 3/4	23	3	1

TYPE SLRJ RATINGS

Size	Standard Ratings			
	Rated Capacity [lb]	Rated Defl. [in]	Mount Constant [lbs/in]	Spring Color/Stripe
SLRJ-4-5400	5400	1.00	5400	Yellow
SLRJ-4-7000	7000	1.00	7000	Black*
SLRJ-4-8400	8400	1.00	8400	Yellow*
SLRJ-4-9540	9540	1.00	9540	Yellow**
SLRJ-4-10600	10600	1.00	10600	Red*
SLRJ-4-11740	11740	1.00	11740	Red**
SLRJ-6-12600	12600	1.00	12600	Yellow*
SLRJ-6-14310	14310	1.00	14310	Yellow**
SLRJ-6-15900	15900	1.00	15900	Red*
SLRJ-6-17610	17610	1.00	17610	Red**
SLRJ-9-18900	18900	1.00	18900	Yellow*
SLRJ-9-21465	21465	1.00	21465	Yellow**
SLRS-9-23850	23850	1.00	23850	Red*
SLRJ-12-25200	25200	1.00	25200	Yellow*
SLRJ-12-28620	28620	1.00	28620	Yellow**
SLRJ-12-31800	31800	1.00	31800	Red*
SLRJ-16-33600	33600	1.00	33600	Yellow*
SLRJ-16-38160	38160	1.00	38160	Yellow**
SLRJ-16-42400	42400	1.00	42400	Red*
SLRJ-16-46960	46960	1.00	46960	Red**
SLRJ-20-53000	53000	1.00	53000	Red*
SLRJ-20-58700	58700	1.00	58700	Red**
SLRJ-24-63600	63600	1.00	63600	Red*
SLRJ-24-70440	70440	1.00	70440	Red**

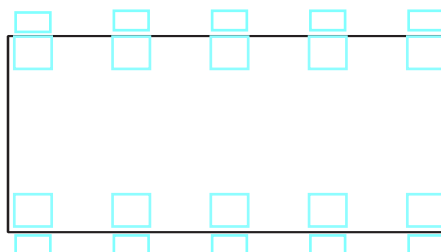
* With RED Inner Spring ** With GREEN Inner Spring

All springs have additional travel to solid equal to 50% of the rated deflection.

Solid Spring Height = Free Height minus 1.5 times the Rated Deflection.

PLAN VIEW OF MOUNT LOCATIONS

TAG : _____
 UNIT : _____



SPECIFIED DEFLECTION

1 :	6 :
2 :	7 :
3 :	8 :
4 :	9 :
5 :	10 :
Sets Required:	