



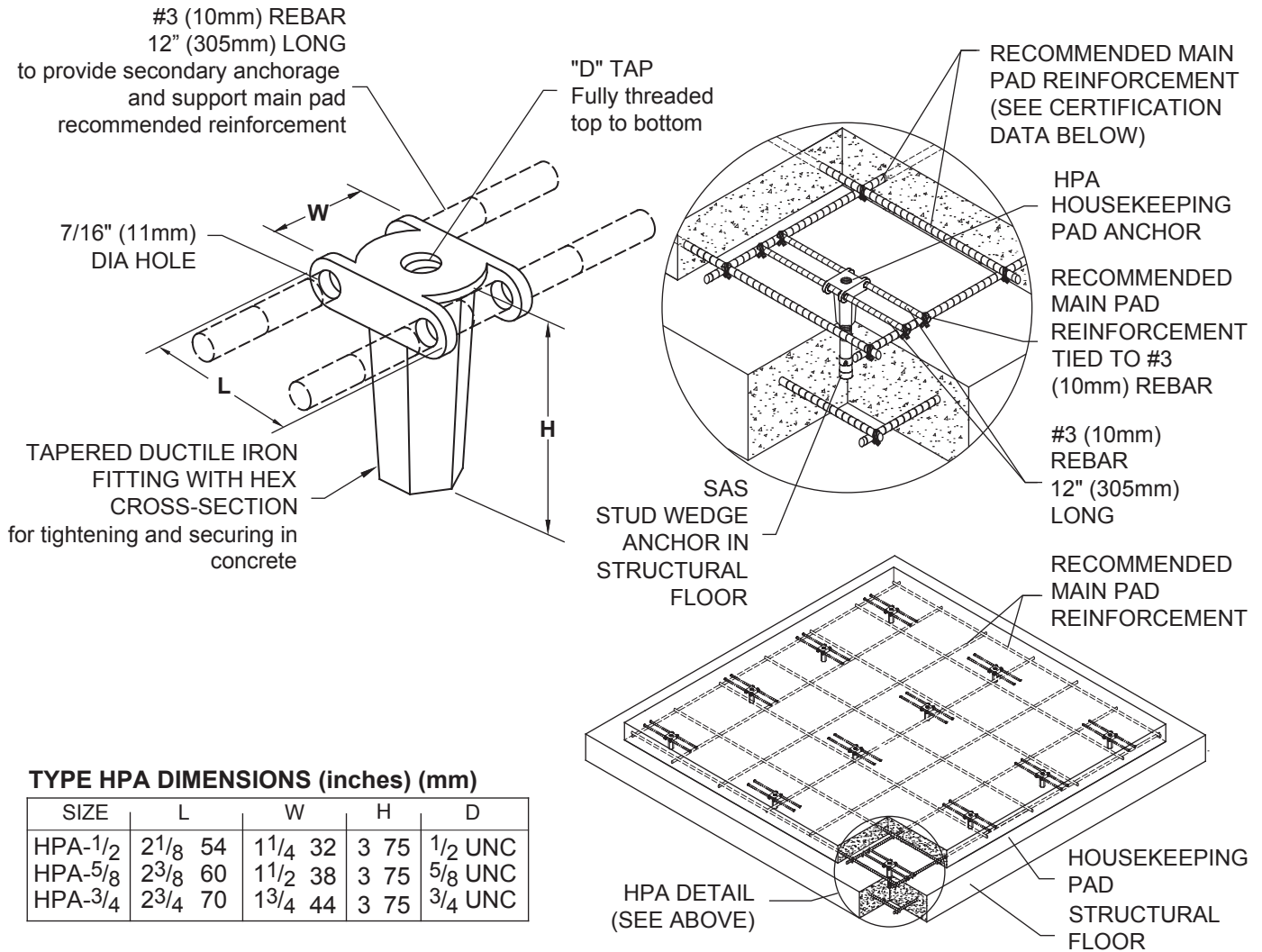
MASON INDUSTRIES, Inc.

Manufacturers of Vibration Control Products
 350 Rabro Drive 2101 W. Crescent Ave., Suite D
 Hauppauge, NY 11788 Anaheim, CA 92801
 631/348-0282 714/535-2727
 FAX 631/348-0279 FAX 714/535-5738
 Info@Mason-Ind.com Info@MasonAnaheim.com
 www.Mason-Ind.com

JOB NAME _____
 CUSTOMER _____
 CUSTOMER P.O. _____
 MASON M.I. _____
 DWG. NO. _____

HPA

HOUSEKEEPING
 PAD ANCHOR

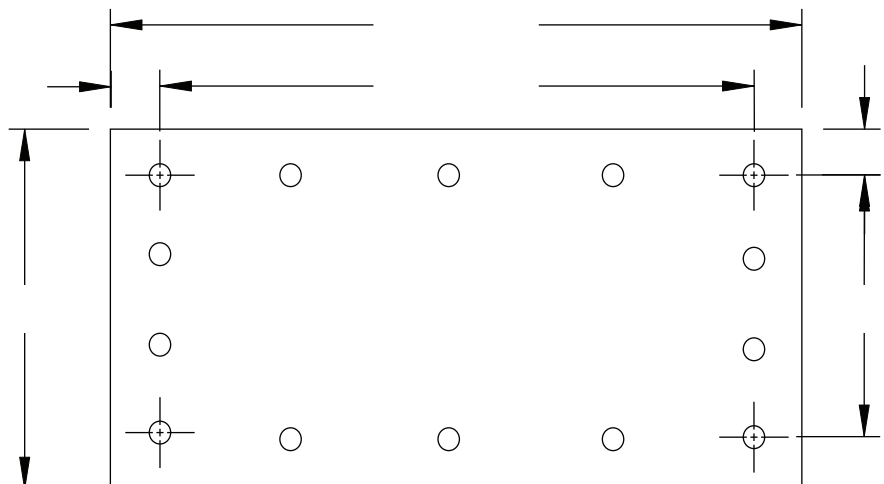


TYPE HPA DIMENSIONS (inches) (mm)

SIZE	L	W	H	D
HPA-1/2	21/8 54	11/4 32	3 75	1/2 UNC
HPA-5/8	23/8 60	11/2 38	3 75	5/8 UNC
HPA-3/4	23/4 70	13/4 44	3 75	3/4 UNC

PLAN VIEW OF HOUSEKEEPING PAD

TAG: _____
 UNIT: _____
 HPA Size _____
 No. of HPA _____
 Recommended Reinforcing _____
 Housekeeping
 Pad Thickness _____



Minimum Housekeeping
 Pad Thickness of 4" (102mm)

FORM S-290 09/2008

DWN:

CHKD:

DATE:

DWG. No.