



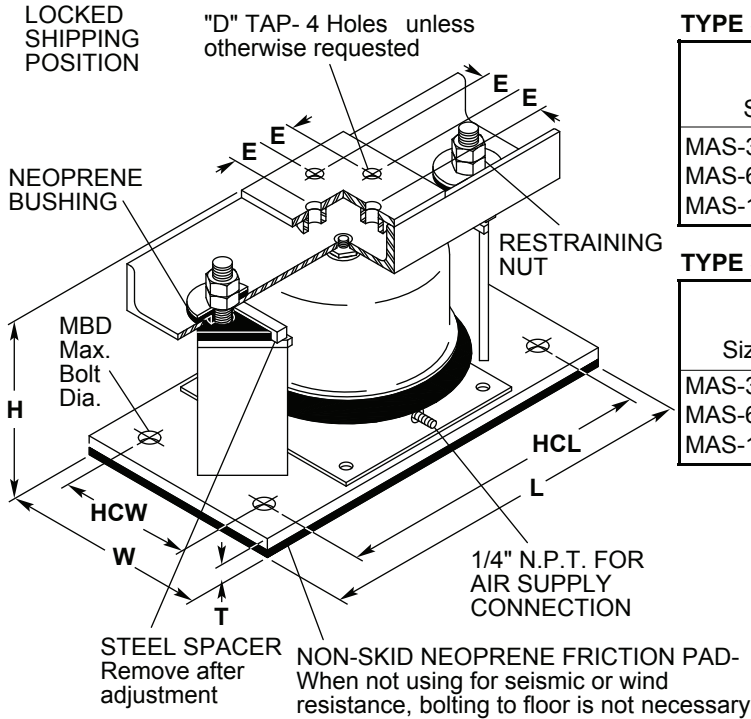
MASON INDUSTRIES, Inc.

Manufacturers of Vibration Control Products
 350 Rabro Drive 2101 W. Crescent Ave., Suite D
 Hauppauge, NY 11788 Anaheim, CA 92801
 631/348-0282 714/535-2727
 FAX 631/348-0279 FAX 714/535-5738
 Info@Mason-Ind.com Info@MasonAnaheim.com
 www.Mason-Ind.com

JOB NAME _____
 CUSTOMER _____
 CUSTOMER P.O. _____
 MASON M.I. _____
 DWG. NO. _____

SLR-MAS

ROLLING LOBE
 AIR SPRING
 MOUNTS



TYPE SLR-MAS RATINGS

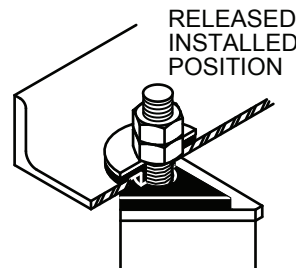
| Size | Min Load @ 10 psi (lbs) | Max Recommended Load @ 80 psi (lbs) | Max Load @ 100 psi (lbs) | Approximate Frequency CPM Hertz |
|-----------|-------------------------|-------------------------------------|--------------------------|---------------------------------|
| MAS-3000 | 300 | 2400 | 3000 | 84 1.4 |
| MAS-6800 | 680 | 5440 | 6800 | 84 1.4 |
| MAS-12000 | 1200 | 9600 | 12000 | 78 1.3 |

TYPE SLR-MAS METRIC RATINGS

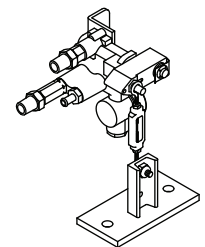
| Size | Min Load @ 0.7 kg/cm ² (kg) | Max recom -mended Load @ 5.6 kg/cm ² (kg) | Max Load @ 7 kg/cm ² (kg) | Approximate Frequency CPM Hertz |
|-----------|--|--|--------------------------------------|---------------------------------|
| MAS-3000 | 136 | 1088 | 1360 | 84 1.4 |
| MAS-6800 | 309 | 2472 | 3090 | 84 1.4 |
| MAS-12000 | 545 | 4360 | 5455 | 78 1.3 |

NOTE: Air Springs should be selected for 80% of maximum capacity to allow for errors in published weights or weight distribution.

CAUTION: Never inflate Air Springs prior to installation.



See Certification Sheet S-302 for additional information



All Air Spring Systems must be installed with Leveling Valves and Air Supply Systems.

TYPE SLR-MAS DIMENSIONS (inches)

| Size | D | E | H | L | T | W | HCL | HCW | MBD |
|---------------|-----|-------|--------|--------|-----|----|--------|-------|-----|
| SLR-MAS-3000 | 3/4 | 1 3/8 | 11 1/4 | 13 | 3/8 | 7 | 11 | 4 1/4 | 5/8 |
| SLR-MAS-6800 | 3/4 | 1 3/8 | 11 1/4 | 17 | 1/2 | 10 | 15 | 7 | 5/8 |
| SLR-MAS-12000 | 3/4 | 1 3/8 | 11 1/4 | 21 3/4 | 1/2 | 14 | 18 3/4 | 7 | 5/8 |

TYPE SLR-MAS DIMENSIONS (mm)

| Size | D | E | H | L | T | W | HCL | HCW | MBD |
|---------------|----|----|-----|-----|----|-----|-----|-----|-----|
| SLR-MAS-3000 | 19 | 35 | 286 | 330 | 10 | 178 | 280 | 114 | 16 |
| SLR-MAS-6800 | 19 | 35 | 286 | 432 | 13 | 254 | 380 | 178 | 16 |
| SLR-MAS-12000 | 19 | 35 | 286 | 552 | 13 | 355 | 476 | 178 | 16 |

PLAN VIEW OF MOUNT LOCATION:

TAG : _____
 UNIT : _____



| | |
|----------------|------|
| 1 : | 6 : |
| 2 : | 7 : |
| 3 : | 8 : |
| 4 : | 9 : |
| 5 : | 10 : |
| Sets Required: | |