



MASON INDUSTRIES, Inc.

Manufacturers of Vibration Control Products

350 Rabro Drive 2101 W. Crescent Ave., Suite D
 Hauppauge, NY 11788 Anaheim, CA 92801
 631/348-0282 714/535-2727
 FAX 631/348-0279 FAX 714/535-5738
 Info@Mason-Ind.com • www.Mason-Ind.com

BOLT ISOLATION WASHER BUSHINGS

HANGER MOUNT ISOLATED BUSHING

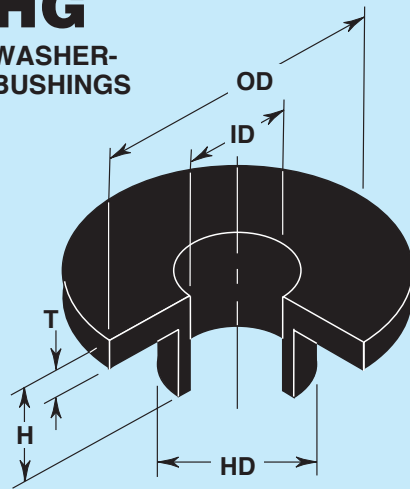
HG

HMIB

DATA SHEET DS-405-5.1A

HG

WASHER- BUSHINGS

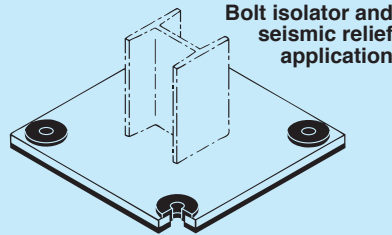


Material:
Bridge-Bearing
Neoprene

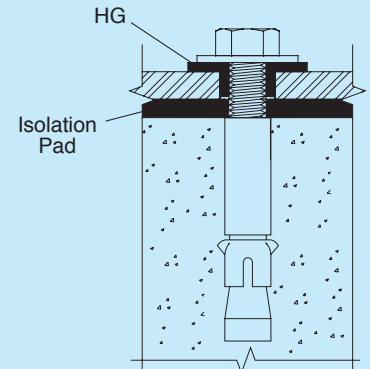
BRIDGE-BEARING NEOPRENE SPECIFICATIONS

ORIGINAL PHYSICAL PROPERTIES			TESTED FOR AGING			(d) OZONE 1 ppm in air by Vol.20% Strain 100°F(38°C)	COMPRESSION SET (e) 22hrs 150°F(66°C) Method B
(a) Duro- meter	(b) Tensile Strength (min)	(b) Elongat. at Break (min)	(c) OVEN AGING(70h/212°F)	(c) Hard- ness at Break (max)	(c) Tensile Strength at Break (max)		
40±5	2000 psi	140 kg/cm ²	450%	+15%	±15%	-40%	30%(max)
50±5	2500 psi	176 kg/cm ²	400%	+15%	±15%	-40%	25%(max)
60±5	2500 psi	176 kg/cm ²	350%	+15%	±15%	-40%	25%(max)

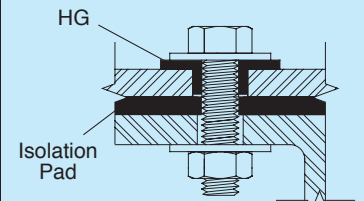
(a)ASTM D-676
 (b)ASTM D-412
 (c)ASTM D-573
 (d)ASTM D-1149
 (e)ASTM D-395



HG Washer Bushings may be used without isolation pads to limit bolt shear from impact.



Steel to Concrete Detail



Steel to Steel Detail

TYPE HG DIMENSIONS

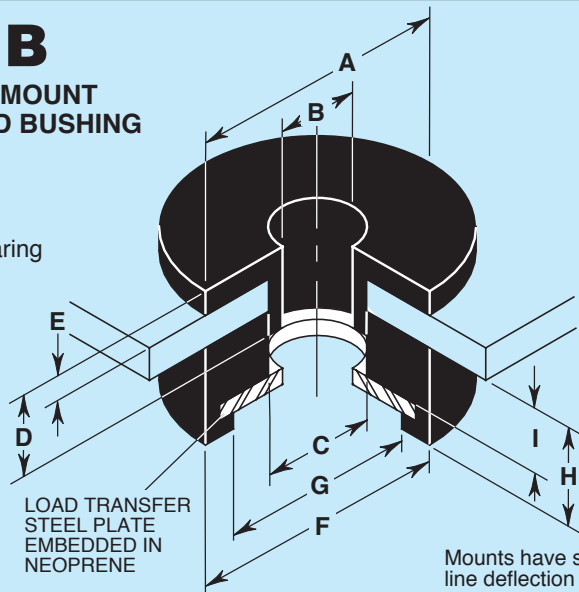
Size	Bolt Dia.* (in) (mm)	Allowable Shear Load in a Steel to Steel Connection		Allowable Tension Load in a Steel to Steel Connection		ID (in) (mm)	HD (in) (mm)	OD (in) (mm)	T (in) (mm)	H (in) (mm)
		(lbs) (kgs)	(kgs)	(lbs) (kgs)	(kgs)					
HG-25	1/4 6	490	2.2	980	4.4	1/4 6	1/2 13	1 25	1/8 3	3/8 10
HG-38	3/8 10	1100	4.9	2200	9.8	3/8 10	5/8 16	1 1/4 32	1/8 3	1/2 13
HG-50	1/2 13	1960	8.7	3920	17.4	1/2 13	3/4 19	1 5/8 41	1/8 3	1/2 13
HG-63	5/8 16	3070	13.6	6140	27.2	5/8 16	7/8 22	2 51	3/16 5	5/8 16
HG-75	3/4 19	4420	19.7	8840	39.4	3/4 19	1 25	2 1/4 57	3/16 5	5/8 16
HG-100	1 25	7850	34.9	15700	69.8	1 25	1 1/4 32	2 3/4 70	1/4 6	7/8 22
HG-125	1 1/4 32	12270	54.6	24540	109.2	1 1/4 32	1 1/2 38	3 1/4 83	1/4 6	7/8 22
HG-150	1 1/2 38	17670	78.6	35340	157.2	1 1/2 38	1 3/4 45	3 3/4 95	1/4 6	1 25

* Retention strength based on diameter of anchor bolt and anchoring method.

HMIB

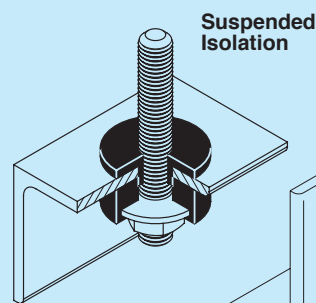
HANGER MOUNT ISOLATED BUSHING

Material:
Bridge-Bearing
Neoprene

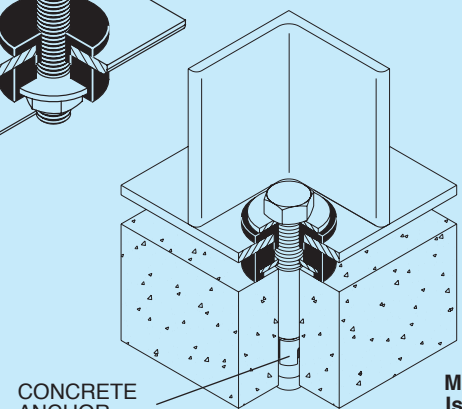


LOAD TRANSFER
STEEL PLATE
EMBEDDED IN
NEOPRENE

Mounts have straight
line deflection curves.



Suspended
Isolation



CONCRETE
ANCHOR

Used for
Suspended or
Floor Mounted
Equipment

Floor
Mounted
Isolation

TYPE HMIB DIMENSIONS (inches mm)

Size	A	B	C	D	E	F	G	H	I	Rated Load (lbs) (kgs)	Rated Defl (in) (mm)
HMIB-1/4	1 25	1/4 6	1/2 13	3/8 10	1/8 3	1 1/2 38	1 25	1/2 13	3/8 10	60 27	.075 1.9
HMIB-3/8	1 1/4 32	3/8 10	5/8 16	1/2 13	1/8 3	1 3/4 45	1 1/4 32	5/8 16	1/2 13	70 32	.095 2.4
HMIB-1/2	1 5/8 41	1/2 13	3/4 19	1/2 13	1/8 3	1 3/4 45	1 1/4 32	5/8 16	1/2 13	100 45	.095 2.4
HMIB-5/8	2 51	5/8 16	7/8 22	5/8 16	3/16 5	2 51	1 1/2 38	3/4 19	1/2 13	120 54	.110 2.8



MASON INDUSTRIES, Inc.

Manufacturers of Vibration Control Products

350 Rabro Drive
Hauppauge, NY 11788
631/348-0282
FAX 631/348-0279

2101 W. Crescent Ave., Suite D
Anaheim, CA 92801
714/535-2727
FAX 714/535-5738

Info@Mason-Ind.com • www.Mason-Ind.com

PANEL BOARD MOUNT

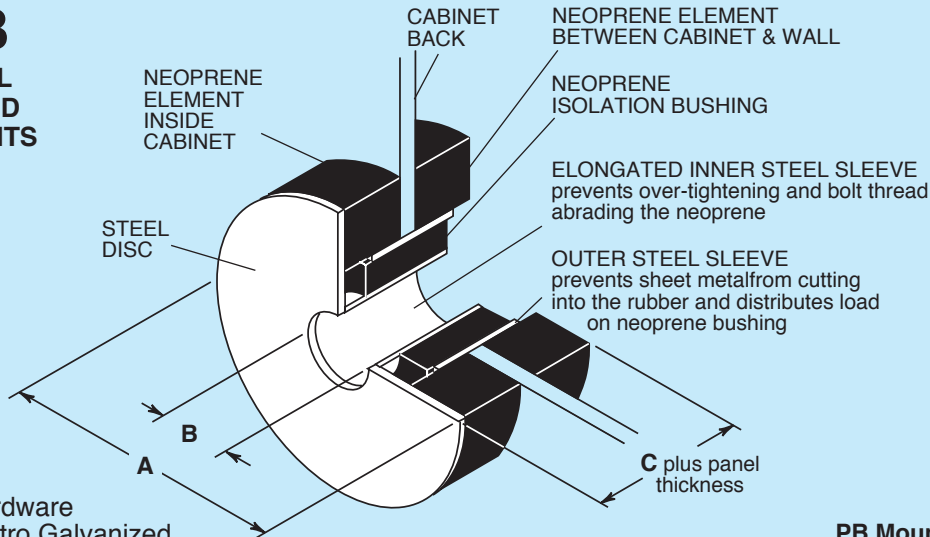
PB

NEOPRENE IMPREGNATED DUCK BUSHINGS & DUCK WASHERS

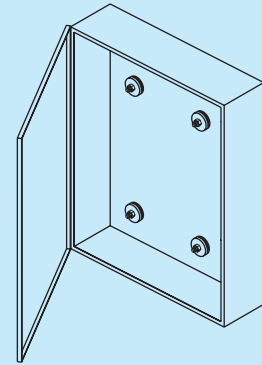
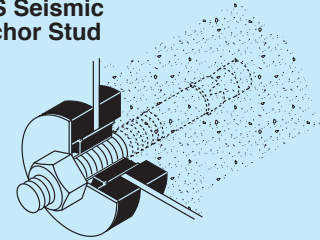
HLB & HLW

DATA SHEET DS-405-5.1B

PB PANEL BOARD MOUNTS



PB Mount with SAS Seismic Anchor Stud



All Hardware
is Electro Galvanized.
All Neoprene is
Bridge Bearing quality.

PB Mounts
Installed in
Cabinet

BRIDGE-BEARING NEOPRENE SPECIFICATIONS

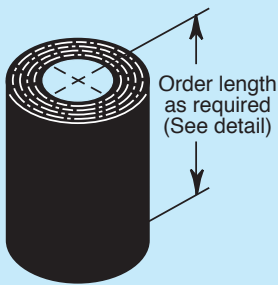
ORIGINAL PHYSICAL PROPERTIES		TESTED FOR AGING			COMPRESSION SET (e)		
(a) Duro-meter	(b) Tensile Strength (min)	(b) Elongat. at Break (min)	(c) OVEN AGING (70H/212°F)	(d) OZONE 1 ppm in air by Vol.20% Strain 100°F(38°C)			
40±5	2000 psi	140 kg/cm ²	450%	+15% ±15%	-40%	No Cracks	30%(max)
50±5	2500 psi	176 kg/cm ²	400%	+15% ±15%	-40%	No Cracks	25%(max)
60±5	2500 psi	176 kg/cm ²	350%	+15% ±15%	-40%	No Cracks	25%(max)

TYPE PB CAPACITY and DIMENSIONS

Size	Rated Capacity (lbs) (kgs)	A Dia. (in)(mm)	B Dia. (in)(mm)	C Dia. (in)(mm)	Hole Size to be Drilled in Panel Board (in)(mm)	Bolt Dia. (in)(mm)
PB-150	20 9	11/2 38	5/16 8	3/4 19	1 25	1/4 6
PB-175	35 16	13/4 44	7/16 11	7/8 22	1 1/8 29	3/8 10
PB-225	75 34	2 1/4 57	9/16 14	1 1/8 29	1 1/4 32	1/2 13

(a)ASTM D-676 (b)ASTM D-412 (c)ASTM D-573 (d)ASTM D-1149 (e)ASTM D-395

HLB NEOPRENE IMPREGNATED DUCK BUSHINGS

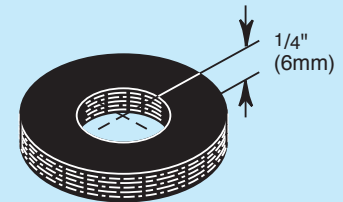


HLB DIMENSIONS

Type	Nominal Size & Bolt Dia. (in) (mm)	Standard Bushing ID x OD* (in) (mm)
HLB-	3/8 10	13/32 x 7/8 12 x 22
	1/2 13	17/32 x 1 15 x 25
	5/8 16	21/32 x 1 1/8 18 x 29
	3/4 19	25/32 x 1 1/4 21 x 32
	7/8 22	29/32 x 1 3/8 24 x 35
	1 25	11/32 x 1 1/2 27 x 38
	1 1/8 29	15/32 x 1 5/8 31 x 41
	1 1/4 32	19/32 x 1 3/4 34 x 44
	1 1/2 38	117/32 x 2 40 x 51
	1 3/4 44	125/32 x 2 1/4 46 x 57
2 51	21/32 x 2 1/2 53 x 64	

*Order length as required.
Maximum length is 19".

HLW NEOPRENE IMPREGNATED DUCK WASHERS



HLW DIMENSIONS AND RATINGS

Type	Nominal Size & Bolt Dia. (in) (mm)	Washer Size ID x OD (in) (mm)
HLW-	3/8 10	7/16 x 1 11 x 25
	1/2 13	9/16 x 1 3/8 14 x 35
	5/8 16	1 1/16 x 1 3/4 17 x 44
	3/4 19	1 3/16 x 2 21 x 51
	7/8 22	1 5/16 x 2 1/4 24 x 57
	1 25	1 11/16 x 2 1/2 27 x 64
	1 1/8 29	1 1/4 x 2 3/4 32 x 70
	1 1/4 32	1 3/8 x 3 35 x 76
	1 1/2 38	1 5/8 x 3 1/2 41 x 89
	1 3/4 44	1 7/8 x 4 48 x 102
2 51	2 1/8 x 4 1/2 54 x 114	

Custom sizes and thicknesses as needed.
Washers may be square.

