



MASON INDUSTRIES, Inc.

MERCER RUBBER Co.

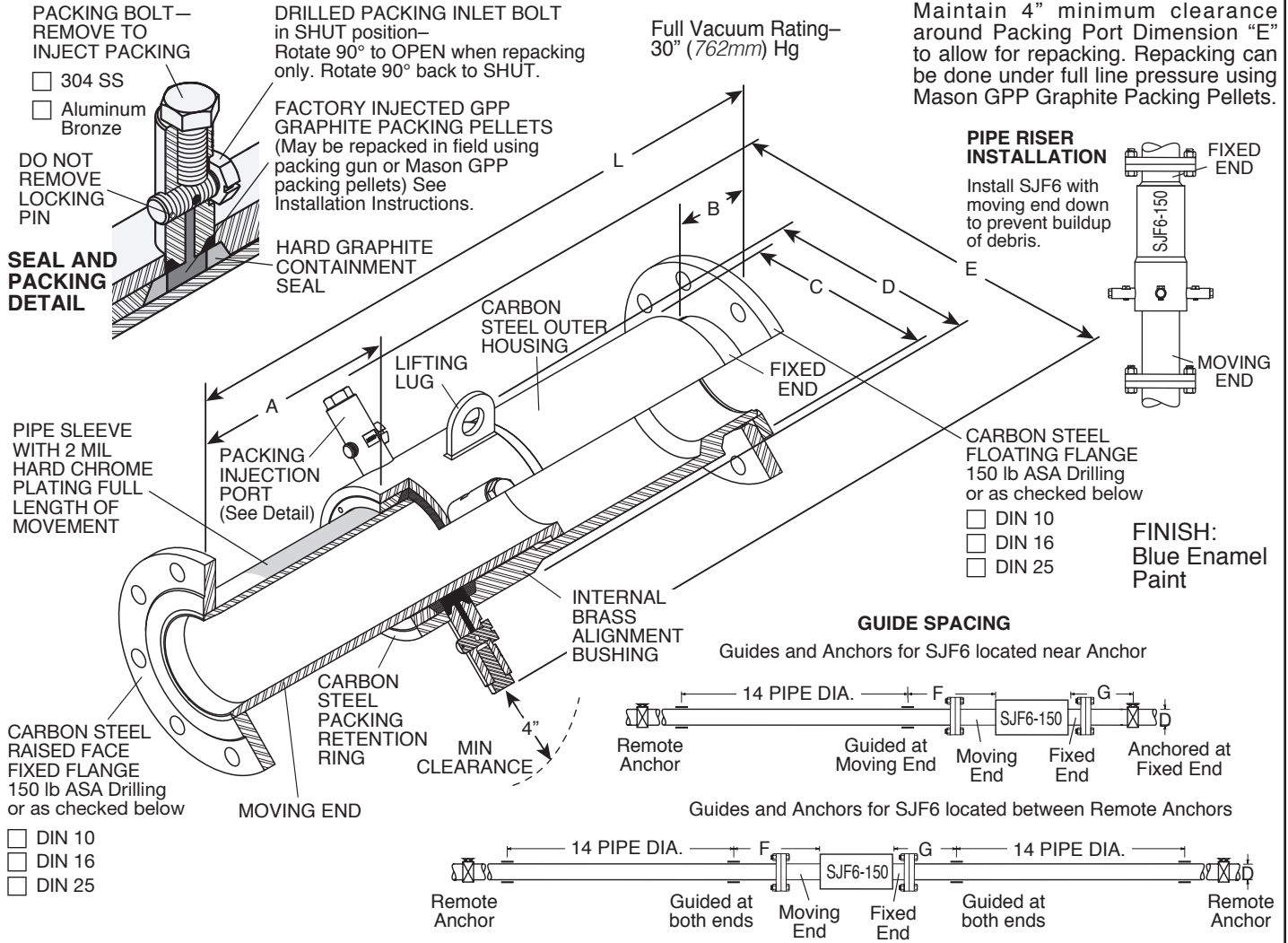
350 Rabro Drive, Hauppauge, NY 11788
 Mason- 631/348-0282 • Info@Mason-Ind.com
 Mercer- 631/582-1524 • Info@Mercer-Rubber.corr.
 FAX 631/348-0279



JOB NAME _____
 CUSTOMER _____
 CUSTOMER P.O. _____
 MASON M. _____
 DWG No. _____

SJF6-150

6" (150mm) Compression
 1" (25mm) Extension
**SLIP JOINT with
 CARBON STEEL
 150# FIXED and
 FLOATING FLANGES**



SJF6-150 DIMENSIONS AND PRESSURE RATINGS (American & Metric Units) 6" (150mm) COMPRESSION, 1" (25mm) EXTENSION
 All dimensions below are for these movements. SJF6-150 can be precompressed for chilled water applications.

Pipe Size (in) (mm)	Overall Length (in) (mm)	A (in) (mm)	B (in) (mm)	C (in) (mm)	D (in) (mm)	E (in) (mm)	F (in) (mm)	G (in) (mm)	Friction Force (lbs) (kgs)	Thrust Force* @ 250 psi 17 bar (lbs) (kgs)	Rated Pressure @ 480°F 250°C (psi) (kg/cm ²)	No. of Ports	
2	50	257/8 657	91/2 241	13/4 45	3 76	33/4 95	101/4 261	16 406	8 203	1102 500	725 329	250 17	2
2 1/2	65	261/4 667	91/2 241	13/4 45	33/4 95	41/2 114	11 279	16 406	10 254	1281 581	1220 553	250 17	2
3	80	263/4 679	91/2 241	13/4 45	41/2 114	51/4 133	113/4 298	16 406	10 254	1596 724	1970 893	250 17	2
4	100	27 686	91/2 241	2 50	53/4 146	61/4 159	123/4 324	16 406	12 305	1956 887	2910 1320	250 17	4
5	125	283/8 722	93/4 248	21/4 57	65/8 168	75/8 194	141/8 359	16 406	14 356	2743 1244	4750 2155	250 17	4
6	150	29 737	93/4 248	23/8 60	8 203	85/8 219	151/8 384	16 406	16 406	3754 1703	6850 3107	250 17	6
8	200	291/4 743	93/4 248	21/2 64	101/4 260	107/8 273	173/8 441	18 457	18 457	4811 2182	12160 5156	250 17	6
10	250	301/8 765	97/8 251	25/8 67	121/4 310	127/8 325	193/8 492	22 559	22 559	6879 3120	19780 8972	250 17	8
12	300	313/8 772	97/8 251	27/8 73	143/8 365	147/8 377	213/8 542	24 610	24 610	8093 3671	28720 13027	250 17	8
14	350	323/4 832	97/8 251	27/8 73	155/8 395	161/8 410	225/8 575	28 711	28 711	9015 4089	34350 15581	250 17	10

*Lower Thrust Forces in proportion at lower pressures, i.e. 100 psi Force = 100/250 x published Thrust. Forces on Pipe Anchors must include Thrust Force and Friction Force. Friction Force is constant regardless of travel.
 SJ's installed in piping systems must be anchored on both sides of the joint. SJ's installed in unanchored piping must have control rods.

QTY	SIZE	TAG	QTY	SIZE	TAG