



MASON INDUSTRIES, Inc.

MERCER RUBBER Co.

350 Rabro Drive, Hauppauge, NY 11788
 Mason- 631/348-0282 • Info@Mason-Ind.com
 Mercer- 631/582-1524 • Info@Mercer-Rubber.com
 FAX 631/348-0279

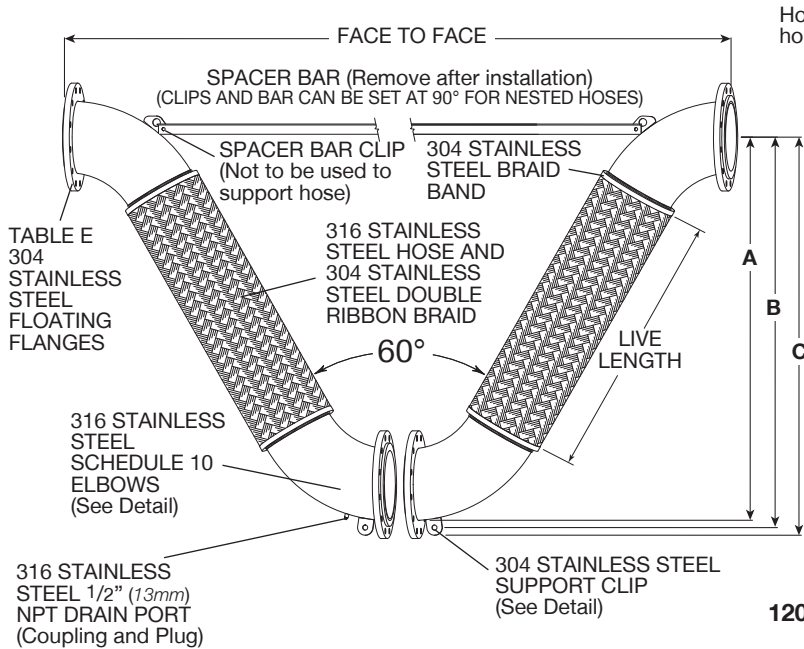


JOB NAME NEW ROYAL ADELAIDE HOSPITAL
 CUSTOMER MASON-MERCER AUSTRALIA
 CUSTOMER P.O. 71978
 MASON M. 537984
 DWG No. F-472374

VFLS

SPLIT 60°
 SS DOUBLE RIBBON
 BRAIDED HOSE with
 STAINLESS STEEL
 FLOATING FLANGES

Contractor mating flange face to face tolerance: $\pm 1/4"$ (6mm)



Hole for chain hoist when rigging

304 STAINLESS STEEL PLATE FLANGES

Pipe Size		Flange Thickness	
(in)	(mm)	(in)	(mm)
24	600	1 1/2	38

CLIP THICKNESS

304 STAINLESS STEEL SUPPORT CLIP

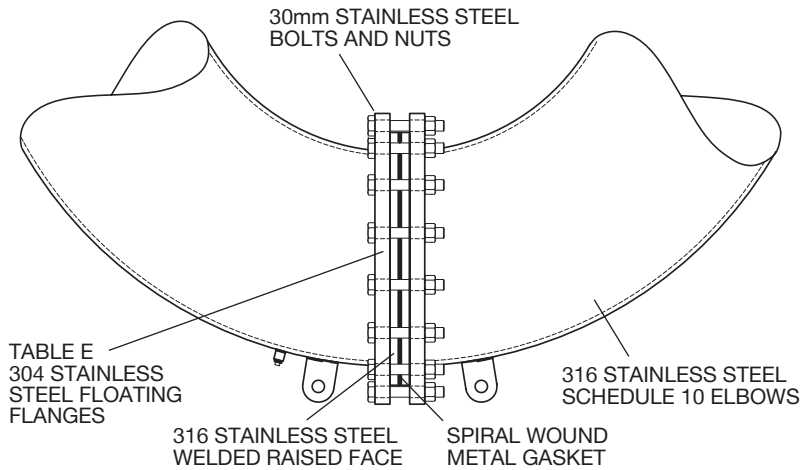
Pipe Size		SUPPORT CLIP			
(in)	(mm)	Hole Diameter (in)	Thickness (mm)	(in)	(mm)
24	600	13/8	35	1	25

SUPPORT CLIP DETAIL

Drain Plugs are often removed to allow attachment of drain hose or steam trap for blow down or drainage.

Consult factory with full location description as well as service conditions for higher pressure or temperature applications.

120° ELBOW FLANGE BOLTING DETAIL



RATED MOVEMENTS

$\pm 6 1/4"$ (156mm) All Directional Seismic Movement

VFLS DIMENSIONS AND PRESSURE RATINGS (American Units)

Type	Pipe Size & Face to Face (in)	Live Length (in)	Corrugations per foot	A	B	C	Rated Pressure @70°F (psi)
				(in)	(in)	(in)	
VFLS	24 X 203 1/4	72	11	115 1/2	118	119 1/2	145

Minimum Burst is four times the Rated Pressure.

VFLS DIMENSIONS AND PRESSURE RATINGS (Metric Units)

Type	Pipe Size & Face to Face (mm)	Live Length (mm)	Corrugations per meter	A	B	C	Rated Pressure @21°C (kg/cm²)
				(mm)	(mm)	(mm)	
VFLS	600 X 5163	1829	36	2934	2994	3035	10.2

QTY	SIZE	TAG
6	VFLS-24 x 203 1/4	CONDENSER WATER

QTY	SIZE	TAG